

**DESCRIPTION**

The M52770SP is a single chip CTV processor which has VIF/SIF, luminance, chrominance, mono sound, OSD display, RGB interface, and deflection.

And it is possible to control each parameters by I<sup>2</sup>C bus. A baseband 1H delay line is built-in, and conjunction with SECAM decoder M52325AP simplifies multi system CTV chassis.

**FEATURES**

- Built-in 1H Delay Line using Bi-CMOS technology
- Multistandard PLL demodulator for IF
- Alignment - free sound demodulator
- Flexible source selection with internal CVBS and external CVBS or Y/C input signal
- Audio switch integrated
- Integrated chroma trap and bandpass filters with auto-calibration
- Luminance delay line integrated
- RGB control circuit with cut-off and drive
- Linear RGB inputs and fast blanking
- Horizontal synchronaization with two control loops and alignment-free H-oscillator
- Vertical count-down circuit
- Vertical saw tooth generator integrated
- I<sup>2</sup>C Bus control of various functions
- Easy interfacing with SECAM decoder for multistandard applications
- Small amount of peripheral components

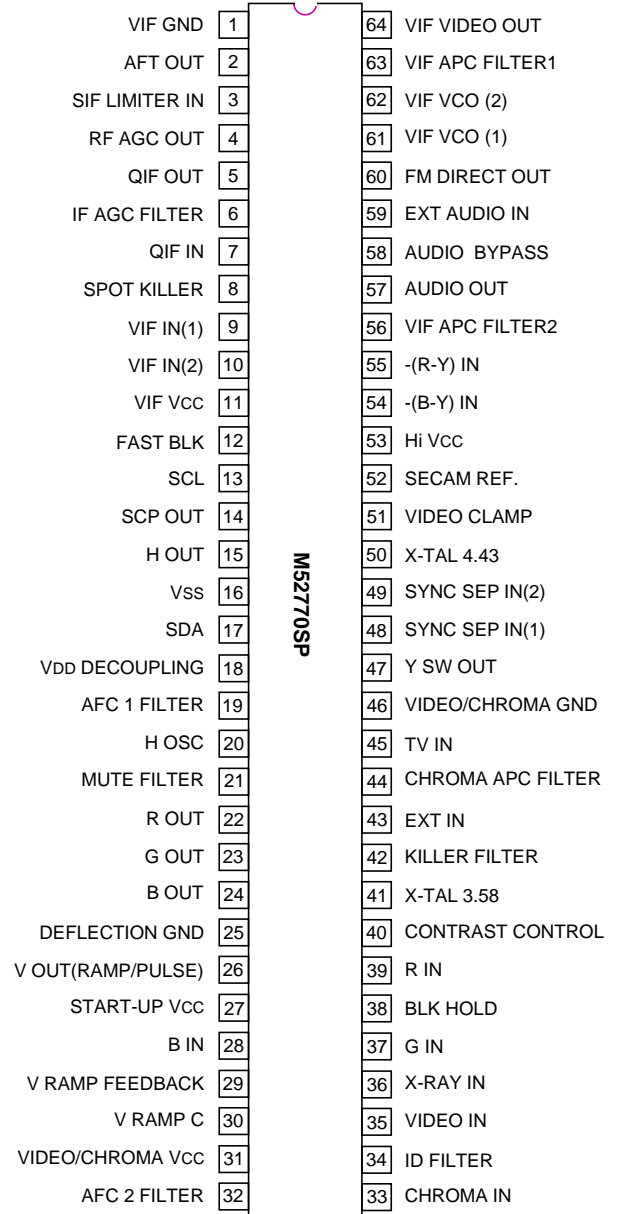
**APPLICATION**

NTSC/PAL TELEVISION

**QUICK REFERENCE DATA**

- Supply voltage pin11(VIF), pin31(video/chroma)..... 5.0V  
pin27(Start-up), pin53(Output Stage)..... 9.0V
- Supply current pin11 and pin31..... 107mA  
pin27 and pin53..... 56mA
- Input signals VIF input sensitivity..... 47dBμ  
SIF limiting sensitivity..... 40dBμ  
External audio input..... 1VP-P  
External CVBS/Y inputs..... 1VP-P  
External chroma input (burst amplitude)..0.3VP-P  
External RGB inputs..... 0.7VP-P  
Fast blanking Internal TV..... 0 to 0.8V  
External RGB..... 1.2 to 3.3V  
Harf Tone..... 3.7 to 5V  
-(R-Y) input..... 1.05VP-P  
-(B-Y) input..... 1.33VP-P

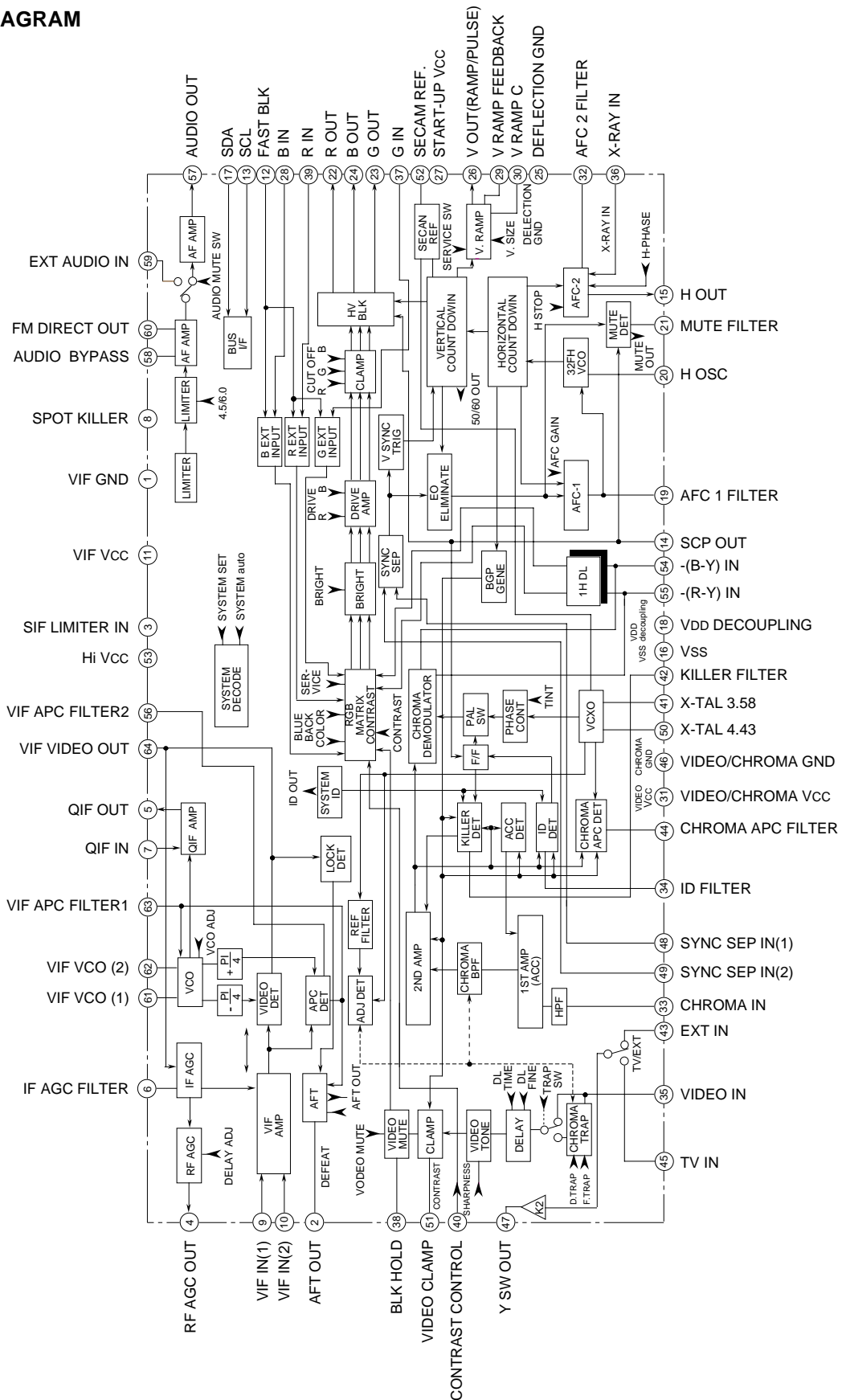
**PIN CONFIGURATION (TOP VIEW)**



Outline 64P4B

- Output signals VIF CVBS det out..... 2.2VP-P  
RF AGC output range..... 0.3 to 8.7V  
Video switch out..... 2.1VP-P  
RGB output Pedestal voltage..... 2.2V  
amplitude..... 4.2VP-P  
Horizontal output amplitude..... 4.0VP-P  
Vertical ramp amplitude..... 2.0VP-P

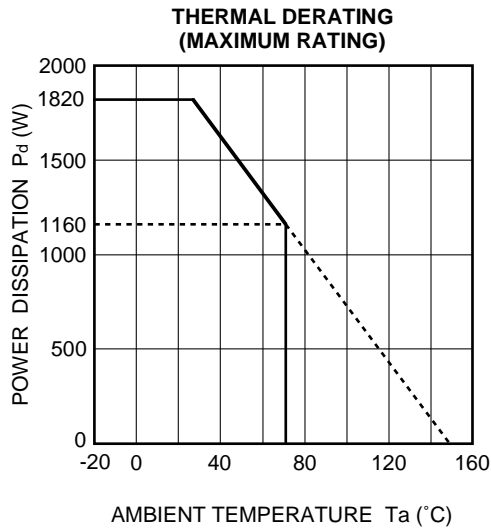
BLOCK DIAGRAM



**ABSOLUTE MAXIMUM RATINGS**

Symbol	Parameter	Ratings	Unit
V <sub>cc</sub>	Supply voltage	0.0, 10.0	V
P <sub>d</sub>	Power dissipation	1815	mW
K <sub>θ</sub>	Thermal derating	14.52	mW/°C
T <sub>opr</sub>	Operating temperature	-20 to +70	°C
T <sub>stg</sub>	Storage temperature	-40 to +125	°C

**TYPICAL CHARACTERISTICS**



APPLICATION EXAMPLE

