

# MITSUBISHI ICs (COMMUNICATION)

## M64821FP

1 CHIP SYNTHESIZER & MODULATOR FOR PHS

### DESCRIPTION

The M64821FP is a semiconductor consisting of PLL and Modulator.

Using Bi-CMOS technology, it contains dual PLL (1.8GHz, 550MHz), a mixer for 2nd IF, transistor for VCO, modulator and Up-converter on chip.

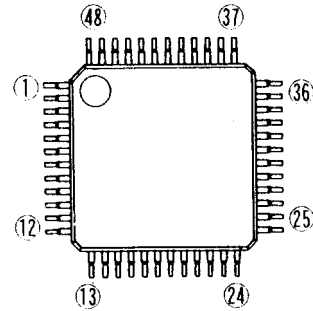
### FEATURES

- Built-in 2nd mixer and RSSI
- Vcc=2.7 to 3.6V
- Icc= TYP.41mA (TX.), TYP.23mA (RX.)
- Built-in high accuracy phase shifter (CR type)
- Large Output (-13dBm type)
- Attenuator for Gain Control
- Gain characteristics with temperature dependent
- Built-in transistor and Buffer for 2nd Local VCO
- Built-in Buffer for 1.6GHz VCO
- Small Package (48pin QFP, lead pitch 0.5mm)

### APPLICATION

Digital cordless phone (PHS)

PIN CONFIGURATION (TOP VIEW)



Outline 48P6D

### BLOCK DIAGRAM

