

MF1018S-2

FOR DIGITAL MOBILE TELEPHONE, Tx

MF1018S-2

DESCRIPTION

This SAW filter for the transmitting RF circuit of digital mobile communication equipment operating at 940 MHz ~ 960 MHz.

FEATURES

1. SMD package insures small size, lightweight.
2. Adjustment free.
3. Low insertion loss and high stop band attenuation.
4. Wide and sharp passband characteristics.
5. High stability and reliability.
6. Designed for reflow solderings.

APPLICATION

- Mobile Cellular Telephone
- Portable Cellular Telephone
- Wireless equipment

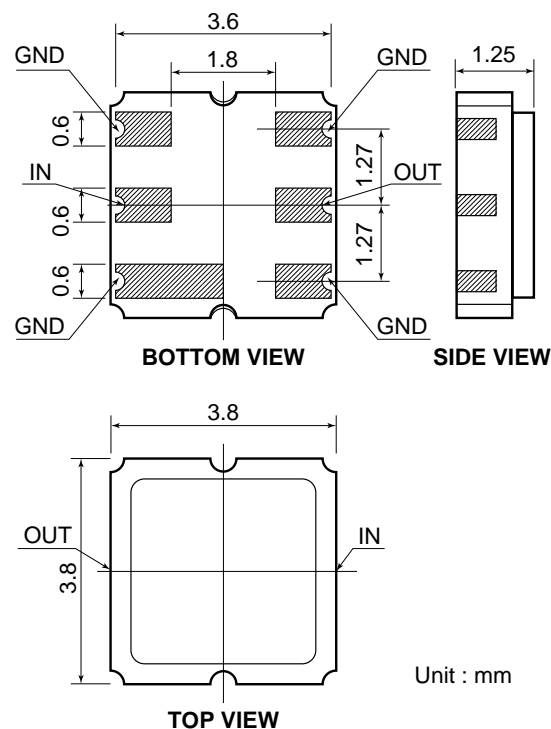
MAXIMUM RATINGS

Rating	Value	Unit
Input Power	100	mW
Operating Temperature Range	-20 to 75	°C
Storage Temperature Range	-30 to 85	°C

ELECTRICAL PERFORMANCE

Parameter	MF1018S-2			Units
	Min	Typ	Max	
PASSBAND FREQUENCY	940 – 960			MHz
PASSBAND CHARACTERISTICS	Insertion Loss	3.0	3.9	dB
	Ripple	0.5	1.5	
	VSWR	1.7	2.5	
STOPBAND ATTENUATION	0 – 790 MHz	30	40	dB
	790 – 880 MHz	28	32	
	1010 – 1060 MHz	28	30	
	1060 – 1600 MHz	30	32	

PACKAGE OUTLINE DIMENSIONS



DIMENSIONS ARE IN MILLIMETERS
±0.2 UNLESS OTHERWISE SPECIFIED

MF1018S-2 TYPICAL CHARACTERISTICS

