

MF1090S-1

FOR E-GSM MOBILE TELEPHONE, Rx

MF1090S-1

DESCRIPTION

This SAW filter for the receiving RF circuit of E-GSM mobile communication equipment operating at 925 MHz ~ 958 MHz.

FEATURES

1. SMD package insures small size, lightweight.
2. Adjustment free.
3. Low insertion loss and high stop band attenuation.
4. Wide and sharp passband characteristics.
5. High stability and reliability.
6. Designed for reflow solderings.

APPLICATION

- Digital mobile cellular telephone
- Portable digital cellular telephone
- Wireless equipment

MAXIMUM RATINGS

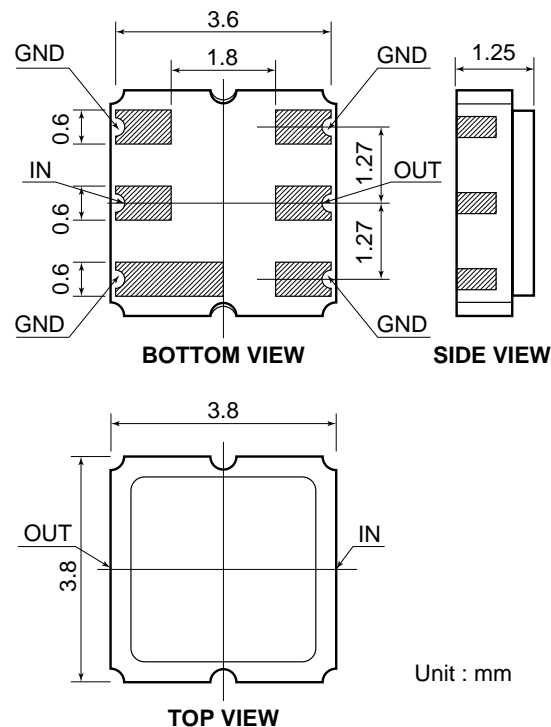
| Rating | Value | Unit |
|-----------------------------|-----------|------|
| Input Power | 50 | mW |
| Operating Temperature Range | -20 to 75 | °C |
| Storage Temperature Range | -30 to 85 | °C |

ELECTRICAL PERFORMANCE

PRELIMINARY

| Parameter | MF1090S-1 | | | Units |
|--------------------------|-----------------|-----|-----|-------|
| | Min | Typ | Max | |
| PASSBAND FREQUENCY | 925 – 958 | | | MHz |
| PASSBAND CHARACTERISTICS | Insertion Loss | 2.9 | 3.5 | dB |
| | Ripple | 1.2 | 2.0 | |
| | VSWR | 2.3 | 3.0 | |
| STOPBAND ATTENUATION | 775 – 806 MHz | 25 | 31 | dB |
| | 810 – 885 MHz | 28 | 32 | |
| | 1000 – 1031 MHz | 30 | 34 | |
| | 1075 – 1106 MHz | 28 | 33 | |
| | 1150 – 1181 MHz | 28 | 33 | |
| 1225 – 1256 MHz | 28 | 33 | dB | |

PACKAGE OUTLINE DIMENSIONS



DIMENSIONS ARE IN MILLIMETERS
±0.2 UNLESS OTHERWISE SPECIFIED

MF1090S-1 TYPICAL CHARACTERISTICS

