

**3.3 VOLT 16M x 64 HIGH PERFORMANCE
SDRAM UNBUFFERED SODIMM**

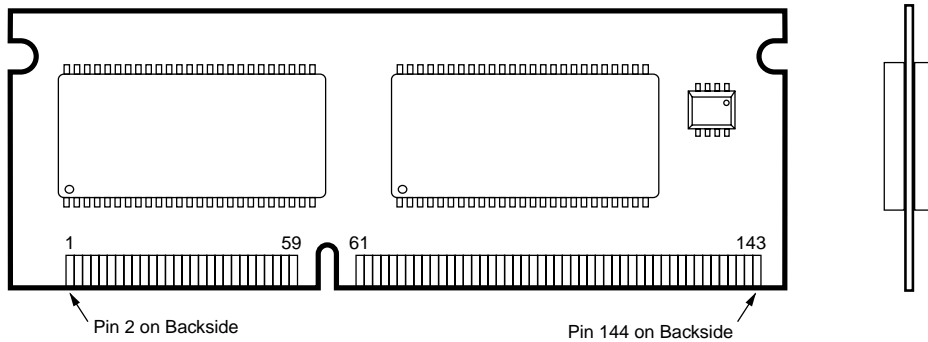
Features

- JEDEC-standard 144 pin, Small-Outline, Dual in line Memory Module (SODIMM)
- Serial Presence Detect with E²PROM
- Nonbuffered
- Fully Synchronous, All Signals Registered on Positive Edge of System Clock
- Single +3.3V (± 0.3V) Power Supply
- All Device Pins are LVTTTL Compatible
- 8192 Refresh Cycles every 64 ms
- Self-Refresh Mode
- Internal Pipelined Operation; Column Address can be changed every System Clock
- Auto Precharge and Piecharge all Banks by A10
- Data Mask Function by DQM
- Mode Register Set Programming
- Programmable (CAS Latency:2, 3 Clocks)

Description

The V436616Y24V memory module is organized 16,777,216 x 64 bits in a 144 pin SODIMM. The 16M x 64 memory module uses 4 Mosel-Vitellic 16M x 16 SDRAM. The x64 modules are ideal for use in high performance computer systems where increased memory density and fast access times are required.

Part Number	Speed Grade	Configuration
V436616Y24VXXG-75PC	133MHz CL2,3	16M x 64
V436616Y24VXXG-75	133MHz CL3	16M x 64
V436616Y24VXXG-10PC	100MHz CL2,3	16M x 64



Pin Configurations (Front Side/Back Side)

Pin	Front	Pin	Front	Pin	Front	Pin	Back	Pin	Back	Pin	Back
1	VSS	25	DQMB1	49	DQ13	73	NC	97	DQ22	121	DQ24
2	VSS	26	DQMB5	50	DQ45	74	CLK1	98	DQ54	122	DQ56
3	DQ0	27	VDD	51	DQ14	75	VSS	99	DQ23	123	DQ25
4	DQ32	28	VDD	52	DQ46	76	VSS	100	DQ55	124	DQ57
5	DQ1	29	A0	53	DQ15	77	NC	101	VDD	125	DQ26
6	DQ33	30	A3	54	DQ47	78	NC	102	VDD	126	DQ58
7	DQ2	31	A1	55	VSS	79	NC	103	A6	127	DQ27
8	DQ34	32	A4	56	VSS	80	NC	104	A7	128	DQ59
9	DQ3	33	A2	57	NC	81	VDD	105	A8	129	VDD
10	DQ35	34	A5	58	NC	82	VDD	106	BA0	130	VDD
11	VDD	35	VSS	59	NC	83	DQ16	107	VSS	131	DQ28
12	VDD	36	VSS	60	NC	84	DQ48	108	VSS	132	DQ60
13	DQ4	37	DQ8	61	CLK0	85	DQ17	109	A9	133	DQ29
14	DQ36	38	DQ40	62	CKE0	86	DQ49	110	BA1	134	DQ61
15	DQ5	39	DQ9	63	VDD	87	DQ18	111	A10	135	DQ30
16	DQ37	40	DQ41	64	VDD	88	DQ50	112	A11	136	DQ62
17	DQ6	41	DQ10	65	$\overline{\text{RAS}}$	89	DQ19	113	VDD	137	DQ31
18	DQ38	42	DQ42	66	$\overline{\text{CAS}}$	90	DQ51	114	VDD	138	DQ63
19	DQ7	43	DQ11	67	$\overline{\text{WE}}$	91	VSS	115	DQMB2	139	VSS
20	DQ39	44	DQ43	68	$\overline{\text{CKE1}}$	92	VSS	116	DQMB6	140	VSS
21	VSS	45	VDD	69	$\overline{\text{CS0}}$	93	DQ20	117	DQMB3	141	SDA
22	VSS	46	VDD	70	NC	94	DQ52	118	DQMB7	142	SCL
23	DQMB0	47	DQ12	71	$\overline{\text{CS1}}$	95	DQ21	119	VSS	143	VDD
24	DQMB4	48	DQ44	72	A12	96	DQ53	120	VSS	144	VDD

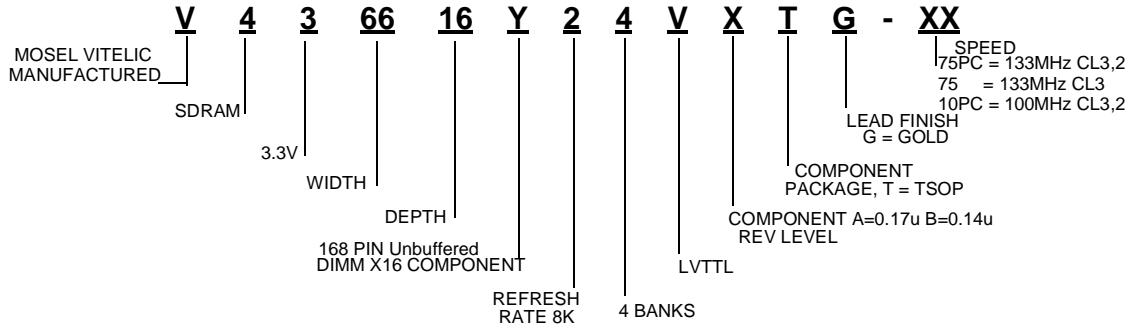
Note:

1. $\overline{\text{RAS}}$, $\overline{\text{CAS}}$, $\overline{\text{WE}}$, $\overline{\text{CASx}}$, $\overline{\text{CSx}}$ are active low signals.

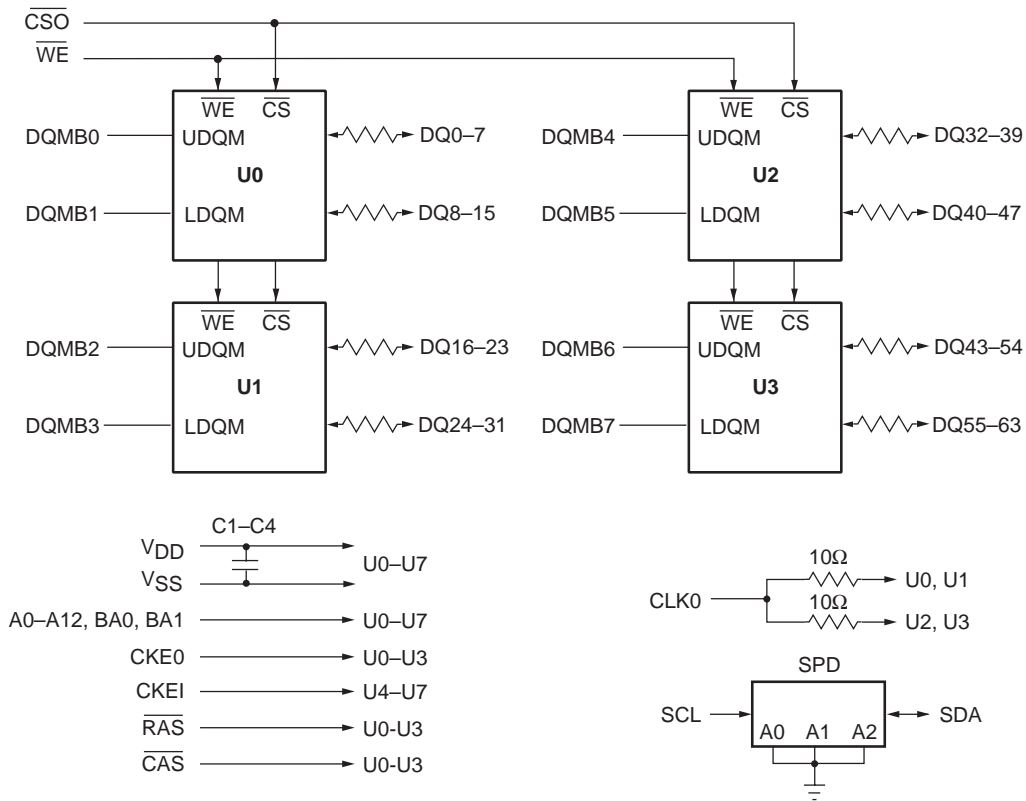
Pin Names

A0–A12, BA0, BA1	Address, Bank Select
DQ0–DQ63	Data Inputs/Outputs
$\overline{\text{RAS}}$	Row Address Strokes
$\overline{\text{CAS}}$	Column Address Strokes
$\overline{\text{WE}}$	Write Enable
$\overline{\text{CS0}}$, $\overline{\text{CS1}}$	Chip Select
DQMB0–DQMB7	Output Enable
CKE0, CKE1	Clock Enable
CLK0, CLK1	Clock
SDA	Serial Input/Output
SCL	Serial Clock
VDD	Power Supply
VSS	Ground
NC	No Connect (Open)

Part Number Information



Block Diagram



Serial Presence Detect Information

A serial presence detect storage device - E²PROM - is assembled onto the module. Information about the module configuration, speed, etc. is

written into the E²PROM device during module production using a serial presence detect protocol (I²C synchronous 2-wire bus)

SPD-Table for modules:

Byte Number	Function Described	SPD Entry Value	Hex Value		
			-75PC	-75	-10PC
0	Number of SPD bytes	128	80	80	80
1	Total bytes in Serial PD	256	08	08	08
2	Memory Type	SDRAM	04	04	04
3	Number of Row Addresses (without BS bits)	13	0D	0D	0D
4	Number of Column Addresses (for x16 SDRAM)	9	09	09	09
5	Number of DIMM Banks	1	01	01	01
6	Module Data Width	64	40	40	40
7	Module Data Width (continued)	0	00	00	00
8	Module Interface Levels	LVTTTL	01	01	01
9	SDRAM Cycle Time at CL=3	7.5 ns/10.0 ns	75	75	A0
10	SDRAM Access Time from Clock at CL=3	5.4 ns/6.0 ns	54	54	60
11	Dimm Config (Error Det/Corr.)	none	00	00	00
12	Refresh Rate/Type	Self-Refresh,7.8 μs	82	82	82
13	SDRAM width, Primary	x16	10	10	10
14	Error Checking SDRAM Data Width	n/a / x16	00	00	00
15	Minimum Clock Delay from Back to Back Random Column Address	t _{ccd} = 1 CLK	01	01	01
16	Burst Length Supported	1, 2, 4, 8	0F	0F	0F
17	Number of SDRAM Banks	4	04	04	04
18	Supported $\overline{\text{CAS}}$ Latencies	CL =2, 3	06	06	06
19	$\overline{\text{CS}}$ Latencies	$\overline{\text{CS}}$ Latency = 0	01	01	01
20	$\overline{\text{WE}}$ Latencies	WL = 0	01	01	01
21	SDRAM DIMM Module Attributes	Non Buffered/Non Reg.	00	00	00
22	SDRAM Device Attributes: General	V _{cc} tol ± 10%	0E	0E	0E
23	Minimum Clock Cycle Time at $\overline{\text{CAS}}$ Latency = 2	7.5 ns/10.0 ns	75	A0	A0
24	Maximum Data Access Time from Clock for CL = 2	5.4 ns/6.0 ns	54	60	60
25	Minimum Clock Cycle Time at CL = 1	Not Supported	00	00	00
26	Maximum Data Access Time from Clock at CL = 1	Not Supported	00	00	00
27	Minimum Row Precharge Time	15 ns/20 ns	0F	14	14

SPD-Table for modules: (Continued)

Byte Number	Function Described	SPD Entry Value	Hex Value		
			-75PC	-75	-10PC
28	Minimum Row Active to Row Active Delay t_{RRD}	14 ns/15 ns/16 ns	0E	0F	10
29	Minimum RAS to \overline{CAS} Delay t_{RCD}	15 ns/20 ns	0F	14	14
30	Minimum RAS Pulse Width t_{RAS}	42 ns/45 ns	2A	2D	30
31	Module Bank Density (Per Bank)	128 Mbyte	20	20	20
32	SDRAM Input Setup Time	1.5 ns	15	15	20
33	SDRAM Input Hold Time	0.8 ns	08	08	10
34	SDRAM Data Input Setup Time	1.5 ns	15	15	20
35	SDRAM Data Input Hold Time	0.8 ns	08	08	10
36-61	Superset Information (May be used in Future)		00	00	00
62	SPD Revision	Revision 2	02	02	12
63	Checksum for Bytes 0 - 62		E4	29	9A
64	Manufacturer's JEDEC ID Code	Mosel Vitelic	40	40	40
65-71	Manufacturer's JEDEC ID Code (cont.)		00	00	00
72	Manufacturing Location	1 = US, 2 = Taiwan			
73-90	Module Part Number (ASCII)	V436616Y24V			
91-92	PCB Identification Code	Current PCB Revision			
93	Assembly Manufacturing Date (Year)	Binary Coded year (BCD)			
94	Assembly Manufacturing Date (Week)	Binary Coded week (BCD)			
95-98	Assembly Serial Number	byte 95 = LSB, byte 98 = MSB			
99-125	Reserved		00	00	00
126	Intel Specification for Frequency		64	64	64
127	Supported frequency				
128+	Unused Storage Location		00	00	00

DC Characteristics

$T_A = 0^\circ\text{C}$ to 70°C ; $V_{SS} = 0\text{ V}$; $V_{DD}, V_{DDQ} = 3.3\text{V} \pm 0.3\text{V}$

Symbol	Parameter	Limit Values		Unit
		Min.	Max.	
V_{IH}	Input High Voltage	2.0	$V_{CC}+0.3$	V
V_{IL}	Input Low Voltage	-0.5	0.8	V
V_{OH}	Output High Voltage ($I_{OUT} = -4.0\text{ mA}$)	2.4	—	V
V_{OL}	Output Low Voltage ($I_{OUT} = 4.0\text{ mA}$)	—	0.4	V

Symbol	Parameter	Limit Values		Unit
		Min.	Max.	
$I_{I(L)}$	Input Leakage Current, any input ($0\text{ V} < V_{IN} < 3.6\text{ V}$, all other inputs = 0V)	-40	40	μA
$I_{O(L)}$	Output leakage current (DQ is disabled, $0\text{V} < V_{OUT} < V_{CC}$)	-40	40	μA

Capacitance

$T_A = 0^\circ\text{C}$ to 70°C ; $V_{DD} = 3.3\text{V} \pm 0.3\text{V}$, $f = 1\text{ MHz}$

Symbol	Parameter	Limit Values (Max.)	Unit
C_{I1}	Input Capacitance (A0 to A11, $\overline{\text{RAS}}$, $\overline{\text{CAS}}$, $\overline{\text{WE}}$)	65	pF
C_{I2}	Input Capacitance ($\overline{\text{CS0}}$, $\overline{\text{CS1}}$)	32	pF
C_{ICL}	Input Capacitance (CLK0-CLK1)	38	pF
C_{I3}	Input Capacitance (CKE0, CKE1)	65	pF
C_{I4}	Input Capacitance (DQMB0-DQMB7)	13	pF
C_{SC}	Input Capacitance (SCL, SA0-2)	8	pF
C_{IO}	Input/Output Capacitance	10	pF

Absolute Maximum Ratings

Parameter	Max.	Units
Voltage on VDD Supply Relative to V_{SS}	-1 to 4.6	V
Voltage on Input Relative to V_{SS}	-1 to 4.6	V
Operating Temperature	0 to +70	$^\circ\text{C}$
Storage Temperature	-55 to 125	$^\circ\text{C}$
Power Dissipation	4	W

Standby and Refresh Currents¹

$T_A = 0^\circ\text{C}$ to 70°C , $V_{CC} = 3.3\text{V} \pm 0.3\text{V}$

Symbol	Parameter	Test Conditions	-75PC/75	-10PC	Unit	Note
I_{CC1}	Operating Current	Burst length = 4, CL = 3 $t_{RC} > t_{RC}(\text{min})$, $t_{CK} > t_{CK}(\text{min})$, IO = 0 mA 2 Bank Interleave Operation	920	840	mA	1,2
I_{CC2P}	Precharged Standby Current in Power Down Mode	$\text{CKE} < V_{IL}(\text{max})$, $t_{CK} > t_{CK}(\text{min})$	8	8	mA	
I_{CC2N}	Precharged Standby Current in Non-Power Down Mode	$\text{CKE} > V_{IH}(\text{min})$, $t_{CK} > t_{CK}(\text{min})$, Input changed once in 3 cycles	160	140	mA	$\overline{\text{CS}} = \text{High}$
I_{CC3P}	Active Standby Current in Power Down Mode	$\text{CKE} < V_{IL}(\text{max})$, $t_{CK} > t_{CK}(\text{min})$	40	40	mA	

Symbol	Parameter	Test Conditions	-75PC/75	-10PC	Unit	Note	
I _{CC3N}	Active Standby Current in Non-Power Down Mode	CKE > = V _{IH} (min), t _{CK} > = t _{CK} (min), Input changed one time	200	180	mA	\overline{CS} = High	
I _{CC4}	Burst Operating Current	t _{RC} = Infinite, CL = 3, t _{CK} > = t _{CK} (min), IO = 0 mA 2 Banks Activated	600	480	mA	1, 2	
I _{CC5}	Auto Refresh Current	t _{RC} > = t _{RC} (min)	960	880	mA	1,2	
I _{CC6}	Self Refresh Current	CKE = <0.2 V	Standard	12	12	mA	1,2
			L-Version	6.8	6.8		

AC Characteristics

 T_A = 0° to 70°C; V_{SS} = 0V; V_{CC} = 3.3V ± 0.3V, t_T = 1 ns

#	Symbol	Parameter	Limit Values						Unit	Note
			-75PC		-75		-10PC			
			Min.	Max.	Min.	Max.	Min.	Max.		

Clock and Clock Enable

1	t _{CK}	Clock Cycle Time								
		\overline{CAS} Latency = 3	7.5	–	7.5	–	10	–	ns	
		\overline{CAS} Latency = 2	7.5	–	10	–	10	–	ns	
2	t _{CK}	Clock Frequency								
		\overline{CAS} Latency = 3	–	133	–	133	–	100	MHz	
		\overline{CAS} Latency = 2	–	133	–	100	–	100	MHz	
3	t _{AC}	Access Time from Clock								2, 4
		\overline{CAS} Latency = 3	–	5.4	–	5.4	–	6	ns	
		\overline{CAS} Latency = 2	–	5.4	–	6	–	6	ns	
4	t _{CH}	Clock High Pulse Width	2.5	–	2.5	–	3	–	ns	
5	t _{CL}	Clock Low Pulse Width	2.5	–	2.5	–	3	–	ns	
6	t _T	Transition Tim	1	–	1	–	1	–	ns	

Setup and Hold Times

7	t _{IS}	Input Setup Time	1.5	–	1.5	–	2	–	ns	5
8	t _{IH}	Input Hold Time	0.8	–	0.8	–	1	–	ns	5
9	t _{CKS}	Input Setup Time	1.5	–	1.5	–	2	–	ns	5
10	t _{CKH}	CKE Hold Time	0.8	–	0.8	–	1	–	ns	5
11	t _{RSC}	Mode Register Set-up Time	15	–	15	–	15	–	ns	
12	t _{SB}	Power Down Mode Entry Time	0	7.5	0	7.5	0	10	ns	

Common Parameters

13	t _{RCD}	Row to Column Delay Time	15	–	20	–	20	–	ns	6
----	------------------	--------------------------	----	---	----	---	----	---	----	---

AC Characteristics

T_A = 0° to 70°C; V_{SS} = 0V; V_{CC} = 3.3V ± 0.3V, t_T = 1 ns (Continued)

#	Symbol	Parameter	Limit Values						Unit	Note
			-75PC		-75		-10PC			
			Min.	Max.	Min.	Max.	Min.	Max.		
14	t _{RP}	Row Precharge Time	15	–	20	–	20	–	ns	6
15	t _{RAS}	Row Active Time	42	100K	45	100K	45	100K	ns	6
16	t _{RC}	Row Cycle Time	60	–	60	–	70	–	ns	6
17	t _{R RD}	Activate(a) to Activate(b) Command Period	14	–	15	–	20	–	ns	6
18	t _{CCD}	$\overline{\text{CAS}}$ (a) to $\overline{\text{CAS}}$ (b) Command Period	1	–	1	–	1	–	CLK	

Refresh Cycle

19	t _{REF}	Refresh Period (8192 cycles)	64	–	64	–	64	–	ms	
20	t _{SREX}	Self Refresh Exit Time	10	–	10	–	10	–	ns	

Read Cycle

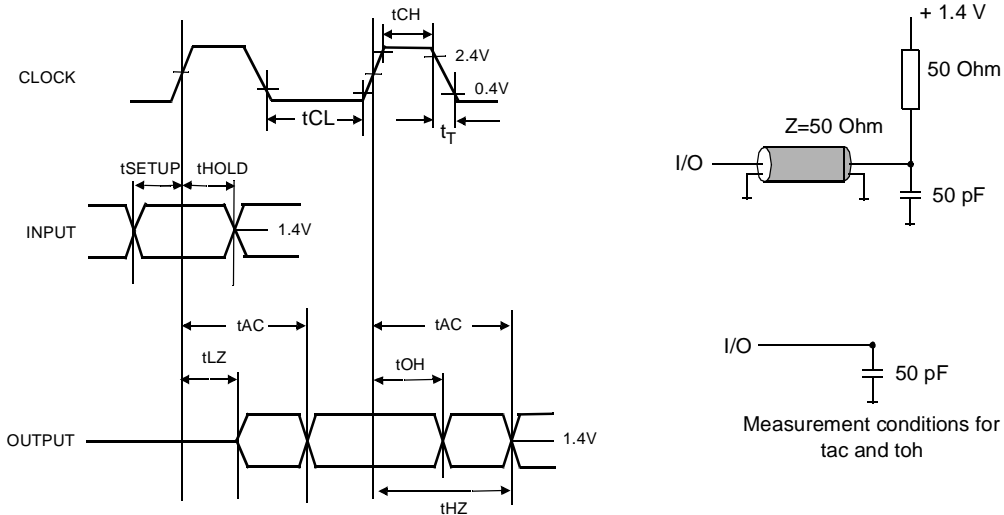
21	t _{OH}	Data Out Hold Time	3	–	3	–	3	–	ns	2
22	t _{LZ}	Data Out to Low Impedance Time	1	–	1	–	1	–	ns	
23	t _{HZ}	Data Out to High Impedance Time	3	7.5	3	7.5	3	10	ns	7
24	t _{DQZ}	DQM Data Out Disable Latency	2	–	2	–	2	–	CLK	

Write Cycle

25	t _{WR}	Write Recovery Time	2	–	2	–	2	–	CLK	
26	t _{DQW}	DQM Write Mask Latency	0	–	0	–	0	–	CLK	

Notes:

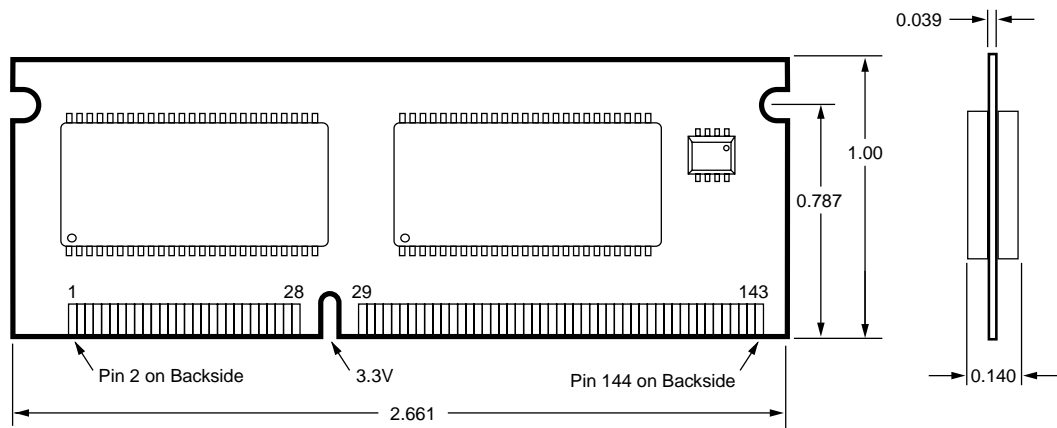
1. The specified values are valid when addresses are changed no more than once during t_{CK}(min.) and when No Operation commands are registered on every rising clock edge during t_{RC}(min.). Values are shown per module bank.
2. The specified values are valid when data inputs (DQ's) are stable during t_{RC}(min.).
3. All AC characteristics are shown for device level.
An initial pause of 100 μs is required after power-up, then a Precharge All Banks command must be given followed by 8 Auto Refresh (CBR) cycles before the Mode Register Set Operation can begin.
4. AC timing tests have V_{IL} = 0.4V and V_{IH} = 2.4V with the timing referenced to the 1.4V crossover point. The transition time is measured between V_{IH} and V_{IL}. All AC measurements assume t_T = 1 ns with the AC output load circuit shown. Specific tac and toh parameters are measured with a 50 pF only, without any resistive termination and a input signal of 1V / ns edge rate between 0.8V and 2.0V.



5. If clock rising time is longer than 1 ns, a time ($t_T/2 - 0.5$) ns has to be added to this parameter.
6. Rated at 1.5V
7. If t_T is longer than 1 ns, a time ($t_T - 1$) ns has to be added to this parameter.
8. Any time that the refresh Period has been exceeded, a minimum of two Auto (CBR) Refresh commands must be given to "wake-up" the device.
9. Self Refresh Exit is a synchronous operation and begins on the 2nd positive clock edge after CKE returns high. Self Refresh Exit is not complete until a time period equal to t_{RC} is satisfied once the Self Refresh Exit command is registered.
10. Referenced to the time which the output achieves the open circuit condition, not to output voltage levels.
11. t_{DAL} is equivalent to $t_{DPL} + t_{RP}$.

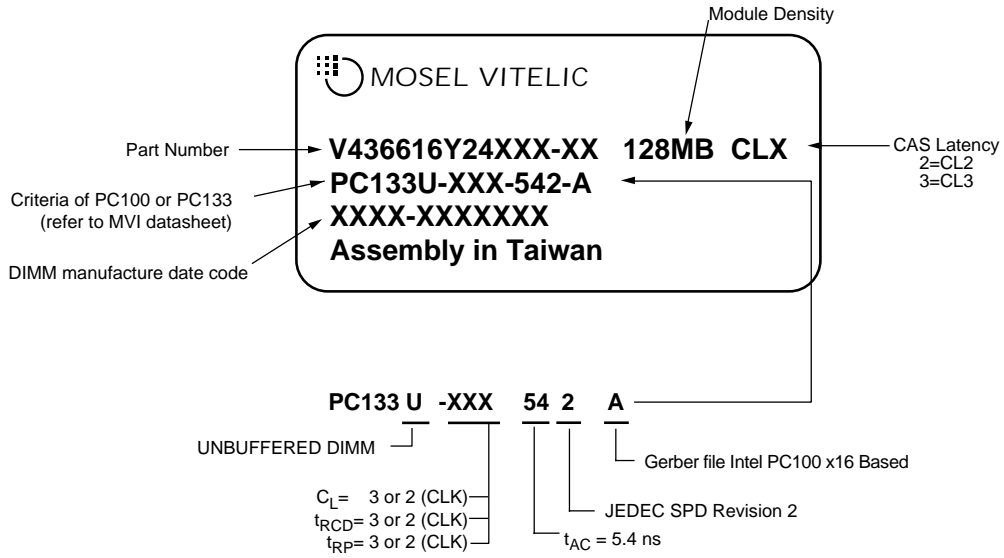
Package Diagram

144 Pin SODIMM



NOTE:
1. All dimensions in inches.
Tolerances ± 0.005 unless otherwise specified.

Module Label Information



WORLDWIDE OFFICES**U.S.A.**

3910 NORTH FIRST STREET
SAN JOSE, CA 95134
PHONE: 408-433-6000
FAX: 408-433-0952

TAIWAN

7F, NO. 102
MIN-CHUAN E. ROAD, SEC. 3
TAIPEI
PHONE: 886-2-2545-1213
FAX: 886-2-2545-1209

SINGAPORE

10 ANSON ROAD #23-13
INTERNATIONAL PLAZA
SINGAPORE 079903
PHONE: 65-3231801
FAX: 65-3237013

UK & IRELAND

SUITE 50, GROVEWOOD
BUSINESS CENTRE
STRATHCLYDE BUSINESS
PARK
BELLSHILL, LANARKSHIRE,
SCOTLAND, ML4 3NQ
PHONE: 44-1698-748515
FAX: 44-1698-748516

NO 19 LI HSIN ROAD
SCIENCE BASED IND. PARK
HSIN CHU, TAIWAN, R.O.C.
PHONE: 886-3-579-5888
FAX: 886-3-566-5888

JAPAN

ONZE 1852 BUILDING 6F
2-14-6 SHINTOMI, CHUO-KU
TOKYO 104-0041
PHONE: 03-3537-1400
FAX: 03-3537-1402

**GERMANY
(CONTINENTAL
EUROPE & ISRAEL)**

BENZSTRASSE 32
71083 HERRENBERG
GERMANY
PHONE: +49 7032 2796-0
FAX: +49 7032 2796 22

U.S. SALES OFFICES**WEST**

3910 NORTH FIRST STREET
SAN JOSE, CA 95134
PHONE: 408-433-6000
FAX: 408-433-0952

CENTRAL / EAST

604 FIELDWOOD CIRCLE
RICHARDSON, TX 75081
PHONE: 214-352-3775
FAX: 214-904-9029

The information in this document is subject to change without notice.

MOSEL VITELIC makes no commitment to update or keep current the information contained in this document. No part of this document may be copied or reproduced in any form or by any means without the prior written consent of MOSEL-VITELIC.

MOSEL VITELIC subjects its products to normal quality control sampling techniques which are intended to provide an assurance of high quality products suitable for usual commercial applications. MOSEL VITELIC does not do testing appropriate to provide 100% product quality assurance and does not assume any liability for consequential or incidental arising from any use of its products. If such products are to be used in applications in which personal injury might occur from failure, purchaser must do its own quality assurance testing appropriate to such applications.