

**128 MB 200-PIN DDR UNBUFFERED SODIMM  
2.5 VOLT 16M x 64****Features**

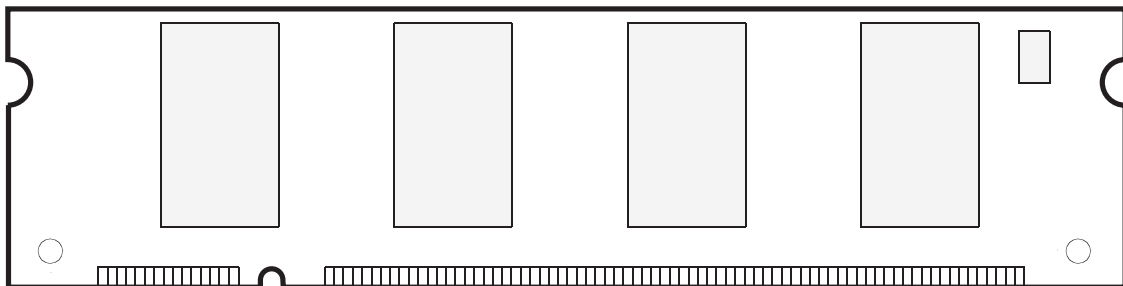
- JEDEC 200 Pin DDR Unbuffered Small-Outline, Dual In-Line memory module (SODIMM); 16,777,216 x 64 bit organization.
- Utilizes High Performance 16M x 8 DDR SDRAM in TSOPII-66 Packages
- Single +2.5V ( $\pm 0.2V$ ) Power Supply
- Programmable CAS Latency, Burst Length, and Wrap Sequence (Sequential & Interleave)
- Auto Refresh (CBR) and Self Refresh
- All Inputs, Outputs are SSTL-2 Compatible
- 4096 Refresh Cycles every 64 ms
- Serial Presence Detect (SPD)
- DDR SDRAM Performance

**Description**

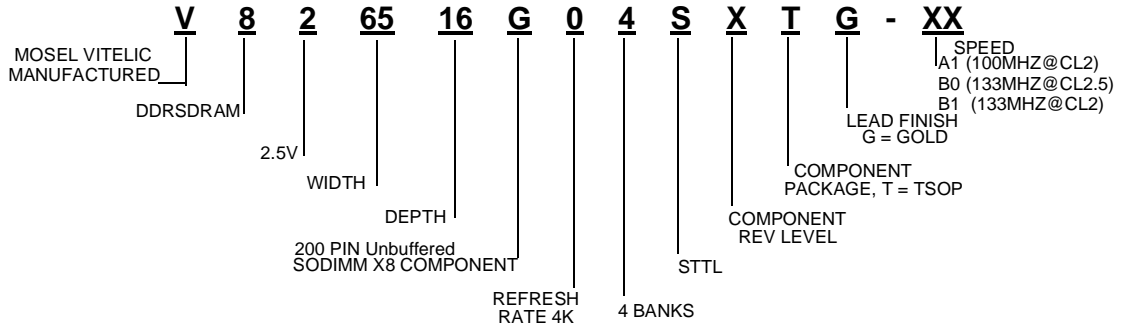
The V826516G04S memory module is organized 16,777,216 x 64 bits in a 200 pin memory module. The 16M x 64 memory module uses 8 Mosel-Vitellic 16M x 8 DDR SDRAM. The x64 modules are ideal for use in high performance computer systems where increased memory density and fast access times are required.

|          | Component Used                         | -7              | -75             | -8             | Units |
|----------|--|-----------------|-----------------|----------------|-------|
| $t_{CK}$ | Clock Frequency (max.)                 | 143<br>(PC266A) | 133<br>(PC266B) | 125<br>(PC200) | MHz   |
| $t_{AC}$ | Clock Access Time<br>CAS Latency = 2.5 | 7               | 7.5             | 8              | ns    |

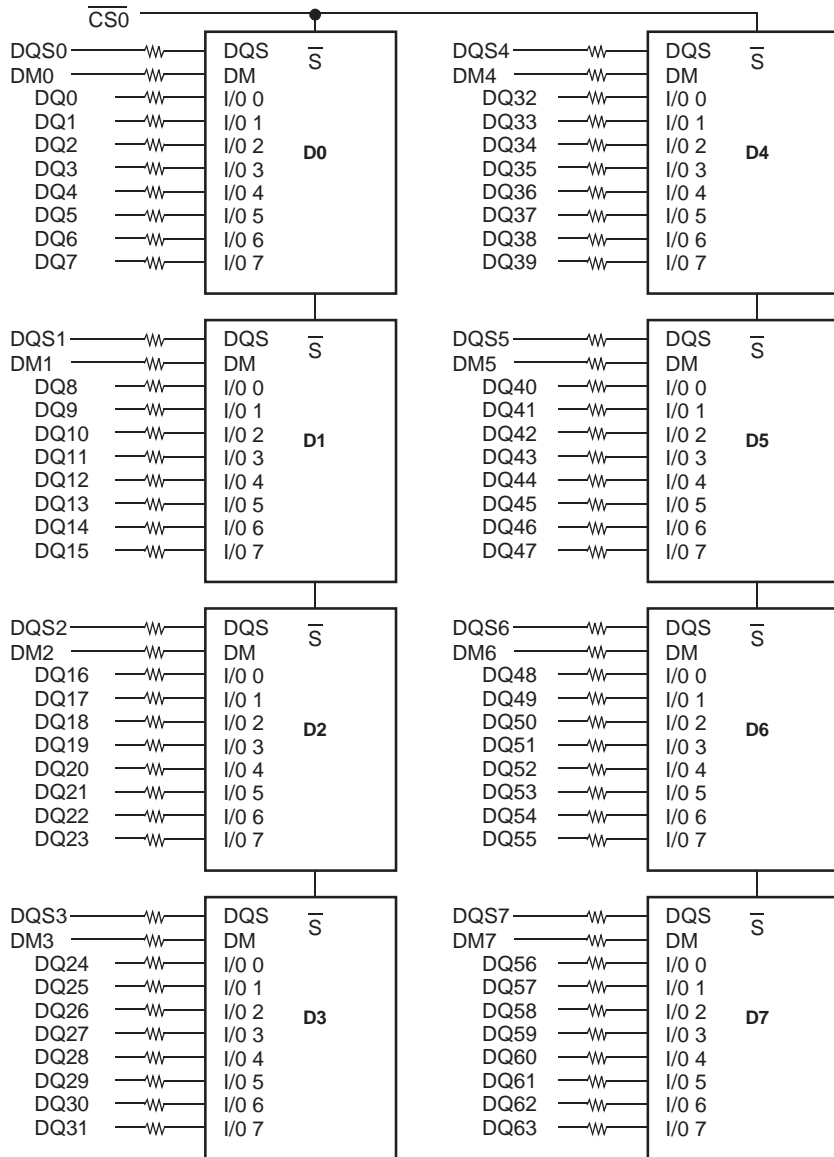
| Module Speed |                          |
|--------------|--------------------------|
| A1           | PC1600 (100MHz @ CL2)    |
| B0           | PC2100B (133MHz @ CL2.5) |
| B1           | PC2100A (133MHz @ CL2)   |



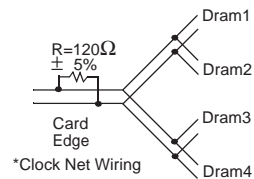
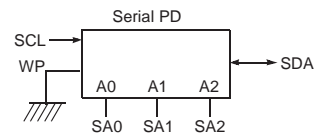
**Part Number Information**



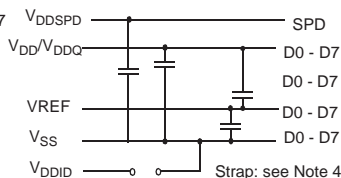
Block Diagram



| Clock Wiring |          |
|--------------|----------|
| Clock Input  | SDRAMs   |
| CK0/CK0      | 4 SDRAMs |
| CK1/CK1      | 4 SDRAMs |
| CK2/CK2      | NC       |



- BA0 - BA1 → BA0-BA1: DDR SDRAMs D0 - D7
- A0 - A13 → A0-A13: DDR SDRAMs D0 - D7
- RAS → RAS: SDRAMs D0 - D7
- CAS → CAS: SDRAMs D0 - D7
- CKE0 → CKE: SDRAMs D0 - D7
- WE → WE: SDRAMs D0 - D7



Notes:

1. DQ-to-I/O wiring is shown as recommended but may be changed.
2. DQ/DQS/DM/CKE/CS relationships must be maintained as shown.
3. DQ, DQS, DM/DQS resistors: 22 Ohms.
4. VDDID strap connections (for memory device VDD, VDDQ): STRAP OUT (OPEN): VDD = VDDQ STRAP IN (VSS): VDD ≠ VDDQ.

**Pin Configurations (Front Side/Back Side)**

| Pin | Front | Pin | Front   | Pin | Front  | Pin | Back | Pin | Back       | Pin | Back |
|-----|-------|-----|---------|-----|--------|-----|------|-----|------------|-----|------|
| 1   | VREF  | 67  | DQ27    | 135 | DQ34   | 2   | VREF | 68  | DQ31       | 136 | DQ38 |
| 3   | VSS   | 69  | VDD     | 137 | VSS    | 4   | VSS  | 70  | VDD        | 138 | VSS  |
| 5   | DQ0   | 71  | CB0     | 139 | DQ35   | 6   | DQ4  | 72  | CB4        | 140 | DQ39 |
| 7   | DQ1   | 73  | CB1     | 141 | DQ40   | 8   | DQ5  | 74  | CB5        | 142 | DQ44 |
| 9   | VDD   | 75  | VSS     | 143 | VDD    | 10  | VDD  | 76  | VSS        | 144 | VDD  |
| 11  | DQS0  | 77  | DQS8    | 145 | DQ41   | 12  | DM0  | 78  | DM8        | 146 | DQ45 |
| 13  | DQ2   | 79  | CB2     | 147 | DQS5   | 14  | DQ6  | 80  | CB6        | 148 | DM5  |
| 15  | VSS   | 81  | VDD     | 149 | VSS    | 16  | VSS  | 82  | VDD        | 150 | VSS  |
| 17  | DQ3   | 83  | CB3     | 151 | DQ42   | 18  | DQ7  | 84  | CB7        | 152 | DQ46 |
| 19  | DQ8   | 85  | DU      | 153 | DQ43   | 20  | DQ12 | 86  | DU/(RESET) | 154 | DQ47 |
| 21  | VDD   | 87  | VSS     | 155 | VDD    | 22  | VDD  | 88  | VSS        | 156 | VDD  |
| 23  | DQ9   | 89  | CK2     | 157 | VDD    | 24  | DQ13 | 90  | VSS        | 158 | CK1  |
| 25  | DQS1  | 91  | CK2     | 159 | VSS    | 26  | DM1  | 92  | VDD        | 160 | CK1  |
| 27  | VSS   | 93  | VDD     | 161 | VSS    | 28  | VSS  | 94  | VDD        | 162 | VSS  |
| 29  | DQ10  | 95  | CKE1    | 163 | DQ48   | 30  | DQ14 | 96  | CKE0       | 164 | DQ52 |
| 31  | DQ11  | 97  | DU(A13) | 165 | DQ49   | 32  | DQ15 | 98  | DU(BA2)    | 166 | DQ53 |
| 33  | VDD   | 99  | A12     | 167 | VDD    | 34  | VDD  | 100 | A11        | 168 | VDD  |
| 35  | CK0   | 101 | A9      | 169 | DQS6   | 36  | VDD  | 102 | A8         | 170 | DM6  |
| 37  | CK0   | 103 | VSS     | 171 | DQ50   | 38  | VSS  | 104 | VSS        | 172 | DQ54 |
| 39  | VSS   | 105 | A7      | 173 | VSS    | 40  | VSS  | 106 | A6         | 174 | VSS  |
| Key |       | 107 | A5      | 175 | DQ51   | Key |      | 108 | A4         | 176 | DQ55 |
| 41  | DQ16  | 109 | A3      | 177 | DQ56   | 42  | DQ20 | 110 | A2         | 178 | DQ60 |
| 43  | DQ17  | 111 | A1      | 179 | VDD    | 44  | DQ21 | 112 | A0         | 180 | VDD  |
| 45  | VDD   | 113 | VDD     | 181 | DQ57   | 46  | VDD  | 114 | VDD        | 182 | DQ61 |
| 47  | DQS2  | 115 | A10/AP  | 183 | DQS7   | 48  | DM2  | 116 | BA1        | 184 | DM7  |
| 49  | DQ18  | 117 | BA0     | 185 | DQ58   | 50  | DQ22 | 118 | RAS        | 186 | VSS  |
| 51  | VSS   | 119 | WE      | 187 | DQ58   | 52  | VSS  | 120 | CAS        | 188 | DQ62 |
| 53  | DQ19  | 121 | S0      | 189 | DQ59   | 54  | DQ23 | 122 | S1         | 190 | DQ63 |
| 55  | DQ24  | 123 | DU      | 191 | VDD    | 56  | DQ28 | 124 | DU         | 192 | VDD  |
| 57  | VDD   | 125 | VSS     | 193 | SDA    | 58  | VDD  | 126 | VSS        | 194 | SA0  |
| 59  | DQ25  | 127 | DQ32    | 195 | SCL    | 60  | DQ29 | 128 | DQ36       | 196 | SA1  |
| 61  | DQS3  | 129 | DQ33    | 197 | VDDSPD | 62  | DM3  | 130 | DQ37       | 198 | SA2  |
| 63  | VSS   | 131 | VDD     | 199 | VDDID  | 64  | VSS  | 132 | VDD        | 200 | DU   |
| 65  | DQ26  | 133 | DQS4    |     |        | 66  | DQ30 | 134 | DM4        |     |      |

**Notes:**

\* These pins are not used in this module.

**Pin Names**

| Pin              | Pin Description             |
|------------------|-----------------------------|
| A0-A11           | Address Input (Multiplexed) |
| BA0-BA1          | Bank Select Address         |
| DQ0-DQ63         | Data Input/Output           |
| DQS0-DQS7        | Data Strobe Input/Output    |
| CK0-CK2, CK0-CK2 | Clock Input                 |
| CKE0             | Clock Enable Input          |
| CS0              | Chip Select Input           |
| RAS              | Row Address Strobe          |
| CAS              | Column Address Strobe       |
| WE               | Write Enable                |
| DM0-DM7          | Data - In Mask              |

| Pin    | Pin Description                           |
|--------|---|
| VDD    | Power Supply (2.5V)                       |
| VDDQ   | Power Supply for DQS(2.5V)                |
| VSS    | Ground                                    |
| VREF   | Power Supply for Reference                |
| VDDSPD | Serial EEPROM Power Supply (2.3V to 3.6V) |
| SDA    | Serial Data I/O                           |
| SCL    | Serial Clock                              |
| SA0-2  | Address in EEPROM                         |
| VDDID  | VDD Identification Flag                   |
| NC     | No Connection                             |

**Serial Presence Detect Information**

Bin Sort:

A1 (PC1600 @ CL2)

B0 (PC2100B @ CL2.5)

B1 (PC2100A @ CL2)

| Byte # | Function described   | Function Supported        |         |         | Hex value |     |     |
|--------|--|---------------------------|---------|---------|-----------|-----|-----|
|        |  | A1                        | B0      | B1      | A1        | B0  | B1  |
| 0      | Defines # of Bytes written into serial memory at module manufacturer | 128bytes                  |         |         | 80h       |     |     |
| 1      | Total # of Bytes of SPD memory device                                | 256bytes                  |         |         | 08h       |     |     |
| 2      | Fundamental memory type  | SDRAM DDR                 |         |         | 07h       |     |     |
| 3      | # of row address on this assembly                                    | 12                        |         |         | 0Ch       |     |     |
| 4      | # of column address on this assembly                                 | 10                        |         |         | 0Ah       |     |     |
| 5      | # of module Rows on this assembly                                    | 1 Bank                    |         |         | 01h       |     |     |
| 6      | Data width of this assembly  | 64 bits                   |         |         | 40h       |     |     |
| 7      | .....Data width of this assembly                                     | -                         |         |         | 00h       |     |     |
| 8      | VDDQ and interface standard of this assembly                         | SSTL 2.5V                 |         |         | 04h       |     |     |
| 9      | DDR SDRAM cycle time at CAS Latency =2.5                             | 8ns                       | 7.5ns   | 7ns     | 80h       | 75h | 70h |
| 10     | DDR SDRAM Access time from clock at CL=2.5                           | ±0.8ns                    | ±0.75ns | ±0.70ns | 80h       | 75h | 70h |
| 11     | DIMM configuration type(Non-parity, Parity, ECC)                     | Non-parity, ECC           |         |         | 00        |     |     |
| 12     | Refresh rate & type  | 15.6us & Self refresh     |         |         | 80h       |     |     |
| 13     | Primary DDR SDRAM width  | x8                        |         |         | 08h       |     |     |
| 14     | Error checking DDR SDRAM data width                                  | x0                        |         |         | 00h       |     |     |
| 15     | Minimum clock delay for back-to-back random column address           | t <sub>CCD</sub> =1CLK    |         |         | 01h       |     |     |
| 16     | DDR SDRAM device attributes : Burst lengths supported                | 2,4,8                     |         |         | 0Eh       |     |     |
| 17     | DDR SDRAM device attributes : # of banks on each DDR SDRAM           | 4 banks                   |         |         | 04h       |     |     |
| 18     | DDR SDRAM device attributes : CAS Latency supported                  | 2,2.5                     |         |         | 0Ch       |     |     |
| 19     | DDR SDRAM device attributes : CS Latency                             | 0CLK                      |         |         | 01h       |     |     |
| 20     | DDR SDRAM device attributes : WE Latency                             | 1CLK                      |         |         | 02h       |     |     |
| 21     | DDR SDRAM module attributes  | Unbuffered<br>Diff Clock  |         |         | 20h       |     |     |
| 22     | DDR SDRAM device attributes : General                                | +/-0.2V voltage tolerance |         |         | 00h       |     |     |
| 23     | DDR SDRAM cycle time at CL =2  | 10ns                      | 10ns    | 7.5ns   | A0h       | A0h | 75h |
| 24     | DDR SDRAM Access time from clock at CL =2                            | ±0.8ns                    | ±0.80ns | ±0.75ns | 80h       | 80h | 75h |
| 25     | DDR SDRAM cycle time at CL =1.5                                      | -                         | -       | -       | 00h       |     |     |
| 26     | DDR SDRAM Access time from clock at CL =1.5                          | -                         | -       | -       | 00h       |     |     |
| 27     | Minimum row precharge time (=t <sub>RP</sub> )                       | 20ns                      | 20ns    | 18ns    | 50h       | 50h | 48h |
| 28     | Minimum row activate to row active delay(=t <sub>R RD</sub> )        | 15ns                      | 15ns    | 14ns    | 3Ch       | 3Ch | 38h |

**Serial Presence Detect Information (cont.)**

| Byte #  | Function described  | Function Supported |        |        | Hex value |     |     |
|---------|---|--------------------|--------|--------|-----------|-----|-----|
|         |   | A1                 | B0     | B1     | A1        | B0  | B1  |
| 29      | Minimum RAS to CAS delay(= $t_{RCD}$ )  | 20ns               | 20ns   | 18ns   | 50h       | 50h | 48h |
| 30      | Minimum active to precharge time(= $t_{RAS}$ )  | 50ns               | 45ns   | 45ns   | 32h       | 2Dh | 2Dh |
| 31      | Module ROW density  | 128MB              |        |        | 20h       |     |     |
| 32      | Command and address signal input setup time   | 1.1ns              | 0.9ns  | 0.9ns  | B0h       | 90h | 90h |
| 33      | Command and address signal input hold time  | 1.1ns              | 0.9ns  | 0.9ns  | B0h       | 90h | 90h |
| 34      | Data signal input setup time  | 0.6ns              | 0.5ns  | 0.5ns  | 60h       | 50h | 50h |
| 35      | Data signal input hold time   | 0.6ns              | 0.5ns  | 0.5ns  | 60h       | 50h | 50h |
| 36-40   | Superset information (may be used in future)  | -                  |        |        | 00h       |     |     |
| 41      | SDRAM device minimum active to active/auto-refresh time (= $t_{RC}$ )                 | 70ns               | 65ns   | 60ns   | 46h       | 41h | 3Ch |
| 42      | SDRAM device minimum active to autorefresh to active/auto-refresh time (= $t_{RFC}$ ) | 80ns               | 75ns   | 67ns   | 50h       | 4Bh | 43h |
| 43      | SDRAM device maximum device cycle time (= $t_{CK MAX}$ )                              | 12ns               | 12ns   | 12ns   | 30h       | 30h | 30h |
| 44      | SDRAM device maximum skew between DQS and DQ signals (= $t_{DQSQ}$ )                  | 0.6ns              | 0.5ns  | 0.5ns  | 3Ch       | 32h | 32h |
| 45      | SDRAM device maximum read datahold skew factor (= $t_{QHS}$ )                         | 1ns                | 0.75ns | 0.75ns | A0h       | 75h | 75h |
| 46-61   | Superset information (may be used in future)  | -                  |        |        | 00h       |     |     |
| 62      | SPD data revision code  | Initial release    |        |        | 00h       |     |     |
| 63      | Checksum for Bytes 0 ~ 62   | -                  |        |        | BC        | 02  | A1  |
| 64      | Manufacturer JEDEC ID code  | Mosel Vitelic      |        |        | 40h       |     |     |
| 65 -71  | ..... Manufacturer JEDEC ID code  | Mosel Vitelic      |        |        | 00h       |     |     |
| 72      | Manufacturing location  |                    |        |        | 01h       |     |     |
| 73-90   | Module part number (ASCII)  | V826516G04S        |        |        |           |     |     |
| 91      | Manufacturer revision code (For PCB)  | 0                  |        |        | 00        |     |     |
| 92      | Manufacturer revision code (For component)  | 0                  |        |        | 00        |     |     |
| 93      | Manufacturing date (Week)   | -                  |        |        | -         |     |     |
| 94      | Manufacturing date (Year)   | -                  |        |        | -         |     |     |
| 95-98   | Assembly serial #   | -                  |        |        | -         |     |     |
| 99~127  | Manufacturer specific data (may be used in future)                                    | Undefined          |        |        | 00h       |     |     |
| 128~255 | Open for customer use   | Undefined          |        |        | 00h       |     |     |

**DC Operating Conditions**

(T<sub>A</sub> = 0 to 70°C, Voltage referenced to V<sub>SS</sub> = 0V)

| Parameter                                      | Symbol           | Min                     | Typ.             | Max                     | Unit | Note |
|--|------------------|-------------------------|------------------|-------------------------|------|------|
| Power Supply Voltage                           | V <sub>DD</sub>  | 2.3                     | 2.5              | 2.7                     | V    |      |
| Power Supply Voltage                           | V <sub>DDQ</sub> | 2.3                     | 2.5              | 2.7                     | V    | 1    |
| Input High Voltage                             | V <sub>IH</sub>  | V <sub>REF</sub> + 0.15 | -                | V <sub>DDQ</sub> + 0.3  | V    |      |
| Input Low Voltage                              | V <sub>IL</sub>  | -0.3                    | -                | V <sub>REF</sub> - 0.15 | V    | 2    |
| I/O Termination Voltage                        | V <sub>TT</sub>  | V <sub>REF</sub> - 0.04 | V <sub>REF</sub> | V <sub>REF</sub> + 0.04 | V    |      |
| Reference Voltage                              | V <sub>REF</sub> | 1.15                    | 1.25             | 1.35                    | V    | 3    |
| Input Leakage Current                          | I <sub>I</sub>   | -2                      | -                | 2                       | μA   |      |
| Output Leakage Current                         | I <sub>Oz</sub>  | -5                      | -                | 5                       | μA   |      |
| Output High Current (V <sub>OUT</sub> = 1.95V) | I <sub>OH</sub>  | -16.8                   | -                | -                       | mA   |      |
| Output Low Current (V <sub>OUT</sub> = 0.35V)  | I <sub>OL</sub>  | 16.8                    | -                | -                       | mA   |      |

- Notes:** 1. V<sub>DDQ</sub> must not exceed the level of V<sub>DD</sub>.  
 2. V<sub>IL</sub> (min) is acceptable -1.5V AC pulse width with δ 5ns of duration.  
 3. The value of V<sub>REF</sub> is approximately equal to 0.5V<sub>DDQ</sub>.

**AC Operating Conditions**

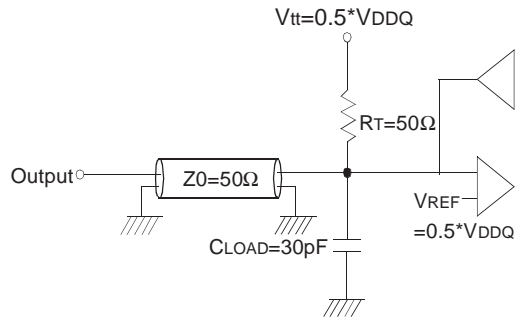
(T<sub>A</sub> = 0 to 70 °C, Voltage referenced to V<sub>SS</sub> = 0V)

| Parameter   | Symbol              | Min                       | Max                       | Unit | Note |
|---|---------------------|---------------------------|---------------------------|------|------|
| Input High (Logic 1) Voltage, DQ, DQS and DM signals        | V <sub>IH(AC)</sub> | V <sub>REF</sub> + 0.31   |                           | V    |      |
| Input Low (Logic 0) Voltage, DQ, DQS and DM signals         | V <sub>IL(AC)</sub> |                           | V <sub>REF</sub> - 0.31   | V    |      |
| Input Differential Voltage, CK and $\overline{CK}$ inputs   | V <sub>ID(AC)</sub> | 0.7                       | V <sub>DDQ</sub> + 0.6    | V    | 1    |
| Input Crossing Point Voltage, CK and $\overline{CK}$ inputs | V <sub>IX(AC)</sub> | 0.5*V <sub>DDQ</sub> -0.2 | 0.5*V <sub>DDQ</sub> +0.2 | V    | 2    |

- Notes:** 1. VID is the magnitude of the difference between the input level on CK and the input on  $\overline{CK}$ .  
 2. The value of VIX is expected to equal 0.5\*V<sub>DDQ</sub> of the transmitting device and must track variations in the DC level of the same.

**AC Operating Test Conditions** ( $T_A = 0$  to  $70^\circ\text{C}$ , Voltage referenced to  $V_{SS} = 0\text{V}$ )

| Parameter   | Value                | Unit     |
|---|----------------------|----------|
| Reference Voltage   | $V_{DDQ} \times 0.5$ | V        |
| Termination Voltage   | $V_{DDQ} \times 0.5$ | V        |
| AC Input High Level Voltage ( $V_{IH}$ , min)                 | $V_{REF} + 0.31$     | V        |
| AC Input Low Level Voltage ( $V_{IL}$ , max)                  | $V_{REF} - 0.31$     | V        |
| Input Timing Measurement Reference Level Voltage              | $V_{REF}$            | V        |
| Output Timing Measurement Reference Level Voltage             | $V_{TT}$             | V        |
| Input Signal maximum peak swing                               | 1.5                  | V        |
| Input minimum Signal Slew Rate                                | 1                    | V/ns     |
| Termination Resistor ( $R_T$ )                                | 50                   | $\Omega$ |
| Series Resistor ( $R_S$ )                                     | 25                   | $\Omega$ |
| Output Load Capacitance for Access Time Measurement ( $C_L$ ) | 30                   | pF       |



Output Load Circuit (SSTL\_2)

**Input/Output Capacitance**

( $V_{DD} = 2.5\text{V}$ ,  $V_{DDQ} = 2.5\text{V}$ ,  $T_A = 25^\circ\text{C}$ ,  $f = 1\text{MHz}$ )

| Parameter  | Symbol    | Min | Max | Unit |
|--|-----------|-----|-----|------|
| Input capacitance ( $A_0 \sim A_{11}$ , $BA_0 \sim BA_1$ , $\overline{RAS}$ , $\overline{CAS}$ , $\overline{WE}$ ) | $C_{IN1}$ | 36  | 45  | pF   |
| Input capacitance ( $CKE_0$ )  | $C_{IN2}$ | 36  | 45  | pF   |
| Input capacitance ( $\overline{CS}_0$ )  | $C_{IN3}$ | 34  | 42  | pF   |
| Input capacitance ( $CLK_1$ , $CLK_2$ )  | $C_{IN4}$ | 34  | 38  | pF   |
| Data & DQS input/output capacitance ( $DQ_0 \sim DQ_{63}$ )  | $C_{OUT}$ | 8   | 9   | pF   |
| Input capacitance ( $DM_0 \sim DM_8$ )   | $C_{IN5}$ | 8   | 9   | pF   |



**DDR SDRAM I<sub>DD</sub> SPEC TABLE**

| Symbol | B1(DDR266@CL=2) |       | B0(DDR266@CL=2.5) |       | A1(DDR200@CL=2) |       | Unit | Notes    |
|--------|-----------------|-------|-------------------|-------|-----------------|-------|------|----------|
|        | Typical         | Worst | Typical           | Worst | Typical         | Worst |      |          |
| IDD0   | 800             | 880   | 800               | 880   | 640             | 720   | mA   |          |
| IDD1   | 1000            | 1120  | 1000              | 1120  | 800             | 920   | mA   |          |
| IDD2P  | 200             | 240   | 200               | 240   | 160             | 200   | mA   |          |
| IDD2F  | 360             | 440   | 360               | 440   | 320             | 360   | mA   |          |
| IDD2Q  | 280             | 320   | 280               | 320   | 240             | 280   | mA   |          |
| IDD3P  | 240             | 280   | 240               | 280   | 200             | 240   | mA   |          |
| IDD3N  | 400             | 480   | 400               | 480   | 320             | 400   | mA   |          |
| IDD4R  | 1360            | 1600  | 1360              | 1600  | 1120            | 1320  | mA   |          |
| IDD4W  | 1480            | 1720  | 1480              | 1720  | 1200            | 1360  | mA   |          |
| IDD5   | 1480            | 1720  | 1480              | 1720  | 1200            | 1360  | mA   |          |
| IDD6   | Normal          | 16    | 16                | 16    | 16              | 16    | 16   |          |
|        | Low power       | 8     | 8                 | 8     | 8               | 8     | 8    | Optional |
| IDD7A  | 2600            | 3000  | 2600              | 3000  | 2120            | 2480  | mA   |          |

\* Module I<sub>DD</sub> was calculated on the basis of component I<sub>DD</sub> and can be differently measured according to DQ loading cap.

**Detailed test conditions for DDR SDRAM IDD1 & IDD**

**IDD1 : Operating current: One bank operation**

1. Typical Case : V<sub>dd</sub> = 2.5V, T=25' C
2. Worst Case : V<sub>dd</sub> = 2.7V, T= 10' C
3. Only one bank is accessed with t<sub>RC</sub>(min), Burst Mode, Address and Control inputs on NOP edge are changing once per clock cycle. I<sub>out</sub> = 0mA
4. Timing patterns
  - DDR200(100Mhz, CL=2) : t<sub>CK</sub> = 10ns, CL2, BL=4, t<sub>RCD</sub> = 2\*t<sub>CK</sub>, t<sub>RAS</sub> = 5\*t<sub>CK</sub>  
 Read : A0 N R0 N N P0 N A0 N - repeat the same timing with random address changing  
 \*50% of data changing at every burst
  - DDR266B(133Mhz, CL=2.5) : t<sub>CK</sub> = 7.5ns, CL=2.5, BL=4, t<sub>RCD</sub> = 3\*t<sub>CK</sub>, t<sub>RC</sub> = 9\*t<sub>CK</sub>, t<sub>RAS</sub> = 5\*t<sub>CK</sub>  
 Read : A0 N N R0 N P0 N N A0 N - repeat the same timing with random address changing  
 \*50% of data changing at every burst
  - DDR266A (133Mhz, CL=2) : t<sub>CK</sub> = 7.5ns, CL=2, BL=4, t<sub>RCD</sub> = 3\*t<sub>CK</sub>, t<sub>RC</sub> = 9\*t<sub>CK</sub>, t<sub>RAS</sub> = 5\*t<sub>CK</sub>  
 Read : A0 N N R0 N P0 N N A0 N - repeat the same timing with random address changing  
 \*50% of data changing at every burst

Legend : A=Activate, R=Read, W=Write, P=Precharge, N=NOP

**AC Characteristics** (AC operating conditions unless otherwise noted)

| Parameter                                      | Symbol      | (PC1600)               |      | (PC2100B)              |      | (PC2100A)              |      | Unit | Note    |  |
|--|-------------|------------------------|------|------------------------|------|------------------------|------|------|---------|--|
|  |             | Min                    | Max  | Min                    | Max  | Min                    | Max  |      |         |  |
| Row Cycle Time                                 | $t_{RC}$    | 60                     | -    | 65                     | -    | 70                     | -    | ns   |         |  |
| Auto Refresh Row Cycle Time                    | $t_{RFC}$   | 67                     | -    | 75                     | -    | 80                     | -    | ns   |         |  |
| Row Active Time                                | $t_{RAS}$   | 45                     | 120K | 48                     | 120K | 50                     | 120K | ns   |         |  |
| Row Address to Column Address Delay            | $t_{RCD}$   | 18                     | -    | 20                     | -    | 20                     | -    | ns   |         |  |
| Row Active to Row Active Delay                 | $t_{RRD}$   | 14                     | -    | 15                     | -    | 15                     | -    | ns   |         |  |
| Column Address to Column Address Delay         | $t_{CCD}$   | 1                      | -    | 1                      | -    | 1                      | -    | CLK  |         |  |
| Row Precharge Time                             | $t_{RP}$    | 18                     | -    | 20                     | -    | 20                     | -    | ns   |         |  |
| Write Recovery Time                            | $t_{WR}$    | 15                     | -    | 15                     | -    | 15                     | -    | ns   |         |  |
| Last Data-In to Read Command                   | $t_{DRL}$   | 1                      | -    | 1                      | -    | 1                      | -    | CLK  |         |  |
| Auto Precharge Write Recovery + Precharge Time | $t_{DAL}$   | 35                     | -    | 35                     | -    | 35                     | -    | ns   |         |  |
| System Clock Cycle Time                        | $t_{CK}$    | CAS Latency = 2.5      | 7    | 12                     | 7.5  | 12                     | 8    | 12   | ns      |  |
|  |             | CAS Latency = 2        | 7.5  | 12                     | 10   | 12                     | 10   | 12   | ns      |  |
| Clock High Level Width                         | $t_{CH}$    | 0.45                   | 0.55 | 0.45                   | 0.55 | 0.45                   | 0.55 | CLK  |         |  |
| Clock Low Level Width                          | $t_{CL}$    | 0.45                   | 0.55 | 0.45                   | 0.55 | 0.45                   | 0.55 | CLK  |         |  |
| Data-Out edge to Clock edge Skew               | $t_{AC}$    | -0.75                  | 0.75 | -0.75                  | 0.75 | -0.8                   | 0.8  | ns   |         |  |
| DQS-Out edge to Clock edge Skew                | $t_{DQSCK}$ | -0.75                  | 0.75 | -0.75                  | 0.75 | -0.8                   | 0.8  | ns   |         |  |
| DQS-Out edge to Data-Out edge Skew             | $t_{DQSQ}$  | -                      | 0.5  | -                      | 0.5  | -                      | 0.6  | ns   |         |  |
| Data-Out hold time from DQS                    | $t_{QH}$    | $t_{HPmin}$<br>-0.75ns | -    | $t_{HPmin}$<br>-0.75ns | -    | $t_{HPmin}$<br>-0.75ns | -    | ns   | 1       |  |
| Clock Half Period                              | $t_{HP}$    | $t_{CH/L}$<br>min      | -    | $t_{CH/L}$<br>min      | -    | $t_{CH/L}$<br>min      | -    | ns   | 1       |  |
| Input Setup Time (fast slew rate)              | $t_{IS}$    | 0.9                    | -    | 0.9                    | -    | 1.1                    | -    | ns   | 2,3,5,6 |  |
| Input Hold Time (fast slew rate)               | $t_{IH}$    | 0.9                    | -    | 0.9                    | -    | 1.1                    | -    | ns   | 2,3,5,6 |  |
| Input Setup Time (slow slew rate)              | $t_{IS}$    | 1.0                    | -    | 1.0                    | -    | 1.1                    | -    | ns   | 2,4,5,6 |  |
| Input Hold Time (slow slew rate)               | $t_{IH}$    | 1.0                    | -    | 1.0                    | -    | 1.1                    | -    | ns   | 2,4,5,6 |  |
| Input Pulse Width                              | $t_{IPW}$   | 2.2                    | -    | 2.2                    | -    | -                      | -    | ns   | 6       |  |
| Write DQS High Level Width                     | $t_{DQSH}$  | 0.4                    | 0.6  | 0.4                    | 0.6  | 0.4                    | 0.6  | CLK  |         |  |
| Write DQS Low Level Width                      | $t_{DQSL}$  | 0.4                    | 0.6  | 0.4                    | 0.6  | 0.4                    | 0.6  | CLK  |         |  |
| CLK to First Rising edge of DQS-In             | $t_{DQSS}$  | 0.75                   | 1.25 | 0.75                   | 1.25 | 0.75                   | 1.25 | CLK  |         |  |
| Data-In Setup Time to DQS-In (DQ & DM)         | $t_{DS}$    | 0.5                    | -    | 0.5                    | -    | 0.6                    | -    | ns   | 7       |  |
| Data-in Hold Time to DQS-In (DQ & DM)          | $t_{DH}$    | 0.5                    | -    | 0.5                    | -    | 0.6                    | -    | ns   | 7       |  |
| DQ & DM Input Pulse Width                      | $t_{DIPW}$  | 1.75                   | -    | 1.75                   | -    | 2                      | -    | ns   |         |  |
| Read DQS Preamble Time                         | $t_{RPRE}$  | 0.9                    | 1.1  | 0.9                    | 1.1  | 0.9                    | 1.1  | CLK  |         |  |
| Read DQS Postamble Time                        | $t_{RPST}$  | 0.4                    | 0.6  | 0.4                    | 0.6  | 0.4                    | 0.6  | CLK  |         |  |

**AC Characteristics (cont.)**

| Parameter                             | Symbol             | (PC1600) |      | (PC2100B) |      | (PC2100A) |      | Unit | Note |
|---------------------------------------|--------------------|----------|------|-----------|------|-----------|------|------|------|
|                                       |                    | Min      | Max  | Min       | Max  | Min       | Max  |      |      |
| Write DQS Preamble Setup Time         | t <sub>WPRES</sub> | 0        | -    | 0         | -    | 0         | -    | CLK  |      |
| Write DQS Preamble Hold Time          | t <sub>WPREH</sub> | 0.25     | -    | 0.25      | -    | 0.25      | -    | CLK  |      |
| Write DQS Postamble Time              | t <sub>WPST</sub>  | 0.4      | 0.6  | 0.4       | 0.6  | 0.4       | 0.6  | CLK  |      |
| Mode Register Set Delay               | t <sub>MRD</sub>   | 2        | -    | 2         | -    | 2         | -    | CLK  |      |
| Power Down Exit Time                  | t <sub>PDEX</sub>  | 10       | -    | 10        | -    | 10        | -    | ns   |      |
| Exit Self Refresh to Non-Read Command | t <sub>XSNR</sub>  | 75       | -    | 75        | -    | 80        | -    | ns   |      |
| Exit Self Refresh to Read Command     | t <sub>XSRD</sub>  | 200      | -    | 200       | -    | 200       | -    | CLK  | 8    |
| Average Periodic Refresh Interval     | t <sub>REFI</sub>  | -        | 15.6 | -         | 15.6 | -         | 15.6 | us   |      |

- Notes:**
1. This calculation accounts for tDQSQ(max), the pulse width distortion of on-chip circuit and jitter.
  2. Data sampled at the rising edges of the clock : A0~A11, BA0~BA1, CKE, CS, RAS, CAS, WE.
  3. For command/address input slew rate >=1.0V/ns
  4. For command/address input slew rate >=0.5V/ns and <1.0V/ns
  5. CK,  $\overline{CK}$  slew rates are >=1.0V/ns
  6. These parameters guarantee device timing, but they are not necessarily tested on each device, and they may be guaranteed by design or tester correlation.
  7. Data latched at both rising and falling edges of Data Strobes(DQS) : DQ, DM
  8. Minimum of 200 cycles of stable input clocks after Self Refresh Exit command, where CKE is held high, is required to complete Self Refresh Exit and lock the internal DLL circuit of DDR SDRAM.

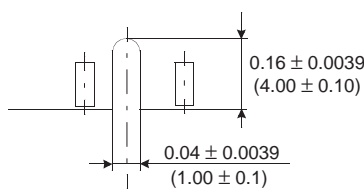
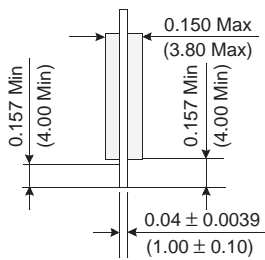
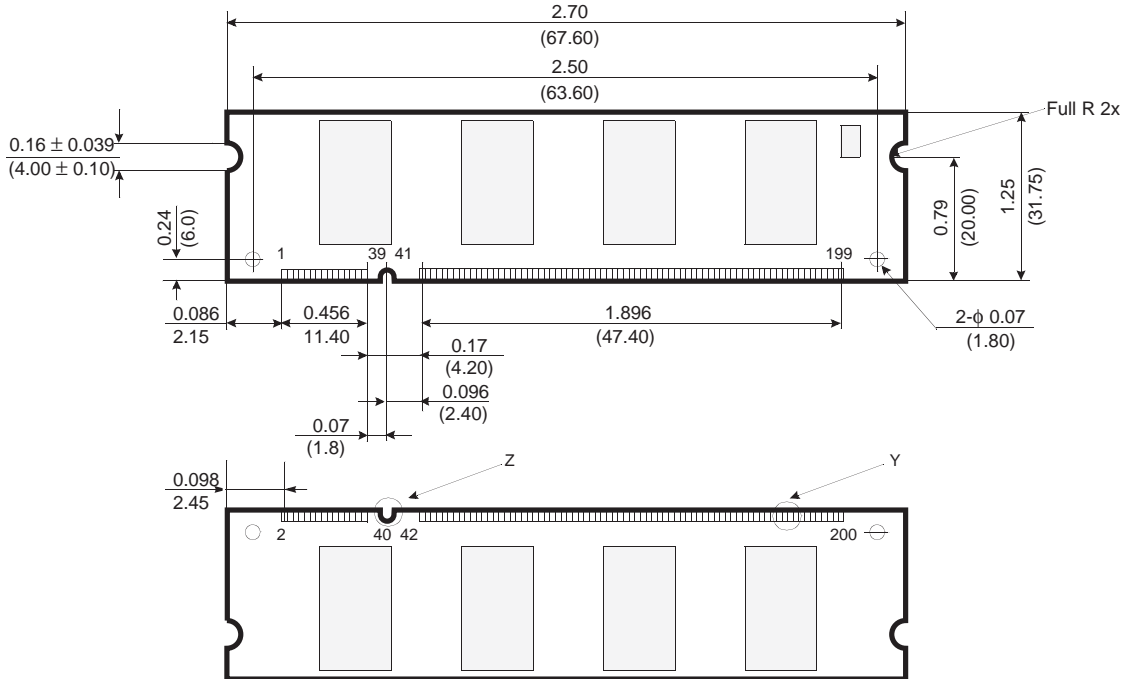
**Absolute Maximum Ratings**

| Parameter   | Symbol                             | Rating     | Unit     |
|---|------------------------------------|------------|----------|
| Ambient Temperature                                     | T <sub>A</sub>                     | 0 ~ 70     | °C       |
| Storage Temperature                                     | T <sub>STG</sub>                   | -55 ~ 125  | °C       |
| Voltage on Any Pin relative to V <sub>SS</sub>          | V <sub>IN</sub> , V <sub>OUT</sub> | -0.5 ~ 3.6 | V        |
| Voltage on V <sub>DD</sub> relative to V <sub>SS</sub>  | V <sub>DD</sub>                    | -0.5 ~ 3.6 | V        |
| Voltage on V <sub>DDQ</sub> relative to V <sub>SS</sub> | V <sub>DDQ</sub>                   | -0.5 ~ 3.6 | V        |
| Output Short Circuit Current                            | I <sub>OS</sub>                    | 50         | mA       |
| Power Dissipation                                       | P <sub>D</sub>                     | 8          | W        |
| Soldering Temperature • Time                            | T <sub>SOLDER</sub>                | 260 • 10   | °C • Sec |

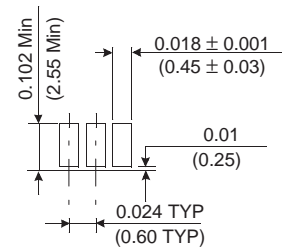
**Note:** Operation at above absolute maximum rating can adversely affect device reliability

**Package Dimensions**

Units : Inches (Millimeters)



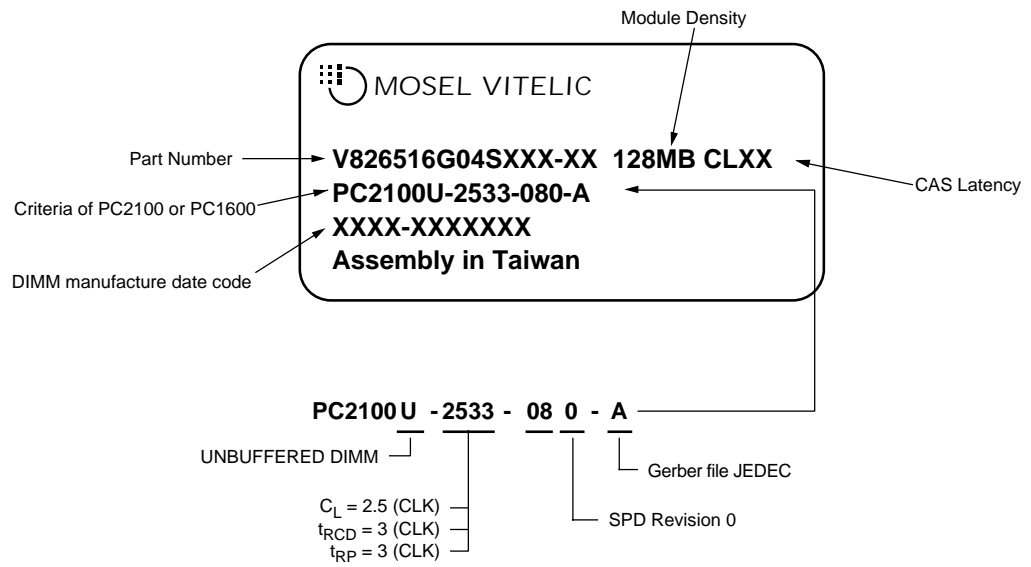
**Detail Z**



**Detail Y**

Tolerances : ±.006(.15) unless otherwise specified

**Label Information**



**WORLDWIDE OFFICES****U.S.A.**

3910 NORTH FIRST STREET  
SAN JOSE, CA 95134  
PHONE: 408-433-6000  
FAX: 408-433-0952

**TAIWAN**

7F, NO. 102  
MIN-CHUAN E. ROAD, SEC. 3  
TAIPEI  
PHONE: 886-2-2545-1213  
FAX: 886-2-2545-1209

NO 19 LI HSIN ROAD  
SCIENCE BASED IND. PARK  
HSIN CHU, TAIWAN, R.O.C.  
PHONE: 886-3-579-5888  
FAX: 886-3-566-5888

**SINGAPORE**

10 ANSON ROAD #23-13  
INTERNATIONAL PLAZA  
SINGAPORE 079903  
PHONE: 65-3231801  
FAX: 65-3237013

**JAPAN**

ONZE 1852 BUILDING 6F  
2-14-6 SHINTOMI, CHUO-KU  
TOKYO 104-0041  
PHONE: 03-3537-1400  
FAX: 03-3537-1402

**UK & IRELAND**

SUITE 50, GROVEWOOD  
BUSINESS CENTRE  
STRATHCLYDE BUSINESS  
PARK  
BELLSHILL, LANARKSHIRE,  
SCOTLAND, ML4 3NQ  
PHONE: 44-1698-748515  
FAX: 44-1698-748516

**GERMANY  
(CONTINENTAL  
EUROPE & ISRAEL)**

BENZSTRASSE 32  
71083 HERRENBERG  
GERMANY  
PHONE: +49 7032 2796-0  
FAX: +49 7032 2796 22

**U.S. SALES OFFICES****WEST**

3910 NORTH FIRST STREET  
SAN JOSE, CA 95134  
PHONE: 408-433-6000  
FAX: 408-433-0952

**CENTRAL / EAST**

604 FIELDWOOD CIRCLE  
RICHARDSON, TX 75081  
PHONE: 214-352-3775  
FAX: 214-904-9029

---

The information in this document is subject to change without notice.

MOSEL VITELIC makes no commitment to update or keep current the information contained in this document. No part of this document may be copied or reproduced in any form or by any means without the prior written consent of MOSEL-VITELIC.

MOSEL VITELIC subjects its products to normal quality control sampling techniques which are intended to provide an assurance of high quality products suitable for usual commercial applications. MOSEL VITELIC does not do testing appropriate to provide 100% product quality assurance and does not assume any liability for consequential or incidental arising from any use of its products. If such products are to be used in applications in which personal injury might occur from failure, purchaser must do its own quality assurance testing appropriate to such applications.