

**64 MB 200-PIN DDR UNBUFFERED SODIMM  
2.5 VOLT 8M x 64****Features**

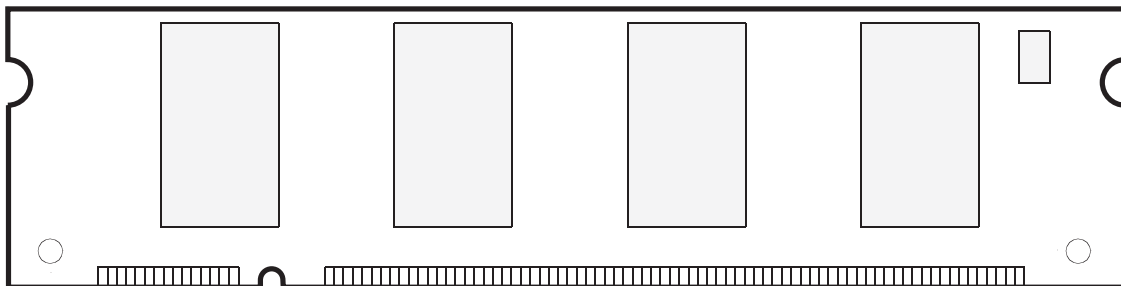
- JEDEC 200 Pin DDR Unbuffered Small-Outline, Dual In-Line memory module (SODIMM); 8,388,608 x 64 bit organization.
- Utilizes High Performance 8M x 16 DDR SDRAM in TSOPII-66 Packages
- Single +2.5V ( $\pm 0.2V$ ) Power Supply
- Programmable CAS Latency, Burst Length, and Wrap Sequence (Sequential & Interleave)
- Auto Refresh (CBR) and Self Refresh
- All Inputs, Outputs are SSTL-2 Compatible
- 4096 Refresh Cycles every 64 ms
- Serial Presence Detect (SPD)
- DDR SDRAM Performance

**Description**

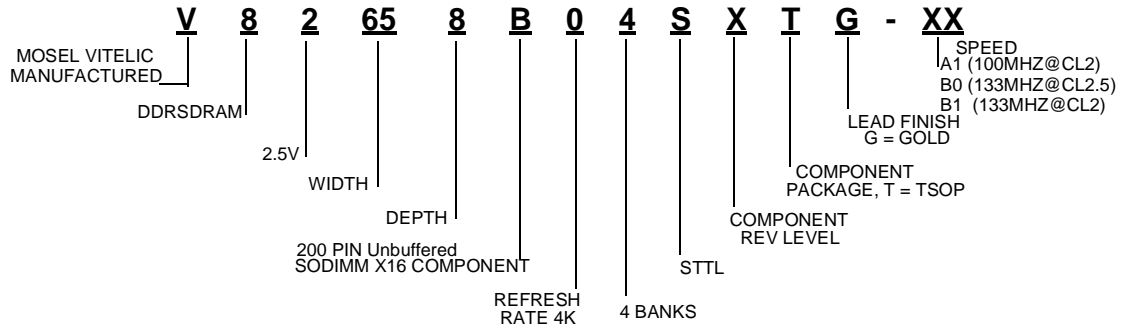
The V82658B04S memory module is organized 8,388,608 x 64 bits in a 200 pin memory module. The 8M x 64 memory module uses 4 Mosel-Vitellic 8M x 16 DDR SDRAM. The x64 modules are ideal for use in high performance computer systems where increased memory density and fast access times are required.

	Component Used	-7	-75	-8	Units
$t_{CK}$	Clock Frequency (max.)	143 (PC266A)	133 (PC266B)	125 (PC200)	MHz
$t_{AC}$	Clock Access Time CAS Latency = 2.5	7	7.5	8	ns

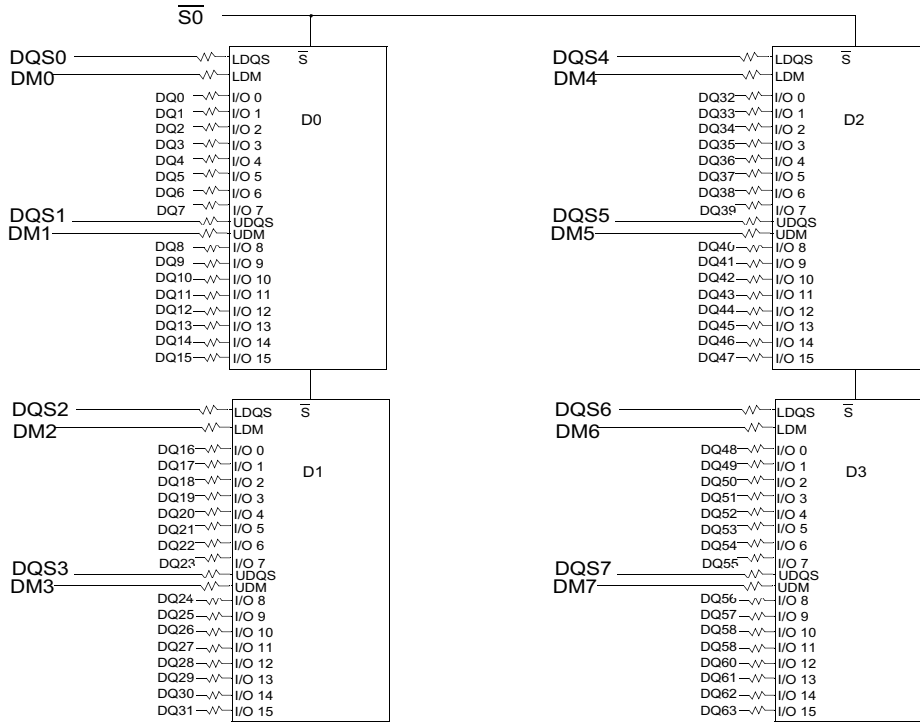
Module Speed	
A1	PC1600 (100MHz @ CL2)
B0	PC2100B (133MHz @ CL2.5)
B1	PC2100A (133MHz @ CL2)



**Part Number Information**

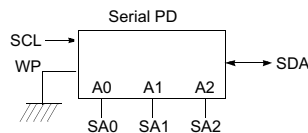
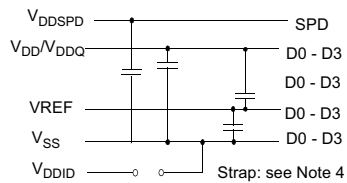
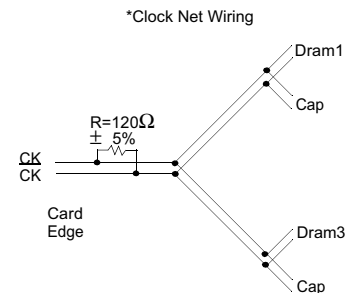


Block Diagram



- BA0 - BA1 → BA0-BA1: DDR SDRAMs D0 - D3
- A0 - A13 → A0-A13: DDR SDRAMs D0 - D3
- RAS → RAS: SDRAMs D0 - D3
- CAS → CAS: SDRAMs D0 - D3
- CKE0 → CKE: SDRAMs D0 - D3
- WE → WE: SDRAMs D0 - D3

Clock Wiring	
Clock Input	SDRAMs
CK0/CK0	2 SDRAMs
CK1/CK1	2 SDRAMs
CK2/CK2	NC



- Notes:
1. DQ-to-I/O wiring is shown as recommended but may be changed.
  2. DQ/DQS/DM/CKE/CS relationships must be maintained as shown.
  3. DQ, DQS, DM/DQS resistors: 22 Ohms.
  4. VDDID strap connections (for memory device VDD, VDDQ):  
STRAP OUT (OPEN): VDD = VDDQ  
STRAP IN (VSS): VDD ≠ VDDQ.

**Pin Configurations (Front Side/Back Side)**

Pin	Front	Pin	Front	Pin	Front	Pin	Back	Pin	Back	Pin	Back
1	VREF	67	DQ27	135	DQ34	2	VREF	68	DQ31	136	DQ38
3	VSS	69	VDD	137	VSS	4	VSS	70	VDD	138	VSS
5	DQ0	71	CB0	139	DQ35	6	DQ4	72	CB4	140	DQ39
7	DQ1	73	CB1	141	DQ40	8	DQ5	74	CB5	142	DQ44
9	VDD	75	VSS	143	VDD	10	VDD	76	VSS	144	VDD
11	DQS0	77	DQS8	145	DQ41	12	DM0	78	DM8	146	DQ45
13	DQ2	79	CB2	147	DQS5	14	DQ6	80	CB6	148	DM5
15	VSS	81	VDD	149	VSS	16	VSS	82	VDD	150	VSS
17	DQ3	83	CB3	151	DQ42	18	DQ7	84	CB7	152	DQ46
19	DQ8	85	DU	153	DQ43	20	DQ12	86	DU/(RESET)	154	DQ47
21	VDD	87	VSS	155	VDD	22	VDD	88	VSS	156	VDD
23	DQ9	89	CK2	157	VDD	24	DQ13	90	VSS	158	CK1
25	DQS1	91	CK2	159	VSS	26	DM1	92	VDD	160	CK1
27	VSS	93	VDD	161	VSS	28	VSS	94	VDD	162	VSS
29	DQ10	95	CKE1	163	DQ48	30	DQ14	96	CKE0	164	DQ52
31	DQ11	97	DU(A13)	165	DQ49	32	DQ15	98	DU(BA2)	166	DQ53
33	VDD	99	A12	167	VDD	34	VDD	100	A11	168	VDD
35	CK0	101	A9	169	DQS6	36	VDD	102	A8	170	DM6
37	CK0	103	VSS	171	DQ50	38	VSS	104	VSS	172	DQ54
39	VSS	105	A7	173	VSS	40	VSS	106	A6	174	VSS
Key		107	A5	175	DQ51	Key		108	A4	176	DQ55
41	DQ16	109	A3	177	DQ56	42	DQ20	110	A2	178	DQ60
43	DQ17	111	A1	179	VDD	44	DQ21	112	A0	180	VDD
45	VDD	113	VDD	181	DQ57	46	VDD	114	VDD	182	DQ61
47	DQS2	115	A10/AP	183	DQS7	48	DM2	116	BA1	184	DM7
49	DQ18	117	BA0	185	DQ58	50	DQ22	118	RAS	186	VSS
51	VSS	119	WE	187	DQ58	52	VSS	120	CAS	188	DQ62
53	DQ19	121	S0	189	DQ59	54	DQ23	122	S1	190	DQ63
55	DQ24	123	DU	191	VDD	56	DQ28	124	DU	192	VDD
57	VDD	125	VSS	193	SDA	58	VDD	126	VSS	194	SA0
59	DQ25	127	DQ32	195	SCL	60	DQ29	128	DQ36	196	SA1
61	DQS3	129	DQ33	197	VDDSPD	62	DM3	130	DQ37	198	SA2
63	VSS	131	VDD	199	VDDID	64	VSS	132	VDD	200	DU
65	DQ26	133	DQS4			66	DQ30	134	DM4		

**Notes:**

\* These pins are not used in this module.

**Pin Names**

Pin	Pin Description
A0-A11	Address Input (Multiplexed)
BA0-BA1	Bank Select Address
DQ0-DQ63	Data Input/Output
DQS0-DQS7	Data Strobe Input/Output
CK0-CK2, CK0-CK2	Clock Input
CKE0	Clock Enable Input
CS0	Chip Select Input
RAS	Row Address Strobe
CAS	Column Address Strobe
WE	Write Enable
DM0-DM7	Data - In Mask

Pin	Pin Description
VDD	Power Supply (2.5V)
VDDQ	Power Supply for DQS(2.5V)
VSS	Ground
VREF	Power Supply for Reference
VDDSPD	Serial EEPROM Power Supply (2.3V to 3.6V)
SDA	Serial Data I/O
SCL	Serial Clock
SA0-2	Address in EEPROM
VDDID	VDD Identification Flag
NC	No Connection

**Serial Presence Detect Information**

Bin Sort:

A1 (PC1600 @ CL2)

B0 (PC2100B @ CL2.5)

B1 (PC2100A @ CL2)

Byte #	Function described	Function Supported			Hex value		
		A1	B0	B1	A1	B0	B1
0	Defines # of Bytes written into serial memory at module manufacturer	128bytes			80h		
1	Total # of Bytes of SPD memory device	256bytes			08h		
2	Fundamental memory type	SDRAM DDR			07h		
3	# of row address on this assembly	12			0Ch		
4	# of column address on this assembly	9			09h		
5	# of module Rows on this assembly	1Bank			01h		
6	Data width of this assembly	64 bits			40h		
7	Data width of this assembly	-			00h		
8	VDDQ and interface standard of this assembly	SSTL 2.5V			04h		
9	DDR SDRAM cycle time at CAS Latency =2.5	8ns	7.5ns	7ns	80h	75h	70h
10	DDR SDRAM Access time from clock at CL=2.5	±0.8ns	±0.75ns	±0.70ns	80h	75h	70h
11	DIMM configuration type(Non-parity, Parity, ECC)	Non-parity, ECC			00		
12	Refresh rate & type	15.6us & Self refresh			80h		
13	Primary DDR SDRAM width	x16			10h		
14	Error checking DDR SDRAM data width	x0			00h		
15	Minimum clock delay for back-to-back random column address	t <sub>CCD</sub> =1CLK			01h		
16	DDR SDRAM device attributes : Burst lengths supported	2,4,8			0Eh		
17	DDR SDRAM device attributes : # of banks on each DDR SDRAM	4 banks			04h		
18	DDR SDRAM device attributes : CAS Latency supported	2,2.5			0Ch		
19	DDR SDRAM device attributes : CS Latency	0CLK			01h		
20	DDR SDRAM device attributes : WE Latency	1CLK			02h		
21	DDR SDRAM module attributes	Unbuffered Diff Clock			20h		
22	DDR SDRAM device attributes : General	+/-0.2V voltage tolerance			00h		
23	DDR SDRAM cycle time at CL =2	10ns	10ns	7.5ns	A0h	A0h	75h
24	DDR SDRAM Access time from clock at CL =2	±0.8ns	±0.8ns	±0.75ns	80h	80h	75h
25	DDR SDRAM cycle time at CL =1.5	-	-	-	00h		
26	DDR SDRAM Access time from clock at CL =1.5	-	-	-	00h		
27	Minimum row precharge time (=t <sub>RP</sub> )	20ns	20ns	18ns	50h	50h	48h
28	Minimum row activate to row active delay(=t <sub>R RD</sub> )	15ns	15ns	14ns	3Ch	3Ch	38h

**Serial Presence Detect Information (cont.)**

Byte #	Function described	Function Supported			Hex value		
		A1	B0	B1	A1	B0	B1
29	Minimum RAS to CAS delay(= $t_{RCD}$ )	20ns	20ns	18ns	50h	50h	48h
30	Minimum active to precharge time(= $t_{RAS}$ )	50ns	45ns	45ns	32h	2Dh	2Dh
31	Module ROW density	64MB			10h		
32	Command and address signal input setup time	1.1ns	0.9ns	0.9ns	B0h	90h	90h
33	Command and address signal input hold time	1.1ns	0.9ns	0.9ns	B0h	90h	90h
34	Data signal input setup time	0.6ns	0.5ns	0.5ns	60h	50h	50h
35	Data signal input hold time	0.6ns	0.5ns	0.5ns	60h	50h	50h
36-40	Superset information (may be used in future)	-			00h		
41	SDRAM device minimum active to active/auto-refresh time (= $t_{RC}$ )	70ns	65ns	60ns	46h	41h	3Ch
42	SDRAM device minimum active to autorefresh to active/auto-refresh time (= $t_{RFC}$ )	80ns	75ns	67ns	50h	4Bh	43h
43	SDRAM device maximum device cycle time (= $t_{CK MAX}$ )	12ns	12ns	12ns	30h	30h	30h
44	SDRAM device maximum skew between DQS and DQ signals (= $t_{DQSQ}$ )	0.6ns	0.5ns	0.5ns	3Ch	32h	32h
45	SDRAM device maximum read datahold skew factor (= $t_{QHS}$ )	1ns	0.75ns	0.75ns	A0h	75h	75h
46-61	Superset information (may be used in future)	-			00h		
62	SPD data revision code	Initial release			00h		
63	Checksum for Bytes 0 ~ 62	-			BBh	01h	A0h
64	Manufacturer JEDEC ID code	Mosel Vitelic			40h		
65 -71	..... Manufacturer JEDEC ID code	Mosel Vitelic			00h		
72	Manufacturing location				01h		
73-90	Module part number (ASCII)	V82658B04S					
91	Manufacturer revision code (For PCB)	0			00		
92	Manufacturer revision code (For component)	0			00		
93	Manufacturing date (Week)	-			-		
94	Manufacturing date (Year)	-			-		
95-98	Assembly serial #	-			-		
99~127	Manufacturer specific data (may be used in future)	Undefined			00h		
128~255	Open for customer use	Undefined			00h		

**DC Operating Conditions**

(T<sub>A</sub> = 0 to 70°C, Voltage referenced to V<sub>SS</sub> = 0V)

Parameter	Symbol	Min	Typ.	Max	Unit	Note
Power Supply Voltage	V <sub>DD</sub>	2.3	2.5	2.7	V	
Power Supply Voltage	V <sub>DDQ</sub>	2.3	2.5	2.7	V	1
Input High Voltage	V <sub>IH</sub>	V <sub>REF</sub> + 0.15	-	V <sub>DDQ</sub> + 0.3	V	
Input Low Voltage	V <sub>IL</sub>	-0.3	-	V <sub>REF</sub> - 0.15	V	2
I/O Termination Voltage	V <sub>TT</sub>	V <sub>REF</sub> - 0.04	V <sub>REF</sub>	V <sub>REF</sub> + 0.04	V	
Reference Voltage	V <sub>REF</sub>	1.15	1.25	1.35	V	3
Input Leakage Current	I <sub>I</sub>	-2	-	2	μA	
Output Leakage Current	I <sub>Oz</sub>	-5	-	5	μA	
Output High Current (V <sub>OUT</sub> = 1.95V)	I <sub>OH</sub>	-16.8	-	-	mA	
Output Low Current (V <sub>OUT</sub> = 0.35V)	I <sub>OL</sub>	16.8	-	-	mA	

- Notes:** 1. V<sub>DDQ</sub> must not exceed the level of V<sub>DD</sub>.  
 2. V<sub>IL</sub> (min) is acceptable -1.5V AC pulse width with δ 5ns of duration.  
 3. The value of V<sub>REF</sub> is approximately equal to 0.5V<sub>DDQ</sub>.

**AC Operating Conditions**

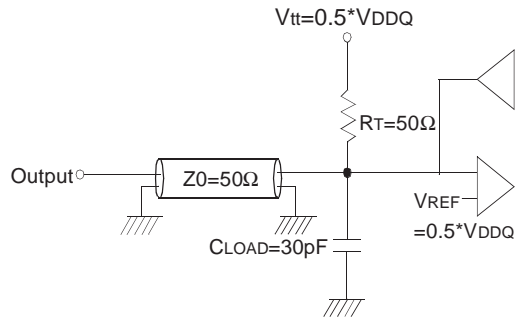
(T<sub>A</sub> = 0 to 70 °C, Voltage referenced to V<sub>SS</sub> = 0V)

Parameter	Symbol	Min	Max	Unit	Note
Input High (Logic 1) Voltage, DQ, DQS and DM signals	V <sub>IH(AC)</sub>	V <sub>REF</sub> + 0.31		V	
Input Low (Logic 0) Voltage, DQ, DQS and DM signals	V <sub>IL(AC)</sub>		V <sub>REF</sub> - 0.31	V	
Input Differential Voltage, CK and $\overline{CK}$ inputs	V <sub>ID(AC)</sub>	0.7	V <sub>DDQ</sub> + 0.6	V	1
Input Crossing Point Voltage, CK and $\overline{CK}$ inputs	V <sub>IX(AC)</sub>	0.5*V <sub>DDQ</sub> -0.2	0.5*V <sub>DDQ</sub> +0.2	V	2

- Notes:** 1. VID is the magnitude of the difference between the input level on CK and the input on  $\overline{CK}$ .  
 2. The value of VIX is expected to equal 0.5\*V<sub>DDQ</sub> of the transmitting device and must track variations in the DC level of the same.

**AC Operating Test Conditions** ( $T_A = 0$  to  $70^\circ\text{C}$ , Voltage referenced to  $V_{SS} = 0\text{V}$ )

Parameter	Value	Unit
Reference Voltage	$V_{DDQ} \times 0.5$	V
Termination Voltage	$V_{DDQ} \times 0.5$	V
AC Input High Level Voltage ( $V_{IH}$ , min)	$V_{REF} + 0.31$	V
AC Input Low Level Voltage ( $V_{IL}$ , max)	$V_{REF} - 0.31$	V
Input Timing Measurement Reference Level Voltage	$V_{REF}$	V
Output Timing Measurement Reference Level Voltage	$V_{TT}$	V
Input Signal maximum peak swing	1.5	V
Input minimum Signal Slew Rate	1	V/ns
Termination Resistor ( $R_T$ )	50	$\Omega$
Series Resistor ( $R_S$ )	25	$\Omega$
Output Load Capacitance for Access Time Measurement ( $C_L$ )	30	pF



Output Load Circuit (SSTL\_2)

**Input/Output Capacitance**

( $V_{DD} = 2.5\text{V}$ ,  $V_{DDQ} = 2.5\text{V}$ ,  $T_A = 25^\circ\text{C}$ ,  $f = 1\text{MHz}$ )

Parameter	Symbol	Min	Max	Unit
Input capacitance ( $A_0 \sim A_{11}$ , $BA_0 \sim BA_1$ , $\overline{RAS}$ , $\overline{CAS}$ , $\overline{WE}$ )	$C_{IN1}$	36	45	pF
Input capacitance ( $CKE_0$ )	$C_{IN2}$	36	45	pF
Input capacitance ( $\overline{CS}_0$ )	$C_{IN3}$	34	42	pF
Input capacitance ( $CLK_1$ , $CLK_2$ )	$C_{IN4}$	34	38	pF
Data & DQS input/output capacitance ( $DQ_0 \sim DQ_{63}$ )	$C_{OUT}$	8	9	pF
Input capacitance ( $DM_0 \sim DM_8$ )	$C_{IN5}$	8	9	pF



**DDR SDRAM I<sub>DD</sub> SPEC TABLE**

Symbol	B1(DDR266@CL=2)		B0(DDR266@CL=2.5)		A1(DDR200@CL=2)		Unit	Notes
	Typical	Worst	Typical	Worst	Typical	Worst		
IDD0	410	470	410	470	370	410	mA	
IDD1	510	590	510	590	470	550	mA	
IDD2P	110	130	110	130	90	110	mA	
IDD2F	210	250	210	250	190	210	mA	
IDD2Q	170	190	170	190	150	170	mA	
IDD3P	150	170	150	170	130	150	mA	
IDD3N	230	270	230	270	190	230	mA	
IDD4R	730	850	730	850	610	750	mA	
IDD4W	770	910	770	910	650	810	mA	
IDD5	770	870	770	870	730	810	mA	
IDD6	Normal	8	8	8	8	8	mA	
	Low power	4	4	4	4	4	mA	Optional
IDD7A	1390	1610	1390	1610	1130	1330	mA	

\* Module I<sub>DD</sub> was calculated on the basis of component I<sub>DD</sub> and can be differently measured according to DQ loading cap.

**Detailed test conditions for DDR SDRAM IDD1 & IDD**

**IDD1 : Operating current: One bank operation**

1. Typical Case : V<sub>dd</sub> = 2.5V, T=25' C
2. Worst Case : V<sub>dd</sub> = 2.7V, T= 10' C
3. Only one bank is accessed with t<sub>RC</sub>(min), Burst Mode, Address and Control inputs on NOP edge are changing once per clock cycle. I<sub>out</sub> = 0mA
4. Timing patterns
  - DDR200(100Mhz, CL=2) : t<sub>CK</sub> = 10ns, CL2, BL=4, t<sub>RCD</sub> = 2\*t<sub>CK</sub>, t<sub>RAS</sub> = 5\*t<sub>CK</sub>  
 Read : A0 N R0 N N P0 N A0 N - repeat the same timing with random address changing  
 \*50% of data changing at every burst
  - DDR266B(133Mhz, CL=2.5) : t<sub>CK</sub> = 7.5ns, CL=2.5, BL=4, t<sub>RCD</sub> = 3\*t<sub>CK</sub>, t<sub>RC</sub> = 9\*t<sub>CK</sub>, t<sub>RAS</sub> = 5\*t<sub>CK</sub>  
 Read : A0 N N R0 N P0 N N A0 N - repeat the same timing with random address changing  
 \*50% of data changing at every burst
  - DDR266A (133Mhz, CL=2) : t<sub>CK</sub> = 7.5ns, CL=2, BL=4, t<sub>RCD</sub> = 3\*t<sub>CK</sub>, t<sub>RC</sub> = 9\*t<sub>CK</sub>, t<sub>RAS</sub> = 5\*t<sub>CK</sub>  
 Read : A0 N N R0 N P0 N N A0 N - repeat the same timing with random address changing  
 \*50% of data changing at every burst

Legend : A=Activate, R=Read, W=Write, P=Precharge, N=NOP

**AC Characteristics** (AC operating conditions unless otherwise noted)

Parameter	Symbol	(PC1600)		(PC2100B)		(PC2100A)		Unit	Note	
		Min	Max	Min	Max	Min	Max			
Row Cycle Time	$t_{RC}$	60	-	65	-	70	-	ns		
Auto Refresh Row Cycle Time	$t_{RFC}$	67	-	75	-	80	-	ns		
Row Active Time	$t_{RAS}$	45	120K	48	120K	50	120K	ns		
Row Address to Column Address Delay	$t_{RCD}$	18	-	20	-	20	-	ns		
Row Active to Row Active Delay	$t_{RRD}$	14	-	15	-	15	-	ns		
Column Address to Column Address Delay	$t_{CCD}$	1	-	1	-	1	-	CLK		
Row Precharge Time	$t_{RP}$	18	-	20	-	20	-	ns		
Write Recovery Time	$t_{WR}$	15	-	15	-	15	-	ns		
Last Data-In to Read Command	$t_{DRL}$	1	-	1	-	1	-	CLK		
Auto Precharge Write Recovery + Precharge Time	$t_{DAL}$	35	-	35	-	35	-	ns		
System Clock Cycle Time	$t_{CK}$	$\overline{CAS}$ Latency = 2.5	7	12	7.5	12	8	12	ns	
		$\overline{CAS}$ Latency = 2	7.5	12	10	12	10	12	ns	
Clock High Level Width	$t_{CH}$	0.45	0.55	0.45	0.55	0.45	0.55	CLK		
Clock Low Level Width	$t_{CL}$	0.45	0.55	0.45	0.55	0.45	0.55	CLK		
Data-Out edge to Clock edge Skew	$t_{AC}$	-0.75	0.75	-0.75	0.75	-0.8	0.8	ns		
DQS-Out edge to Clock edge Skew	$t_{DQSCK}$	-0.75	0.75	-0.75	0.75	-0.8	0.8	ns		
DQS-Out edge to Data-Out edge Skew	$t_{DQSQ}$	-	0.5	-	0.5	-	0.6	ns		
Data-Out hold time from DQS	$t_{QH}$	$t_{HPmin}$ -0.75ns	-	$t_{HPmin}$ -0.75ns	-	$t_{HPmin}$ -0.75ns	-	ns	1	
Clock Half Period	$t_{HP}$	$t_{CH/L}$ min	-	$t_{CH/L}$ min	-	$t_{CH/L}$ min	-	ns	1	
Input Setup Time (fast slew rate)	$t_{IS}$	0.9	-	0.9	-	1.1	-	ns	2,3,5,6	
Input Hold Time (fast slew rate)	$t_{IH}$	0.9	-	0.9	-	1.1	-	ns	2,3,5,6	
Input Setup Time (slow slew rate)	$t_{IS}$	1.0	-	1.0	-	1.1	-	ns	2,4,5,6	
Input Hold Time (slow slew rate)	$t_{IH}$	1.0	-	1.0	-	1.1	-	ns	2,4,5,6	
Input Pulse Width	$t_{IPW}$	2.2	-	2.2	-	-	-	ns	6	
Write DQS High Level Width	$t_{DQSH}$	0.4	0.6	0.4	0.6	0.4	0.6	CLK		
Write DQS Low Level Width	$t_{DQSL}$	0.4	0.6	0.4	0.6	0.4	0.6	CLK		
CLK to First Rising edge of DQS-In	$t_{DQSS}$	0.75	1.25	0.75	1.25	0.75	1.25	CLK		
Data-In Setup Time to DQS-In (DQ & DM)	$t_{DS}$	0.5	-	0.5	-	0.6	-	ns	7	
Data-in Hold Time to DQS-In (DQ & DM)	$t_{DH}$	0.5	-	0.5	-	0.6	-	ns	7	
DQ & DM Input Pulse Width	$t_{DIPW}$	1.75	-	1.75	-	2	-	ns		
Read DQS Preamble Time	$t_{RPRE}$	0.9	1.1	0.9	1.1	0.9	1.1	CLK		
Read DQS Postamble Time	$t_{RPST}$	0.4	0.6	0.4	0.6	0.4	0.6	CLK		

**AC Characteristics (cont.)**

Parameter	Symbol	(PC1600)		(PC2100B)		(PC2100A)		Unit	Note
		Min	Max	Min	Max	Min	Max		
Write DQS Preamble Setup Time	t <sub>WPRES</sub>	0	-	0	-	0	-	CLK	
Write DQS Preamble Hold Time	t <sub>WPREH</sub>	0.25	-	0.25	-	0.25	-	CLK	
Write DQS Postamble Time	t <sub>WPST</sub>	0.4	0.6	0.4	0.6	0.4	0.6	CLK	
Mode Register Set Delay	t <sub>MRD</sub>	2	-	2	-	2	-	CLK	
Power Down Exit Time	t <sub>PDEX</sub>	10	-	10	-	10	-	ns	
Exit Self Refresh to Non-Read Command	t <sub>XSNR</sub>	75	-	75	-	80	-	ns	
Exit Self Refresh to Read Command	t <sub>XSRD</sub>	200	-	200	-	200	-	CLK	8
Average Periodic Refresh Interval	t <sub>REFI</sub>	-	15.6	-	15.6	-	15.6	us	

- Notes:**
1. This calculation accounts for t<sub>DQSQ</sub>(max), the pulse width distortion of on-chip circuit and jitter.
  2. Data sampled at the rising edges of the clock : A0~A11, BA0~BA1, CKE, CS, RAS, CAS, WE.
  3. For command/address input slew rate >=1.0V/ns
  4. For command/address input slew rate >=0.5V/ns and <1.0V/ns
  5. CK,  $\overline{CK}$  slew rates are >=1.0V/ns
  6. These parameters guarantee device timing, but they are not necessarily tested on each device, and they may be guaranteed by design or tester correlation.
  7. Data latched at both rising and falling edges of Data Strobes(DQS) : DQ, DM
  8. Minimum of 200 cycles of stable input clocks after Self Refresh Exit command, where CKE is held high, is required to complete Self Refresh Exit and lock the internal DLL circuit of DDR SDRAM.

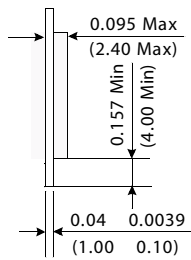
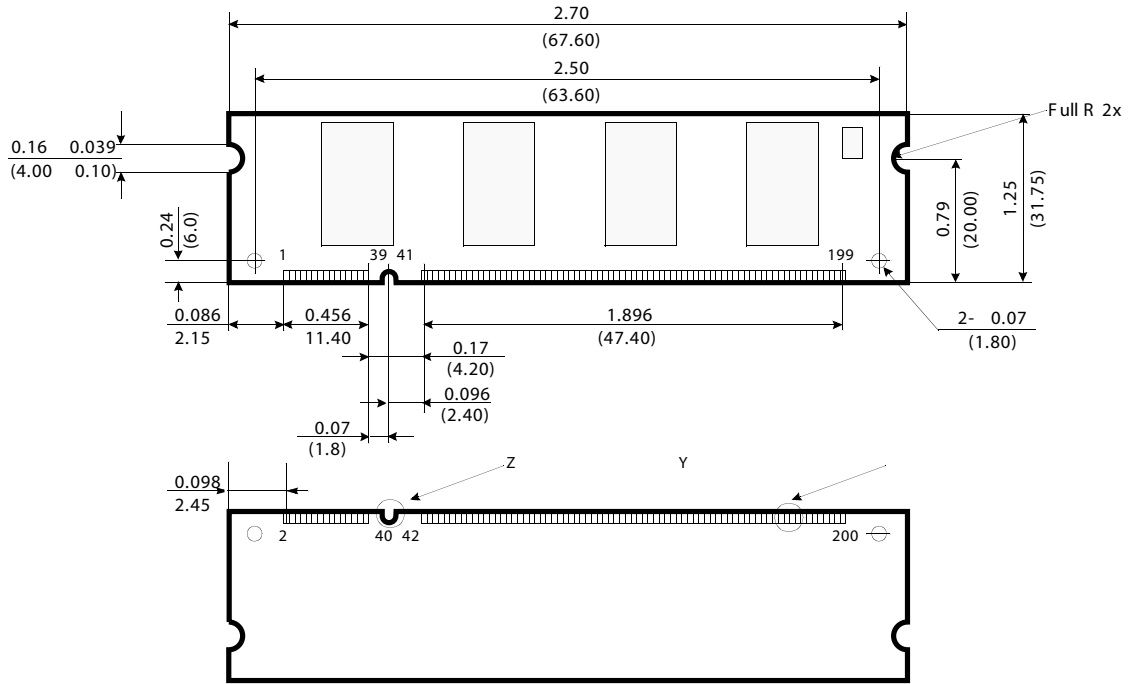
**Absolute Maximum Ratings**

Parameter	Symbol	Rating	Unit
Ambient Temperature	T <sub>A</sub>	0 ~ 70	°C
Storage Temperature	T <sub>STG</sub>	-55 ~ 125	°C
Voltage on Any Pin relative to V <sub>SS</sub>	V <sub>IN</sub> , V <sub>OUT</sub>	-0.5 ~ 3.6	V
Voltage on V <sub>DD</sub> relative to V <sub>SS</sub>	V <sub>DD</sub>	-0.5 ~ 3.6	V
Voltage on V <sub>DDQ</sub> relative to V <sub>SS</sub>	V <sub>DDQ</sub>	-0.5 ~ 3.6	V
Output Short Circuit Current	I <sub>OS</sub>	50	mA
Power Dissipation	P <sub>D</sub>	8	W
Soldering Temperature • Time	T <sub>SOLDER</sub>	260 • 10	°C • Sec

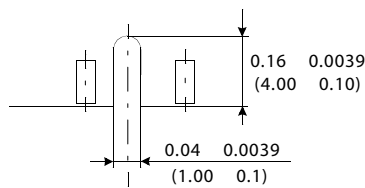
**Note:** Operation at above absolute maximum rating can adversely affect device reliability

**Package Dimensions**

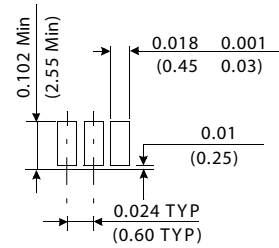
Units : Inches (Millimeters)



Detail Z

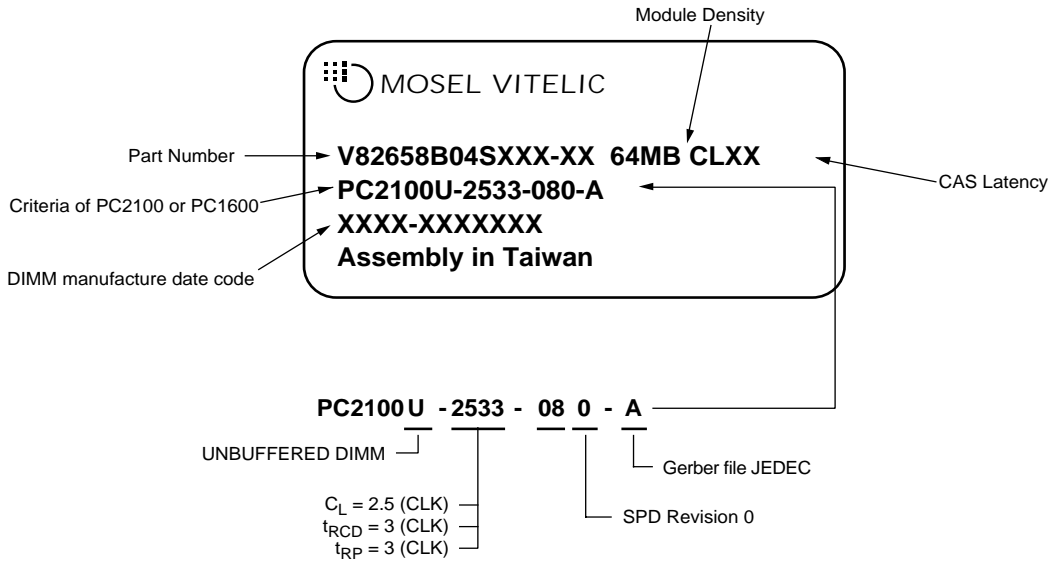


Detail Y



Tolerances : .006(.15) unless otherwise specified

**Label Information**



**WORLDWIDE OFFICES****U.S.A.**

3910 NORTH FIRST STREET  
SAN JOSE, CA 95134  
PHONE: 408-433-6000  
FAX: 408-433-0952

**TAIWAN**

7F, NO. 102  
MIN-CHUAN E. ROAD, SEC. 3  
TAIPEI  
PHONE: 886-2-2545-1213  
FAX: 886-2-2545-1209

**SINGAPORE**

10 ANSON ROAD #23-13  
INTERNATIONAL PLAZA  
SINGAPORE 079903  
PHONE: 65-3231801  
FAX: 65-3237013

**UK & IRELAND**

SUITE 50, GROVEWOOD  
BUSINESS CENTRE  
STRATHCLYDE BUSINESS  
PARK  
BELLSHILL, LANARKSHIRE,  
SCOTLAND, ML4 3NQ  
PHONE: 44-1698-748515  
FAX: 44-1698-748516

NO 19 LI HSIN ROAD  
SCIENCE BASED IND. PARK  
HSIN CHU, TAIWAN, R.O.C.  
PHONE: 886-3-579-5888  
FAX: 886-3-566-5888

**JAPAN**

ONZE 1852 BUILDING 6F  
2-14-6 SHINTOMI, CHUO-KU  
TOKYO 104-0041  
PHONE: 03-3537-1400  
FAX: 03-3537-1402

**GERMANY  
(CONTINENTAL  
EUROPE & ISRAEL)**

BENZSTRASSE 32  
71083 HERRENBERG  
GERMANY  
PHONE: +49 7032 2796-0  
FAX: +49 7032 2796 22

**U.S. SALES OFFICES****WEST**

3910 NORTH FIRST STREET  
SAN JOSE, CA 95134  
PHONE: 408-433-6000  
FAX: 408-433-0952

**CENTRAL / EAST**

604 FIELDWOOD CIRCLE  
RICHARDSON, TX 75081  
PHONE: 214-352-3775  
FAX: 214-904-9029

---

The information in this document is subject to change without notice.

MOSEL VITELIC makes no commitment to update or keep current the information contained in this document. No part of this document may be copied or reproduced in any form or by any means without the prior written consent of MOSEL-VITELIC.

MOSEL VITELIC subjects its products to normal quality control sampling techniques which are intended to provide an assurance of high quality products suitable for usual commercial applications. MOSEL VITELIC does not do testing appropriate to provide 100% product quality assurance and does not assume any liability for consequential or incidental arising from any use of its products. If such products are to be used in applications in which personal injury might occur from failure, purchaser must do its own quality assurance testing appropriate to such applications.