

Octal 3-State Noninverting Transparent Latch

High-Performance Silicon-Gate CMOS

The MC54/74HC573A is identical in pinout to the LS573. The devices are compatible with standard CMOS outputs; with pullup resistors, they are compatible with LSTTL outputs.

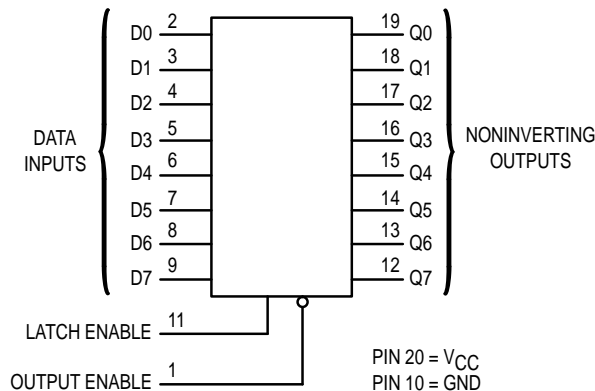
These latches appear transparent to data (i.e., the outputs change asynchronously) when Latch Enable is high. When Latch Enable goes low, data meeting the setup and hold time becomes latched.

The HC573A is identical in function to the HCT373A but has the data inputs on the opposite side of the package from the outputs to facilitate PC board layout.

The HC573A is the noninverting version of the HC563A.

- Output Drive Capability: 15 LSTTL Loads
- Outputs Directly Interface to CMOS, NMOS and TTL
- Operating Voltage Range: 2.0 to 6.0 V
- Low Input Current: 1.0 μ A
- In Compliance with the Requirements Defined by JEDEC Standard No. 7A
- Chip Complexity: 218 FETs or 54.5 Equivalent Gates

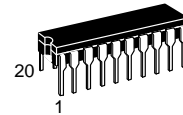
LOGIC DIAGRAM



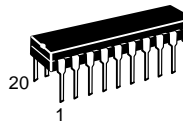
| Design Criteria | Value | Units |
|---------------------------------|--------|---------|
| Internal Gate Count* | 54.5 | ea. |
| Internal Gate Propagation Delay | 1.5 | ns |
| Internal Gate Power Dissipation | 5.0 | μ W |
| Speed Power Product | 0.0075 | pJ |

* Equivalent to a two-input NAND gate.

MC54/74HC573A



J SUFFIX
CERAMIC PACKAGE
CASE 732-03



N SUFFIX
PLASTIC PACKAGE
CASE 738-03



DW SUFFIX
SOIC PACKAGE
CASE 751D-04



DT SUFFIX
TSSOP PACKAGE
CASE 948E-02

ORDERING INFORMATION

| | |
|--------------|---------|
| MC54HCXXXAJ | Ceramic |
| MC74HCXXXAN | Plastic |
| MC74HCXXXADW | SOIC |
| MC74HCXXXADT | TSSOP |

PIN ASSIGNMENT

| | | | |
|---------------|----|----|-----------------|
| OUTPUT ENABLE | 1 | 20 | V _{CC} |
| D0 | 2 | 19 | Q0 |
| D1 | 3 | 18 | Q1 |
| D2 | 4 | 17 | Q2 |
| D3 | 5 | 16 | Q3 |
| D4 | 6 | 15 | Q4 |
| D5 | 7 | 14 | Q5 |
| D6 | 8 | 13 | Q6 |
| D7 | 9 | 12 | Q7 |
| GND | 10 | 11 | LATCH ENABLE |

FUNCTION TABLE

| Inputs | | | Output |
|---------------|--------------|---|-----------|
| Output Enable | Latch Enable | D | Q |
| L | H | H | H |
| L | H | L | L |
| L | L | X | No Change |
| H | X | X | Z |

X = Don't Care

Z = High Impedance



MC54/74HC573A

MAXIMUM RATINGS*

| Symbol | Parameter | Value | Unit |
|------------------|--|--------------------------------|------|
| V _{CC} | DC Supply Voltage (Referenced to GND) | - 0.5 to + 7.0 | V |
| V _{in} | DC Input Voltage (Referenced to GND) | - 0.5 to V _{CC} + 0.5 | V |
| V _{out} | DC Output Voltage (Referenced to GND) | - 0.5 to V _{CC} + 0.5 | V |
| I _{in} | DC Input Current, per Pin | ± 20 | mA |
| I _{out} | DC Output Current, per Pin | ± 35 | mA |
| I _{CC} | DC Supply Current, V _{CC} and GND Pins | ± 75 | mA |
| P _D | Power Dissipation in Still Air, Plastic or Ceramic DIP† | 750 | mW |
| | SOIC Package† | 500 | |
| | TSSOP Package† | 450 | |
| T _{stg} | Storage Temperature | - 65 to + 150 | °C |
| T _L | Lead Temperature, 1 mm from Case for 10 Seconds (Plastic DIP, TSSOP or SOIC Package) (Ceramic DIP) | 260 | °C |
| | | 300 | |

This device contains protection circuitry to guard against damage due to high static voltages or electric fields. However, precautions must be taken to avoid applications of any voltage higher than maximum rated voltages to this high-impedance circuit. For proper operation, V_{in} and V_{out} should be constrained to the range GND ≤ (V_{in} or V_{out}) ≤ V_{CC}. Unused inputs must always be tied to an appropriate logic voltage level (e.g., either GND or V_{CC}). Unused outputs must be left open.

* Maximum Ratings are those values beyond which damage to the device may occur. Functional operation should be restricted to the Recommended Operating Conditions.

† Derating — Plastic DIP: -10 mW/°C from 65° to 125°C
 Ceramic DIP: -10 mW/°C from 100° to 125°C
 SOIC Package: -7 mW/°C from 65° to 125°C
 TSSOP Package: -6.1 mW/°C from 65° to 125°C

For high frequency or heavy load considerations, see Chapter 2 of the Motorola High-Speed CMOS Data Book (DL129/D).

RECOMMENDED OPERATING CONDITIONS

| Symbol | Parameter | Min | Max | Unit | |
|------------------------------------|--|-------------------------|-----------------|------|----|
| V _{CC} | DC Supply Voltage (Referenced to GND) | 2.0 | 6.0 | V | |
| V _{in} , V _{out} | DC Input Voltage, Output Voltage (Referenced to GND) | 0 | V _{CC} | V | |
| T _A | Operating Temperature, All Package Types | - 55 | + 125 | °C | |
| t _r , t _f | Input Rise and Fall Time (Figure 1) | V _{CC} = 2.0 V | 0 | 1000 | ns |
| | | V _{CC} = 4.5 V | 0 | 500 | |
| | | V _{CC} = 6.0 V | 0 | 400 | |

DC ELECTRICAL CHARACTERISTICS (Voltages Referenced to GND)

| Symbol | Parameter | Test Conditions | V _{CC} V | Guaranteed Limit | | | Unit |
|-----------------|-----------------------------------|--|----------------------|------------------|--------|---------|------|
| | | | | - 55 to 25°C | ≤ 85°C | ≤ 125°C | |
| V _{IH} | Minimum High-Level Input Voltage | V _{out} = 0.1 V or V _{CC} - 0.1 V I _{out} ≤ 20 μA | 2.0 | 1.5 | 1.5 | 1.5 | V |
| | | | 3.0 | 2.1 | 2.1 | 2.1 | |
| | | | 4.5 | 3.15 | 3.15 | 3.15 | |
| | | | 6.0 | 4.2 | 4.2 | 4.2 | |
| V _{IL} | Maximum Low-Level Input Voltage | V _{out} = 0.1 V or V _{CC} - 0.1 V I _{out} ≤ 20 μA | 2.0 | 0.5 | 0.5 | 0.5 | V |
| | | | 3.0 | 0.9 | 0.9 | 0.9 | |
| | | | 4.5 | 1.35 | 1.35 | 1.35 | |
| | | | 6.0 | 1.8 | 1.8 | 1.8 | |
| V _{OH} | Minimum High-Level Output Voltage | V _{in} = V _{IH} or V _{IL} I _{out} ≤ 20 μA | 2.0 | 1.9 | 1.9 | 1.9 | V |
| | | | 4.5 | 4.4 | 4.4 | 4.4 | |
| | | | 6.0 | 5.9 | 5.9 | 5.9 | |
| | | V _{in} = V _{IH} or V _{IL} I _{out} ≤ 2.4 mA I _{out} ≤ 6.0 mA I _{out} ≤ 7.8 mA | 3.0 | 2.48 | 2.34 | 2.2 | |
| | | | 4.5 | 3.98 | 3.84 | 3.7 | |
| | | | 6.0 | 5.48 | 5.34 | 5.2 | |

NOTE: Information on typical parametric values can be found in Chapter 2 of the Motorola High-Speed CMOS Data Book (DL129/D).

DC ELECTRICAL CHARACTERISTICS (Voltages Referenced to GND)

| Symbol | Parameter | Test Conditions | V _{CC} V | Guaranteed Limit | | | Unit |
|-----------------|--|---|----------------------|------------------|--------|---------|------|
| | | | | – 55 to 25°C | ≤ 85°C | ≤ 125°C | |
| V _{OL} | Maximum Low-Level Output Voltage | V _{out} = 0.1 V or V _{CC} – 0.1 V I _{out} ≤ 20 μA | 2.0 | 0.1 | 0.1 | 0.1 | V |
| | | | 4.5 | 0.1 | 0.1 | 0.1 | |
| | | V _{in} = V _{IH} or V _{IL} I _{out} ≤ 2.4 mA | 3.0 | 0.26 | 0.33 | 0.4 | |
| | | I _{out} ≤ 6.0 mA | 4.5 | 0.26 | 0.33 | 0.4 | |
| | | I _{out} ≤ 7.8 mA | 6.0 | 0.26 | 0.33 | 0.4 | |
| I _{in} | Maximum Input Leakage Current | V _{in} = V _{CC} or GND | 6.0 | ± 0.1 | ± 1.0 | ± 1.0 | μA |
| I _{OZ} | Maximum Three-State Leakage Current | Output in High-Impedance State V _{in} = V _{IL} or V _{IH} V _{out} = V _{CC} or GND | 6.0 | – 0.5 | – 5.0 | – 10 | μA |
| I _{CC} | Maximum Quiescent Supply Current (per Package) | V _{in} = V _{CC} or GND I _{out} = 0 μA | 6.0 | 4.0 | 40 | 160 | μA |

NOTE: Information on typical parametric values can be found in Chapter 2 of the Motorola High-Speed CMOS Data Book (DL129/D).

AC ELECTRICAL CHARACTERISTICS (C_L = 50 pF, Input t_r = t_f = 6.0 ns)

| Symbol | Parameter | V _{CC} V | Guaranteed Limit | | | Unit |
|--|---|----------------------|------------------|--------|---------|------|
| | | | – 55 to 25°C | ≤ 85°C | ≤ 125°C | |
| t _{PLH} , t _{PHL} | Maximum Propagation Delay, Input D to Q (Figures 1 and 5) | 2.0 | 150 | 190 | 225 | ns |
| | | 3.0 | 100 | 140 | 180 | |
| | | 4.5 | 30 | 38 | 45 | |
| | | 6.0 | 26 | 33 | 38 | |
| t _{PLH} , t _{PHL} | Maximum Propagation Delay, Latch Enable to Q (Figures 2 and 5) | 2.0 | 160 | 200 | 240 | ns |
| | | 3.0 | 105 | 145 | 190 | |
| | | 4.5 | 32 | 40 | 48 | |
| | | 6.0 | 27 | 34 | 41 | |
| t _{PLZ} , t _{PHZ} | Maximum Propagation Delay, Output Enable to Q (Figures 3 and 6) | 2.0 | 150 | 190 | 225 | ns |
| | | 3.0 | 100 | 125 | 150 | |
| | | 4.5 | 30 | 38 | 45 | |
| | | 6.0 | 26 | 33 | 38 | |
| t _{PZL} , t _{PZH} | Maximum Propagation Delay, Output Enable to Q (Figures 3 and 6) | 2.0 | 150 | 190 | 225 | ns |
| | | 3.0 | 100 | 125 | 150 | |
| | | 4.5 | 30 | 38 | 45 | |
| | | 6.0 | 26 | 33 | 38 | |
| t _{TLH} , t _{THL} | Maximum Output Transition Time, Any Output (Figures 1 and 5) | 2.0 | 60 | 75 | 90 | ns |
| | | 3.0 | 27 | 32 | 36 | |
| | | 4.5 | 12 | 15 | 18 | |
| | | 6.0 | 10 | 13 | 15 | |
| C _{in} | Maximum Input Capacitance | | 10 | 10 | 10 | pF |
| C _{out} | Maximum Three-State Output Capacitance (Output in High-Impedance State) | | 15 | 15 | 15 | pF |

NOTE: For propagation delays with loads other than 50 pF, and information on typical parametric values, see Chapter 2 of the Motorola High-Speed CMOS Data Book (DL129/D).

| C _{PD} | Power Dissipation Capacitance (Per Enabled Output)* | Typical @ 25°C, V _{CC} = 5.0 V | | pF |
|-----------------|---|---|--|----|
| | | 23 | | |
| | | | | |

* Used to determine the no-load dynamic power consumption: P_D = C_{PD} V_{CC}²f + I_{CC} V_{CC}. For load considerations, see Chapter 2 of the Motorola High-Speed CMOS Data Book (DL129/D).

MC54/74HC573A

TIMING REQUIREMENTS ($C_L = 50$ pF, Input $t_r = t_f = 6.0$ ns)

| Symbol | Parameter | Fig. | VCC Volts | Guaranteed Limit | | | | | | Unit |
|------------|---|------|--------------|------------------|------|--------|------|---------|------|------|
| | | | | - 55 to 25°C | | ≤ 85°C | | ≤ 125°C | | |
| | | | | Min | Max | Min | Max | Min | Max | |
| t_{SU} | Minimum Setup Time, Input D to Latch Enable | 4 | 2.0 | 50 | | 65 | | 75 | | ns |
| | | | 3.0 | 40 | | 50 | | 60 | | |
| | | | 4.5 | 10 | | 13 | | 15 | | |
| | | | 6.0 | 9.0 | | 11 | | 13 | | |
| t_H | Minimum Hold Time, Latch Enable to Input D | 4 | 2.0 | 5.0 | | 5.0 | | 5.0 | | ns |
| | | | 3.0 | 5.0 | | 5.0 | | 5.0 | | |
| | | | 4.5 | 5.0 | | 5.0 | | 5.0 | | |
| | | | 6.0 | 5.0 | | 5.0 | | 5.0 | | |
| t_W | Minimum Pulse Width, Latch Enable | 2 | 2.0 | 75 | | 95 | | 110 | | ns |
| | | | 3.0 | 60 | | 80 | | 90 | | |
| | | | 4.5 | 15 | | 19 | | 22 | | |
| | | | 6.0 | 13 | | 16 | | 19 | | |
| t_r, t_f | Maximum Input Rise and Fall Times | 1 | 2.0 | | 1000 | | 1000 | | 1000 | ns |
| | | | 3.0 | | 800 | | 800 | | 800 | |
| | | | 4.5 | | 500 | | 500 | | 500 | |
| | | | 6.0 | | 400 | | 400 | | 400 | |

SWITCHING WAVEFORMS

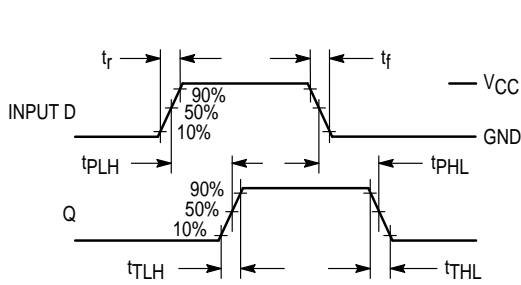


Figure 1.

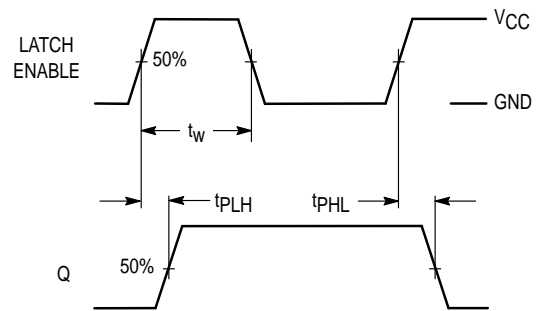


Figure 2.

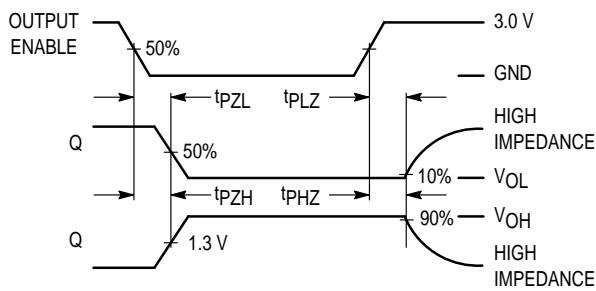


Figure 3.

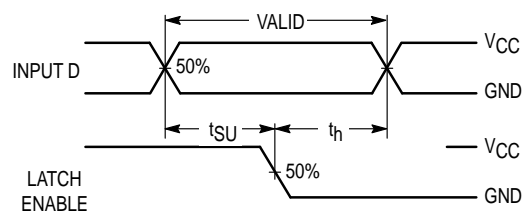


Figure 4.

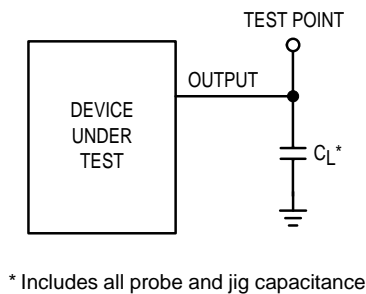


Figure 5. Test Circuit

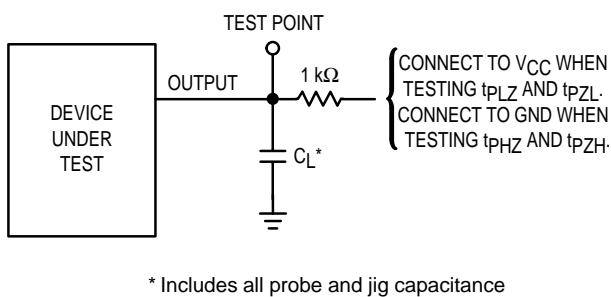
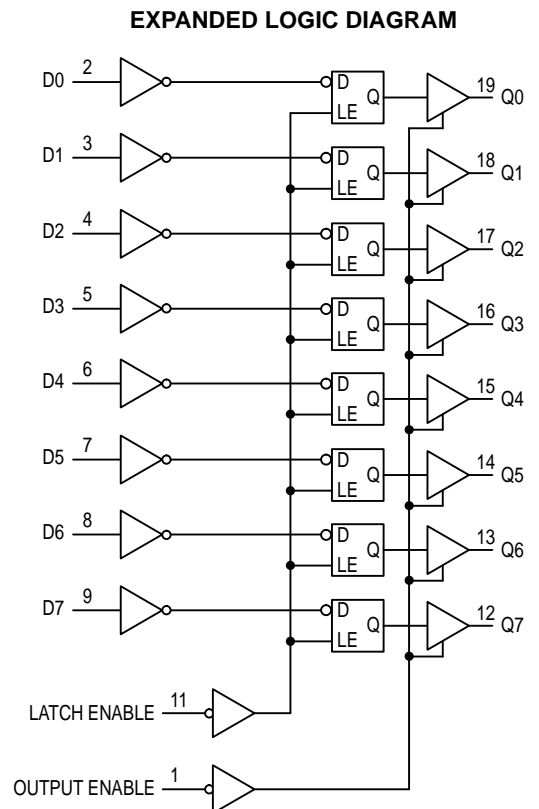
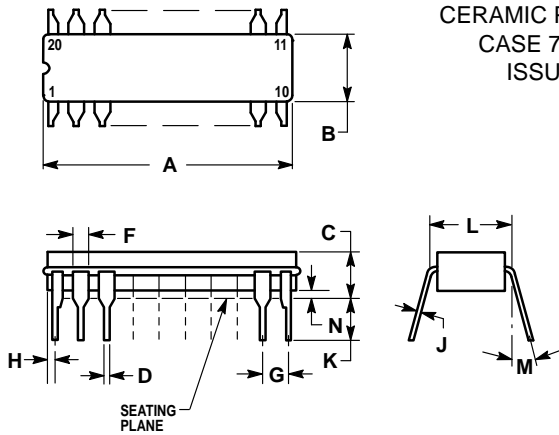


Figure 6. Test Circuit



OUTLINE DIMENSIONS

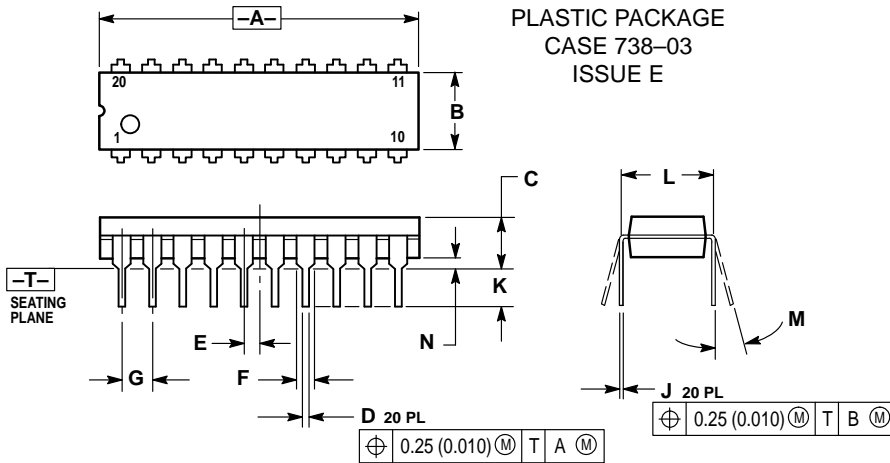
J SUFFIX
CERAMIC PACKAGE
CASE 732-03
ISSUE E



- NOTES:
- LEADS WITHIN 0.25 (0.010) DIAMETER, TRUE POSITION AT SEATING PLANE, AT MAXIMUM MATERIAL CONDITION.
 - DIMENSION L TO CENTER OF LEADS WHEN FORMED PARALLEL.
 - DIMENSIONS A AND B INCLUDE MENISCUS.

| DIM | MILLIMETERS | | INCHES | |
|-----|-------------|-------|-----------|-------|
| | MIN | MAX | MIN | MAX |
| A | 23.88 | 25.15 | 0.940 | 0.990 |
| B | 6.60 | 7.49 | 0.260 | 0.295 |
| C | 3.81 | 5.08 | 0.150 | 0.200 |
| D | 0.38 | 0.56 | 0.015 | 0.022 |
| F | 1.40 | 1.65 | 0.055 | 0.065 |
| G | 2.54 BSC | | 0.100 BSC | |
| H | 0.51 | 1.27 | 0.020 | 0.050 |
| J | 0.20 | 0.30 | 0.008 | 0.012 |
| K | 3.18 | 4.06 | 0.125 | 0.160 |
| L | 7.62 BSC | | 0.300 BSC | |
| M | 0° | 15° | 0° | 15° |
| N | 0.25 | 1.02 | 0.010 | 0.040 |

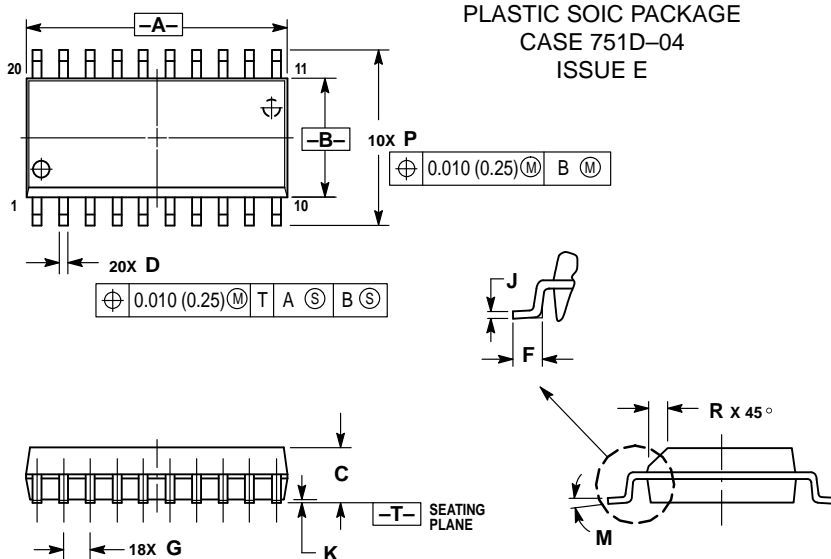
N SUFFIX
PLASTIC PACKAGE
CASE 738-03
ISSUE E



- NOTES:
- DIMENSIONING AND TOLERANCING PER ANSI Y14.5M, 1982.
 - CONTROLLING DIMENSION: INCH.
 - DIMENSION L TO CENTER OF LEAD WHEN FORMED PARALLEL.
 - DIMENSION B DOES NOT INCLUDE MOLD FLASH.

| DIM | INCHES | | MILLIMETERS | |
|-----|-----------|-------|-------------|-------|
| | MIN | MAX | MIN | MAX |
| A | 1.010 | 1.070 | 25.66 | 27.17 |
| B | 0.240 | 0.260 | 6.10 | 6.60 |
| C | 0.150 | 0.180 | 3.81 | 4.57 |
| D | 0.015 | 0.022 | 0.39 | 0.55 |
| E | 0.050 BSC | | 1.27 BSC | |
| F | 0.050 | 0.070 | 1.27 | 1.77 |
| G | 0.100 BSC | | 2.54 BSC | |
| J | 0.008 | 0.015 | 0.21 | 0.38 |
| K | 0.110 | 0.140 | 2.80 | 3.55 |
| L | 0.300 BSC | | 7.62 BSC | |
| M | 0° | 15° | 0° | 15° |
| N | 0.020 | 0.040 | 0.51 | 1.01 |

DW SUFFIX
PLASTIC SOIC PACKAGE
CASE 751D-04
ISSUE E

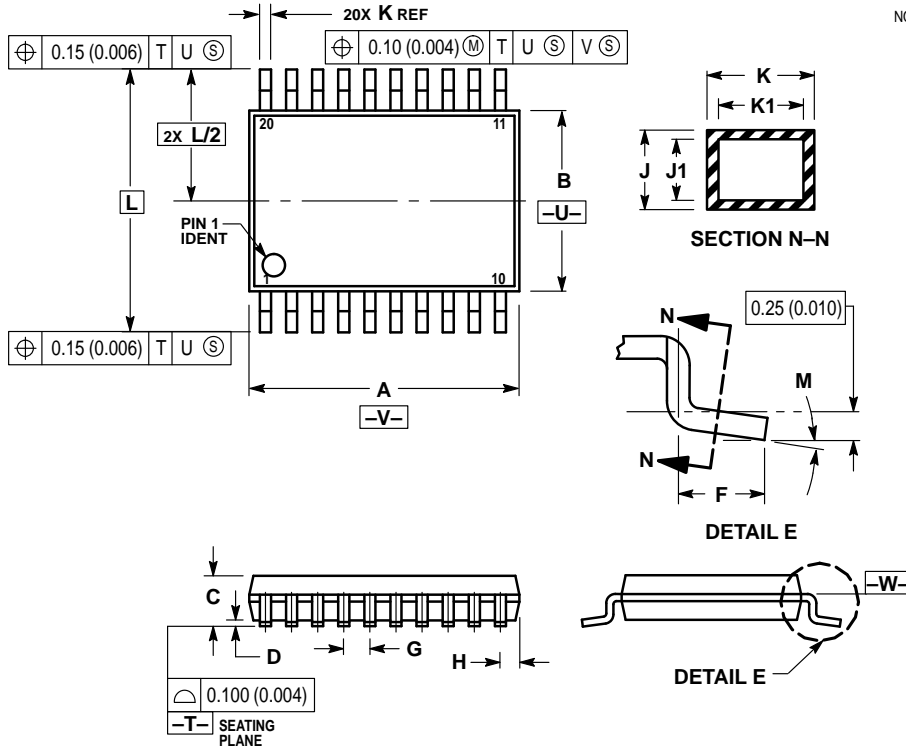


- NOTES:
- DIMENSIONING AND TOLERANCING PER ANSI Y14.5M, 1982.
 - CONTROLLING DIMENSION: MILLIMETER.
 - DIMENSIONS A AND B DO NOT INCLUDE MOLD PROTRUSION.
 - MAXIMUM MOLD PROTRUSION 0.150 (0.006) PER SIDE.
 - DIMENSION D DOES NOT INCLUDE DAMBAR PROTRUSION. ALLOWABLE DAMBAR PROTRUSION SHALL BE 0.13 (0.005) TOTAL IN EXCESS OF D DIMENSION AT MAXIMUM MATERIAL CONDITION.

| DIM | MILLIMETERS | | INCHES | |
|-----|-------------|-------|-----------|-------|
| | MIN | MAX | MIN | MAX |
| A | 12.65 | 12.95 | 0.499 | 0.510 |
| B | 7.40 | 7.60 | 0.292 | 0.299 |
| C | 2.35 | 2.65 | 0.093 | 0.104 |
| D | 0.35 | 0.49 | 0.014 | 0.019 |
| F | 0.50 | 0.90 | 0.020 | 0.035 |
| G | 1.27 BSC | | 0.050 BSC | |
| J | 0.25 | 0.32 | 0.010 | 0.012 |
| K | 0.10 | 0.25 | 0.004 | 0.009 |
| M | 0° | 7° | 0° | 7° |
| P | 10.05 | 10.55 | 0.395 | 0.415 |
| R | 0.25 | 0.75 | 0.010 | 0.029 |

OUTLINE DIMENSIONS

DT SUFFIX
PLASTIC TSSOP PACKAGE
CASE 948E-02
ISSUE A



- NOTES:
1. DIMENSIONING AND TOLERANCING PER ANSI Y14.5M, 1982.
 2. CONTROLLING DIMENSION: MILLIMETER.
 3. DIMENSION A DOES NOT INCLUDE MOLD FLASH, PROTRUSIONS OR GATE BURRS. MOLD FLASH OR GATE BURRS SHALL NOT EXCEED 0.15 (0.006) PER SIDE.
 4. DIMENSION B DOES NOT INCLUDE INTERLEAD FLASH OR PROTRUSION. INTERLEAD FLASH OR PROTRUSION SHALL NOT EXCEED 0.25 (0.010) PER SIDE.
 5. DIMENSION K DOES NOT INCLUDE DAMBAR PROTRUSION. ALLOWABLE DAMBAR PROTRUSION SHALL BE 0.08 (0.003) TOTAL IN EXCESS OF THE K DIMENSION AT MAXIMUM MATERIAL CONDITION.
 6. TERMINAL NUMBERS ARE SHOWN FOR REFERENCE ONLY.
 7. DIMENSION A AND B ARE TO BE DETERMINED AT DATUM PLANE -W-.

| DIM | MILLIMETERS | | INCHES | |
|-----|-------------|------|-----------|-------|
| | MIN | MAX | MIN | MAX |
| A | 6.40 | 6.60 | 0.252 | 0.260 |
| B | 4.30 | 4.50 | 0.169 | 0.177 |
| C | — | 1.20 | — | 0.047 |
| D | 0.05 | 0.15 | 0.002 | 0.006 |
| F | 0.50 | 0.75 | 0.020 | 0.030 |
| G | 0.65 BSC | | 0.026 BSC | |
| H | 0.27 | 0.37 | 0.011 | 0.015 |
| J | 0.09 | 0.20 | 0.004 | 0.008 |
| J1 | 0.09 | 0.16 | 0.004 | 0.006 |
| K | 0.19 | 0.30 | 0.007 | 0.012 |
| K1 | 0.19 | 0.25 | 0.007 | 0.010 |
| L | 6.40 BSC | | 0.252 BSC | |
| M | 0° | 8° | 0° | 8° |

Motorola reserves the right to make changes without further notice to any products herein. Motorola makes no warranty, representation or guarantee regarding the suitability of its products for any particular purpose, nor does Motorola assume any liability arising out of the application or use of any product or circuit, and specifically disclaims any and all liability, including without limitation consequential or incidental damages. "Typical" parameters which may be provided in Motorola data sheets and/or specifications can and do vary in different applications and actual performance may vary over time. All operating parameters, including "Typicals" must be validated for each customer application by customer's technical experts. Motorola does not convey any license under its patent rights nor the rights of others. Motorola products are not designed, intended, or authorized for use as components in systems intended for surgical implant into the body, or other applications intended to support or sustain life, or for any other application in which the failure of the Motorola product could create a situation where personal injury or death may occur. Should Buyer purchase or use Motorola products for any such unintended or unauthorized application, Buyer shall indemnify and hold Motorola and its officers, employees, subsidiaries, affiliates, and distributors harmless against all claims, costs, damages, and expenses, and reasonable attorney fees arising out of, directly or indirectly, any claim of personal injury or death associated with such unintended or unauthorized use, even if such claim alleges that Motorola was negligent regarding the design or manufacture of the part. Motorola and are registered trademarks of Motorola, Inc. Motorola, Inc. is an Equal Opportunity/Affirmative Action Employer.

How to reach us:

USA/EUROPE/Locations Not Listed: Motorola Literature Distribution; P.O. Box 20912; Phoenix, Arizona 85036. 1-800-441-2447 or 602-303-5454

MFAX: RMFAX0@email.sps.mot.com - TOUCHTONE 602-244-6609
INTERNET: http://Design-NET.com

JAPAN: Nippon Motorola Ltd.; Tatsumi-SPD-JLDC, 6F Seibu-Butsuryu-Center, 3-14-2 Tatsumi Koto-Ku, Tokyo 135, Japan. 03-81-3521-8315

ASIA/PACIFIC: Motorola Semiconductors H.K. Ltd.; 8B Tai Ping Industrial Park, 51 Ting Kok Road, Tai Po, N.T., Hong Kong. 852-26629298

