

MC92501

Advance Information ATM Cell Processor

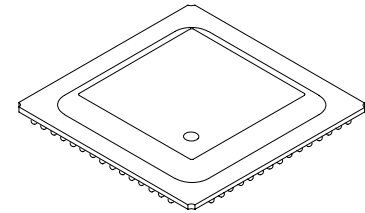
The ATM Cell Processor (MC92501) is an Asynchronous Transfer Mode (ATM) layer device composed of dedicated high-performance ingress and egress cell processors combined with UTOPIA Level 2-compliant physical (PHY) and switch interface ports (see Block Diagram). The MC92501 is a second generation ATM cell processor in Motorola's 92500 series. This document provides information on the new features offered by the second generation ATM cell processor. This document, combined with MC92500/D, provides the complete specification for the ATM cell processor.

New Features of the MC92501:

- Implements ATM Layer Functions for Broadband ISDN According to ATM Forum UNI 4.0 and TM 4.0 Specifications, ITU Recommendations, and Bellcore Recommendations
- Provides ABR Relative Rate Marking and EFCI Marking According to TM 4.0
- Selective Discard CLP = 1 (or CLP = 0+1) Flow on Selected Connections
- UTOPIA Level 2 PHY Interface and UTOPIA ATM Layer Interface
- Supports Both Partial Packet Discard (PPD) and Early Packet Discard (EPD)
- Change ABR RM Cell Priority
- Support for CLP Transparency

Existing MC92500 Features:

- Full-Duplex Operation at Data Rates up to 155 Mbit/sec
- Performs Internal VPI and VCI Address Compression for up to 64K VCs
- CLP-Aware Peak, Average, and Burst-Length Policing with Programmable Tag/Drop Action Per Policer
- Supports up to 16 Physical Links Using Dedicated Ingress/Egress MultiPHY Control Signals
- Each Physical Link Can Be Configured as Either a UNI or NNI Port
- Supports Multicast, Multipoint Address Translation
- Maintains Both Virtual Connection and Physical Link Counters on Both Ingress and Egress Cell Flows
- Provides a Flexible 32-Bit External Memory Port for Context Management
- Automated AIS, RDI, CC, and Loopback Functions with Performance Monitoring Block Test on All 64K Connections
- Programmable 32-Bit Microprocessor Interface Supporting Big-Endian or Little-Endian Bus Formats
- Bidirectional UPC or NPC Design with up to Four Leaky Buckets Per Connection
- Supports a Programmable Number of Additional Switch Overhead Parameters Allowing Adaptation to Any Switch Routing Header Format
- Provides Per-Link Cell Counters in Both Directions



GC SUFFIX
GTBGA
CASE 1208

ORDERING INFORMATION
MC92501GC GTBGA

This document contains information on a new product. Specifications and information herein are subject to change without notice.



REPRESENTATIVE BLOCK DIAGRAM

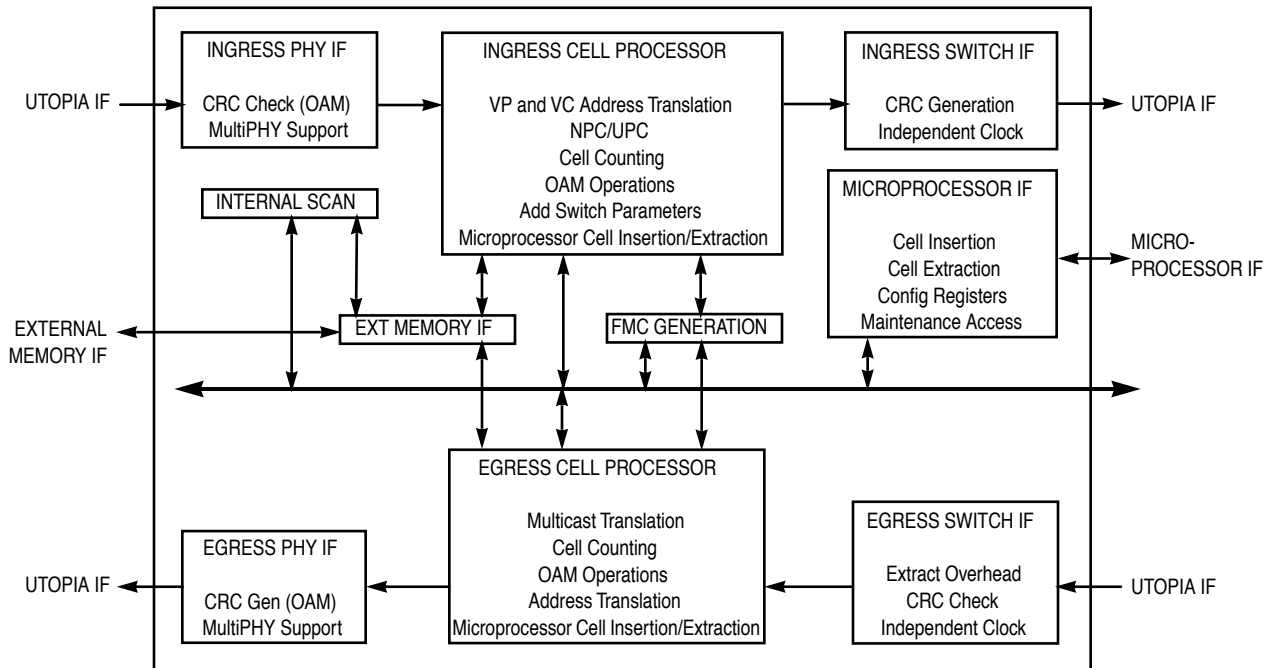


TABLE OF CONTENTS

SECTION 1. ATM NETWORK	5
1.1. ATM Network Description	5
1.2. ATM Network Applications	6
SECTION 2. FUNCTIONAL DESCRIPTION	7
2.1. System Functional Description	7
2.2. MC92501 Functional Description	7
2.3. First Generation Features	7
SECTION 3. PACKET-BASED UPC Discard Algorithms	8
3.1. Introduction	8
3.1.1. AAL5 Packet Definition	8
3.2. Cell-Based UPC	8
3.3. Partial Packet Discard (PPD)	8
3.4. Early Packet Discard (EPD)	9
3.5. Limited Early Packet Discard (Limited EPD)	9
SECTION 4. SELECTIVE DISCARD	11
SECTION 5. Available Bit Rate (ABR) Support.	12
5.1. Overview and Features	12
5.2. RM Cell Definition	12
5.3. RM Cell Fields	12
5.4. Cell Marking (CI, NI, PTI)	13
5.4.1. Sources for Ingress Flow Status	14
5.4.1.1. Ingress Flow Status from Global Register	14
5.4.1.2. Ingress Flow Status from Cell's Overhead	14
5.4.1.3. Ingress Flow Status from Context Memory	14
5.4.1.4. Logic of Ingress Flow Status	14
5.4.2. Sources for Egress Flow Status	14
5.4.2.1. Egress Flow Status from Global Register	14
5.4.2.2. Egress Flow Status from Cell's Overhead	14
5.4.2.3. Egress Flow Status from Context Memory	15
5.4.2.4. Logic of Egress Flow Status	15
5.4.3. Ingress ABR Marking Bits	15
5.4.3.1. Logic of Ingress ABR Marking Bits	15
5.4.4. Egress ABR Marking Bits	15
5.4.4.1. Logic of Egress ABR Marking Bits	16
5.4.5. Cell Marking Examples	16
5.5. Ingress Switch ABR Priority Interface	18
5.5.1. An Example	18
5.6. Egress Reset EFCI	18
SECTION 6. CLP TRANSPARENCY	19
6.1. Overview	19
SECTION 7. INDIRECT EXTERNAL MEMORY ACCESS	20
7.1. Overview	20
7.2. User Interface	20
7.2.1. Write Access	20
7.2.2. Read Access	20
SECTION 8. IMPROVED HOST INTERFACE	21
8.1. Overview	21
8.1.1. An Additional MDTRACK Signal	21
8.1.2. Programmable MREQ Signals	21
8.1.3. Update the Definition of MWSH and MWSL Signals	21
SECTION 9. EGRESS OVERHEAD MANIPULATION	22
SECTION 10. UTOPIA LEVEL 2 PHY INTERFACE	23
SECTION 11. Register Descriptions	24
11.1. General Register List	24
11.2. Status Reporting Registers	24
11.2.1. Interrupt Register (IR)	24
11.2.2. Interrupt Mask Register (IMR)	24
11.2.3. ATMC CFB Revision Register (ARR)	25

TABLE OF CONTENTS (CONTINUED)

11.2.4.	MC92501 Revision Register (RR)	25
11.3.	Control Registers	25
11.3.1.	Ingress Processing Control Register (IPLR)	25
11.3.2.	Egress Processing Control Register (EPLR)	25
11.3.3.	Indirect External Memory Access Address Register (IAAR)	26
11.3.4.	Indirect External Memory Access Data Register (IADR)	26
11.4.	Configuration Register	27
11.4.1.	Ingress Processing Configuration Register (IPCR)	27
11.4.2.	Egress Processing Configuration Register (EPCR)	28
11.4.3.	ATMC CFB Configuration Register (ACR)	29
11.4.4.	Egress Switch Interface Configuration Register (ESWCR)	29
11.4.5.	Egress Switch Overhead Information Register 0 (ESOIR0)	30
11.4.6.	Microprocessor Configuration Register (MPCONR)	30
11.4.7.	Maintenance Configuration Register (MACONR)	31
11.4.8.	Ingress PHY Configuration Register (IPHCR)	31
11.4.9.	Egress PHY Configuration Register (EPHCR)	31
11.4.10.	MC92501 General Configuration Register (GCR)	32
11.4.11.	Egress Switch Overhead Information Register 1 (ESOIR1)	32
11.4.12.	RM Overlay Register (RMOR)	33
11.4.13.	CLP Transparency Overlay Register (CTOR)	33
11.4.14.	Context Parameters Extension Table Pointer Register (CPETP)	33
11.4.15.	Egress Overhead Manipulation Register (EGOMR)	34
	SECTION 12. EXTERNAL MEMORY DESCRIPTION	35
12.1.	Context Parameters Extension Table	35
12.1.1.	Common Parameters Extension Word	35
12.2.	CONTEXT PARAMETERS TABLE	36
12.2.1.	Egress Parameters	36
12.2.2.	Ingress Parameters:	36
12.2.3.	Common Parameters	37
	SECTION 13. DATA STRUCTURES	38
13.1.	General Fields	38
13.1.1.	Reason	38
	SECTION 14. SIGNAL DESCRIPTION	39
14.1.	Microprocessor Signals (MP)	39
14.2.	Ingress PHY Signals	40
14.3.	Egress PHY Signals	40
	SECTION 15. TEST OPERATION	41
15.1.	Device Identification Register	41
15.2.	Boundary Scan Register	41
	SECTION 16. Electrical Characteristics	47
16.1.	Electrical Specification for Clocks and Interfaces	47
16.2.	DC Electrical Characteristics	47
	SECTION 17. Packaging Information.	48
17.1.	Additional Pins	48
17.2.	Pin Assignment	48
17.3.	256-Lead GTBGA Outline	49

SECTION 1. ATM NETWORK

1.1. ATM Network Description

A typical ATM network consists of user end stations that transmit and receive 53-byte data cells on virtual connections (see Figure 1). Physical links and switching systems interconnect the virtual connections. A virtual connection's path is established at the beginning of the data transfer, maintained while the end-stations are communicating, and torn down after the transfer is complete. This transmission method increases the transfer speed because the determination of the path the data will take is done only at the beginning of the data transfer instead of when each data sub-block or packet is transferred.

On a given physical link, each connection is assigned a unique connection identifier. The connection identifier is placed in the header of each cell by the transmitting equipment and is used by the receiving equipment to route the cell to the next physical link on the connection path. All cells belonging to a specific virtual connection follow the identical path from

the transmitting end station through the switching systems to the receiving end station.

An ATM switch contains a high-speed switching fabric that connects multiple line cards. The switching fabric connects the input port to the output port based on the switch's routing table. The line card interfaces between the physical medium and the switching fabric by recovering incoming cells from the arriving bit stream or converting outgoing cells into a bit stream for transmission. An ATM switch partitioned in this fashion can efficiently handle multiple physical links by independently transferring each incoming ATM cell from its source port to its destination port, based on the switch's routing table.

ATM standards divide the tasks to be performed on each side of the switch fabric into PHY layer and ATM layer tasks. The PHY layer tasks are dependent on the physical medium that connects ATM switches. The ATM layer tasks operate at the cell level and are independent of the physical medium.

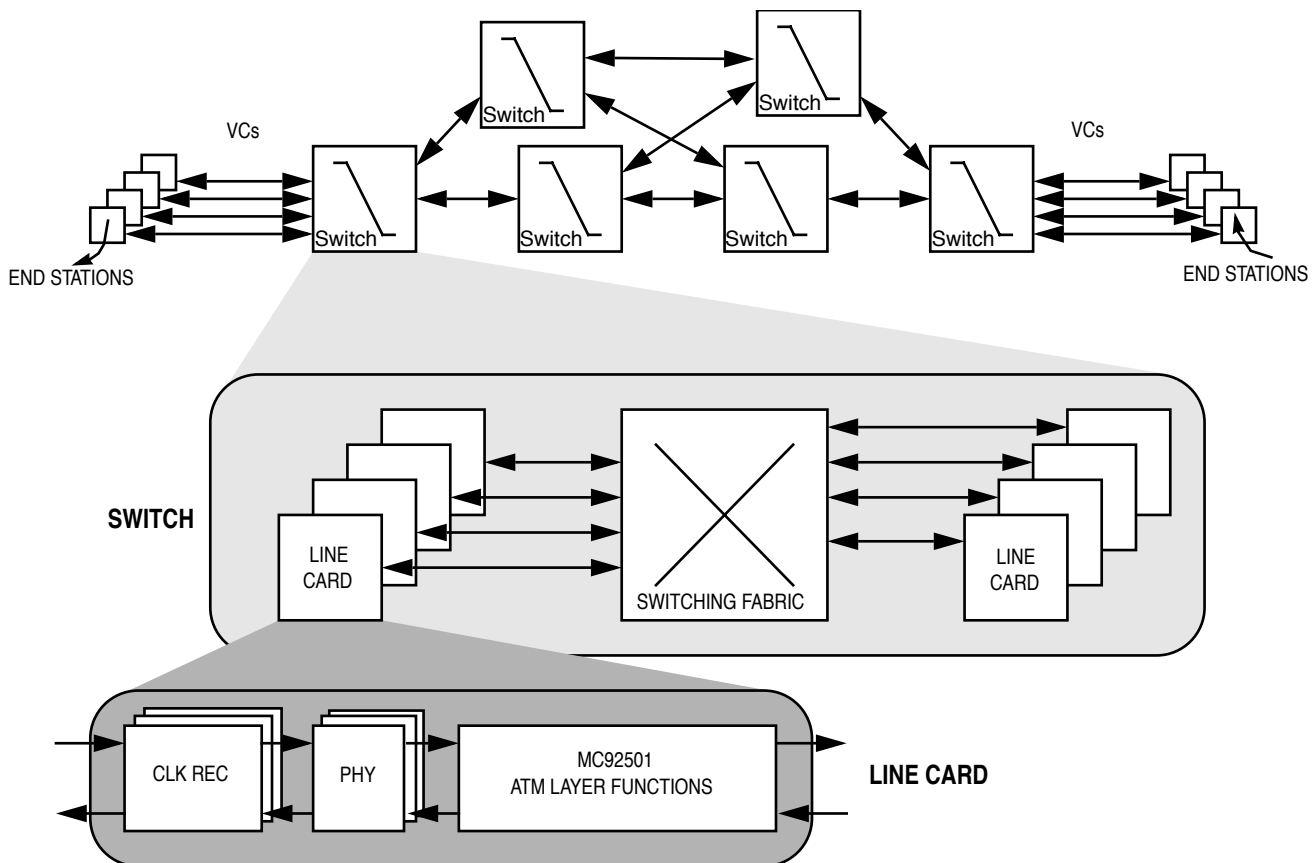


Figure 1. MC92501 in an ATM Network Application

1.2. ATM Network Applications

The MC92501 performs the ATM layer functions in an ATM switch such as cell processing and routing. Since the MC92501 is an ATM layer device, it is PHY layer independent.

Figure 2 illustrates a typical ATM line card. The MC92501 uses an external memory for storing the cells that it processes. In addition, the MC92501 offers an option to utilize an external address compression device accessed via the same external memory bus.

The microprocessor is used for configuration, control, and status monitoring of the MC92501 and is responsible for initializing and maintaining the external memory. The MC92501 is the master of the external memory bus. At regular intervals, the MC92501 allows the microprocessor to access the external memory for updating and maintenance.

System RAM can also be located on the line card. The MC92501 can support a DMA device to allow efficient data transfer to this RAM without processor intervention.

The physical interface (PHY-IF) implements the physical layer functions of the B-ISDN Protocol Reference Model. This includes the physical medium dependent functions required to transport ATM cells between the ATM user and the ATM switch (UNI) or between two ATM switches (NNI). The cells are transferred between the physical interface and the MC92501 using the UTOPIA Level 2 standard.

The MC92501 implements B-ISDN UNI/NNI ATM layer functions required to transfer cells to and from the switch over virtual connections. These functions include usage enforcement, address translation, and Operation, Administration, and Maintenance (OAM) processing. The MC92501 provides context management for up to 65,536 (64K) Virtual Connections (VCs). The VCs can be either Virtual Path Connections (VPCs) or Virtual Channel Connections (VCCs). ATM cells belonging to a particular VCC on a logical link have the same unique Virtual Path Identifier/Virtual Channel Identifier (VPI/VCI) value in the cell header. Similarly, cells belonging to a particular VPC on the same logical link share a unique VPI.

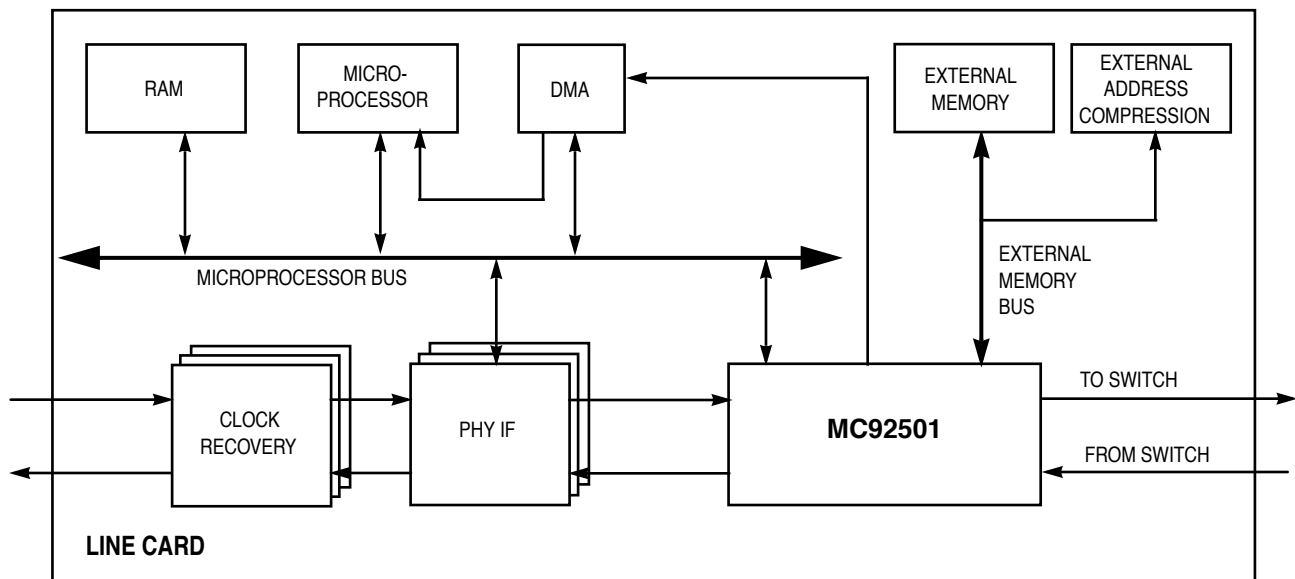


Figure 2. Typical MC92501 Line Card Application

SECTION 2. FUNCTIONAL DESCRIPTION

2.1. System Functional Description

A serial transmission link operating at up to 155.52 Mbit/sec (PHY) is coupled to the MC92501 via a byte-based interface. The transmission link timing is adapted to the MC92501 and switch timing by means of internal cell buffers. A common clock supplies both the PHY IF and MC92501.

The host microprocessor initializes and provides real-time control information to the data-flow chips (PHY IF and MC92501) using slave accesses.

The MC92501 operates in conjunction with an external connection memory, which provides one context entry for each active connection. The entry consists of two types of context parameters: static and dynamic. The static parameters are loaded into the context memory when the VC is established, and are valid for the duration of that connection. The static parameters include traffic descriptors, OAM flags, and ATM switch parameters. The dynamic context parameters include cell counters, UPC/NPC fields, and OAM parameters. The dynamic parameters can be modified while a particular connection is being processed. The microprocessor can access the external memory through the MC92501 to collect traffic statistics and to update the OAM parameters. During normal cell processing, the MC92501 has exclusive access to the external memory and maintains external memory coherency.

At user-programmable intervals, the MC92501 provides the microprocessor with a "maintenance slot." During this time, cell processing is halted and control of the external memory bus is relinquished. The break in cell processing is made possible by the difference between the MC92501 cell-processing rate and the line rate.

The microprocessor can use the maintenance slot for any of the following tasks:

- Connection setup and tear down
- Statistics collection
- Updating OAM parameters of active connection

The microprocessor is responsible for the external memory coherency during the maintenance interval.

2.2. MC92501 Functional Description

MC92501 General Features:

- Implements ATM layer functions for broadband ISDN according to CCITT recommendations, ATM Forum UNI 4.0 and TM 4.0 specifications, and ITU and Bellcore recommendations.

- Provides 155 Mbit/sec throughput capacity and is physical layer independent.
- Optionally supports up to 16 physical links.
- Optionally configured as a User Network Interface (UNI) or Network Node Interface (NNI) on a per-link basis.
- Provides Available Bit Rate–Relative Rate (ABR–RR) marking and EFCI marking according to TM 4.0.
- Supports advanced discard policies such as Selective Discard, Partial Packet Discard (PPD), Early Packet Discard (EPD), and Limited Early Packet Discard (Limited EPD).
- Operates in conjunction with an external memory (up to 16 MB) to provide context management for up to 64K virtual connections.
- Provides cell counter coherency on a per-connection basis by maintaining redundant copies of the counter tables and dynamically switching between them.
- Provides per-link cell counters in both directions.
- Provides per-connection Usage Parameter Control (UPC) or Network Parameter Control (NPC) using a leaky bucket design with up to four buckets per connection.
- Provides support for Operation, Administration, and Maintenance (OAM) Continuity Check function for all connections.
- Supports Virtual Path (VP) and Virtual Channel (VC) level alarm surveillance, OAM fault management loopback test, and OAM performance monitoring on all connections.
- Interfaces with either big-endian or little-endian microprocessors.
- Supports cell insertion into the cell streams using direct access registers which may be written by the microprocessor or by a DMA device.
- Supports copying cells from the cell streams using direct access registers which may be read by the microprocessor or by a DMA device.
- Supports multicast operation.

2.3. First Generation Features

The MC92501 is a second generation ATM cell processor that enhances the MC92500 (first generation) functionality. **The MC92501 is backwards-compatible and pin-compatible with the MC92500.**

This document describes the second generation enhancements and is meant to supplement the MC92500 specification. The MC92500 specification can be ordered from the Motorola Literature Center by requesting document MC92500/D.

SECTION 3. PACKET-BASED UPC DISCARD ALGORITHMS

3.1. Introduction

The MC92501 UPC function performs cell-based discard or packet-based discard according to ATM Forum TM 4.0. It supports packet discard on VC connections AAL5 packets (not including OAM cells). The MC92501 also performs Partial Packet Discard or Early Packet Discard.

The MC92501 offers four modes of UPC operation on a per-connection basis: Cell-Based UPC, Partial Packet Discard (PPD), Early Packet Discard (EPD), and Limited Early Packet Discard (Limited EPD). These modes are selected on a per-connection basis using the IUOM—Ingress UPC Operation Mode bit in the Common Extension Parameters Table. Packet-based UPC is enabled globally by the IPCV—Ingress Features Enable bit in the ACR register.

3.1.1. AAL5 Packet Definition

A packet is defined as a stream of user cells belonging to the same virtual connection that has a series of one or more cells with the PTI[0] bit set to 0 and the last PTI[0] bit set to 1. (See Figure 3.)

3.2. Cell-Based UPC

This is the default mode. The MC92501 discards cells on a per-cell basis as defined in MC92500/D.

3.3. Partial Packet Discard (PPD)

According to the PPD algorithm, if a cell is discarded then all subsequent cells belonging to that packet are discarded up to but not including the last cell. Following is a detailed explanation of the UPC function.

- The UPC is a two-state machine: discarding and not-discarding. See Figure 4.
- While the UPC is in the not-discarding state, it performs normal cell-based operation with tagging and policing counter updates.
- The UPC transitions from the not-discarding to the discarding state on the first discarded cell.
- While the UPC is in the discarding state, it does not update the UPC bucket but it does increment the policing discard counter.
- When in the discarding state and the last cell of a packet is received, there are two options:
 - If **all** the cells belonging to that packet were discarded, then this last cell is discarded.
 - If **not all** the cells belonging to that packet were discarded, then this means that the packet was truncated and this last cell is admitted in order to delineate the corrupted packet from the next packet. There is however one exception: if this last cell is violating cell-based UPC then it is discarded.

Figure 5 illustrates an example for the PPD algorithm. A UPC policy violation occurs during the transmission of the first packet. The UPC detects the violation and discards the remainder of the packet except for the last cell. The last cell of the first packet is transmitted to avoid the concatenation of the corrupted packet with the subsequent Packet #2. If the UPC detects that the first cell of Packet #3 violates its policy then Packet #3 is truncated. Packet #3's last cell is not transmitted because it cannot be admitted by the cell-based UPC. Packet #4 is not transmitted either because its first cell violates the UPC policy.

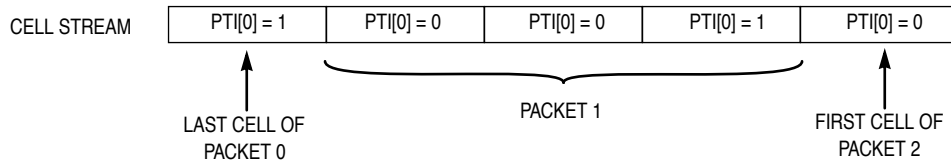


Figure 3. Delineation of a Packet Within a Cell Stream

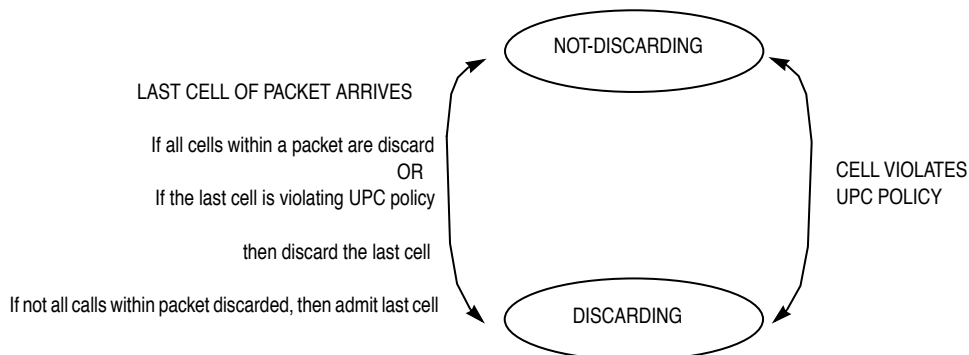


Figure 4. UPC Discarding State Machine

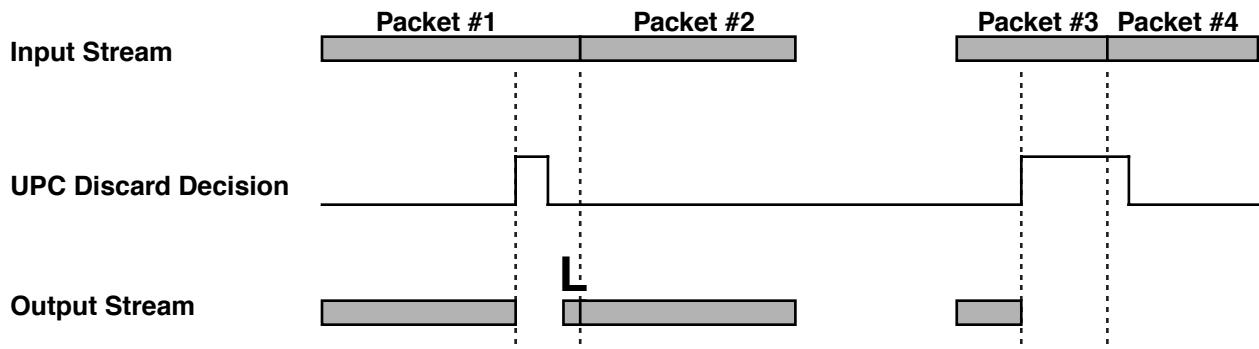


Figure 5. Partial Packet Discard

3.4. Early Packet Discard (EPD)

According to the EPD algorithm, the decision to discard a packet takes place only at the beginning of a packet. This means that the complete packet is either fully discarded or fully passed. The following explains how EPD is implemented.

- When the EPD is discarding cells, the buckets are not updated but the policing discard counter is incremented.
- When the EPD decides that a frame should be passed this means that:
 - All tagging buckets continue to work in a cell-based fashion.
 - All discarding buckets perform their calculations as if the limit parameter is infinite, and therefore increment the bucket content and do not discard any cells. As a result, their bucket content can be greater than their bucket limit.
 - The MC92501 may increment its police tagging counter.

Figure 6 illustrates an example for the EPD algorithm. A cell within the first packet violates the UPC, but due to EPD this packet is fully passed. Since the first cell of Packet #2 violates the UPC, the second packet is fully discarded. Likewise, cells within Packet #3 violate the UPC, but this packet is not discarded. Since the fourth packet comes after a relatively

long time, which allows the UPC buckets to drain, Packet #4's cells do not violate the UPC policy.

3.5. Limited Early Packet Discard (Limited EPD)

One disadvantage of the EPD algorithm is that once it decides to admit a packet it cannot change its decision until the last cell of that packet. In the case of big packets, the switch can run into congestion. Using the Limited EPD algorithm, a connection can stop passing cells because of EPD once it reaches a predefined limit. That limit, in the case of the MC92501, is reached once the first bucket starts discarding cells. The first bucket should have the same parameters as one of the other buckets except for the limit, which is bigger.

Figure 7 describes a UPC which contains three buckets. The first bucket is for limiting EPD, and there are two other buckets. The first and second buckets share the same parameters except for the limit. Therefore, their bucket content is always the same, although the second bucket's content is higher than its limit and cells are admitted by the EPD algorithm. When the first bucket reaches its limit, then cells will be discarded.

Figure 8 describes the EPD and Limited EPD functions.

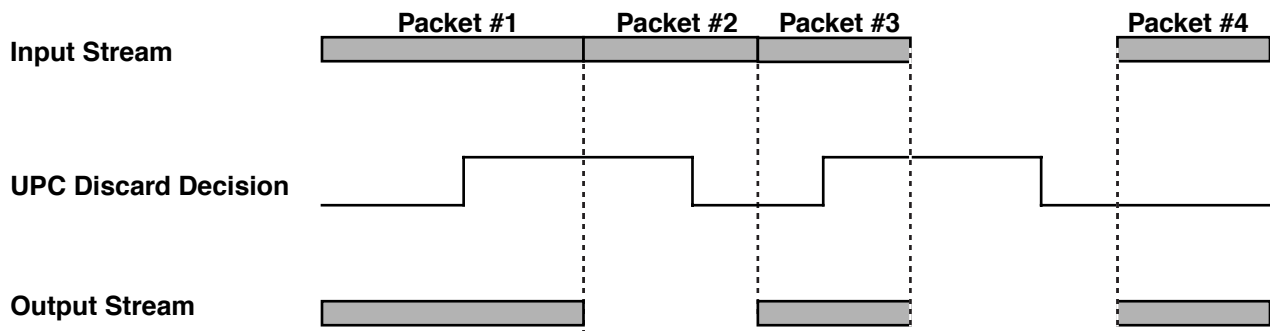


Figure 6. Early Packet Discard

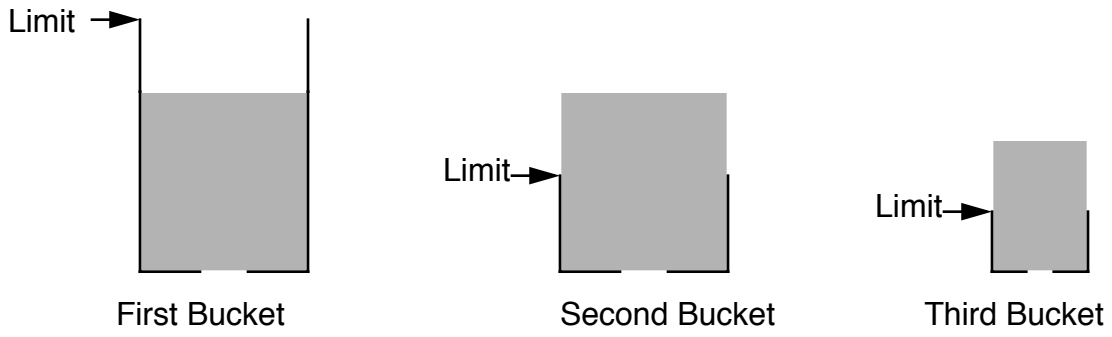


Figure 7. Limited Early Packet Discard

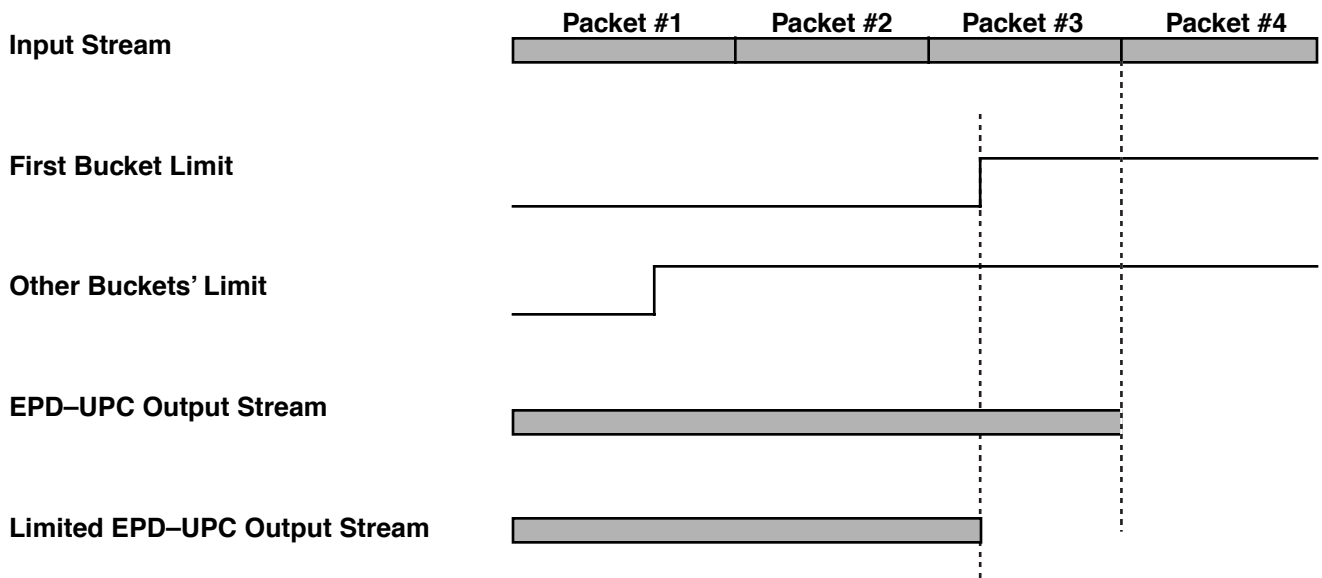


Figure 8. Difference Between Early Packet Discard and Limited Early Packet Discard

SECTION 4. SELECTIVE DISCARD

ATM Forum TM 4.0 defines procedures according to which cells can be discarded by network elements. A switching element may discard cells belonging to selected connections or cells whose CLP = 1 in case of congestion. This function is called selective discard and it is implemented by the MC92501. Selective discard is enabled by the ICNG—Global Ingress Congestion Notification bit in the Ingress Processing Control Register (IPLR). Selective discard can be enabled on

a per-connection basis by the ISDM—Ingress Selective Discard Operation Mode field in the Common Parameters Extension Word. This field determines whether selective discard is enabled and whether selective discard is performed on CLP = 1 or on CLP = 0+1 traffic. Selective discard can be enabled globally by the IPCV—Ingress Enable bit in the ATMC CFB Configuration Register (ACR).

SECTION 5. AVAILABLE BIT RATE (ABR) SUPPORT

5.1. Overview and Features

The MC92501 provides a full Available Bit Rate (ABR) solution for switch behavior relative rate marking and EFCI marking in accordance with ATM Forum TM 4.0. It also provides the switch fabric with an interface to increase the RM cells' traffic priority. Following is a list of features:

- Performs Relative Rate (RR) marking on Forward Resource Management (FRM) and/or Backward Resource Management (BRM) cells, on selected connections. This feature is enabled by either setting the ATMC CFB Configuration Register's (ACR) VP RM Cell PTI (NPRP) bit or by setting the PTI field in the cell's header to "110_B".
- Performs EFCI marking on non-RM cells whose PTI[2] = 0, on selected connections. This feature is enabled by either control registers or by fields that it gets from the overhead of cells which are received from the switch fabric.
- Resets EFCI on non-RM cells whose PTI[2] = 0, on selected connections.

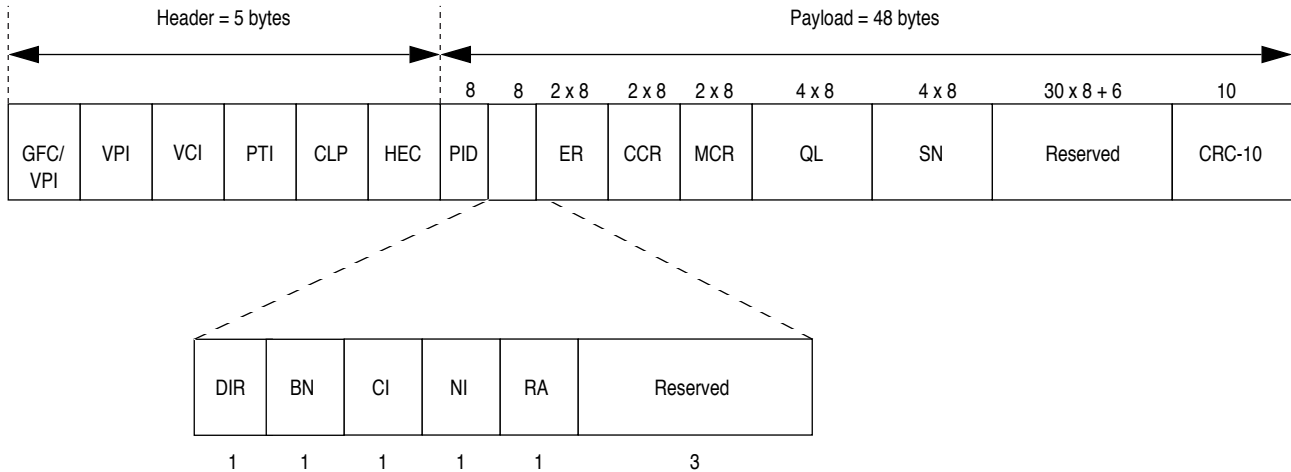
- Checks CRC on received RM cells and generates CRC for transmitted RM cells.
- Provides different priority to RM cells.
- Can copy RM cells to the microprocessor or remove them from the flow.

5.2. RM Cell Definition

A cell is an RM cell if and only if at least one of the following conditions is met:

- The cell belongs to a VC connection and its PTI = 6.
- The cell belongs to a VP connection, its VCI = 6, and its PTI = 6.
- The cell belongs to a VP connection, its VCI = 6, and the ATMC CFB Configuration Register has the VPRP—VP RM Cell PTI bit set.

5.3. RM Cell Fields



NOTES:

- PID = 1
- DIR = Direction
 - 0 = Forward RM cell
 - 1 = Backward RM cell
- BN = Backward Explicit Congestion
 - 0 = Generated by source
 - 1 = Generated not by the source
- CI = Congestion Indication
- NI = No Increase Bit
- ER = Explicit Rate
- CCR = Current Cell Rate
- MCR = Minimum Cell Rate
- CRC - 10

Figure 9. RM Cell Fields

5.4. Cell Marking (CI, NI, PTI)

Figure 10 illustrates two MC92501 devices connected to a switch fabric. In this example, the ABR flow travels from left to right. This means that data cells are flowing from left to right, FRM cells are flowing from left to right, and BRM cells are flowing from right to left. The switch marks FRM and user cells

flowing downstream, and BRM cells flowing upstream. This switch function can be implemented in the ingress of MC92501 #1 and in the egress of MC92501 #2. MC92501 #1 marks cells because of the ingress flow status (for example, ingress flow congestion) while MC92501 #2 marks cells because of the egress flow status.

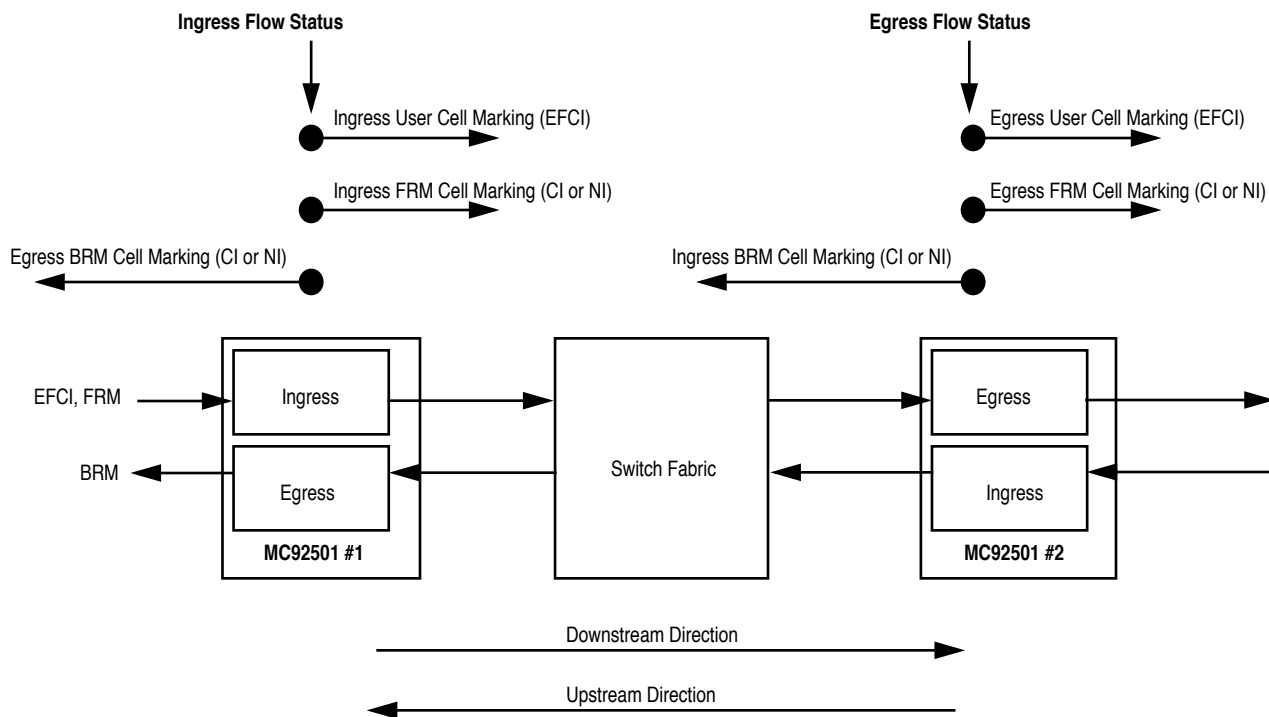


Figure 10. ABR Flow Cell Marking Example

The MC92501 can take the following actions in response to the ingress flow status:

- Perform EFCI marking on ingress cells; i.e., set PTI[1] bit in cells on which PTI[2] = 0.
- Set CI or NI in ingress FRM cells.
- Set CI or NI in egress BRM cells.

The MC92501 can take the following actions in response to the egress flow status:

- Perform EFCI marking on egress cells; i.e., set PTI[1] bit in cells on which PTI[2] = 0.
- Set CI or NI in egress FRM cells.
- Set CI or NI in ingress BRM cells.

Figure 11 is an overview of the MC92501 marking scheme.

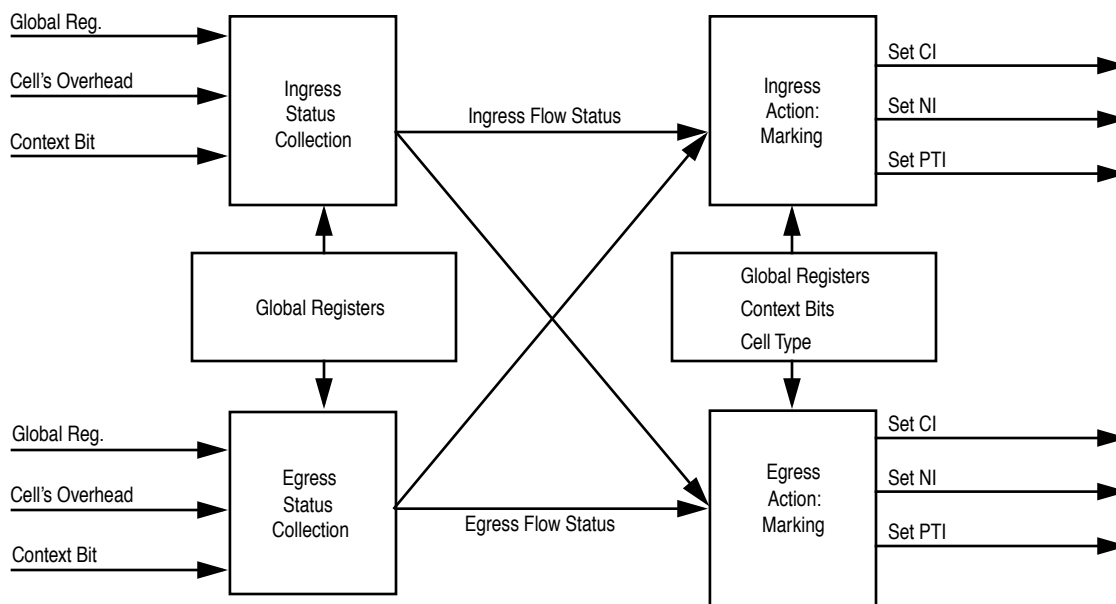


Figure 11. Cell Marking Scheme

There are various ways to inform the MC92501 that it should mark a cell due to the ingress flow status or the egress flow status. This scheme also shows that the status of the ingress flow, the status of the egress flow, global registers, a context bit, and the cell type impact the decision of setting CI, NI, and PTI. Following is a detailed description of each of the function boxes.

5.4.1. Sources for Ingress Flow Status

The ingress flow status is gathered from three sources: global register, cell's overhead, or context bit.

5.4.1.1. Ingress Flow Status from Global Register

The switch fabric can notify the MC92501 that it should mark cells because of the ingress flow status by setting the IAME—Global Ingress ABR Mark Enable bit in the Ingress Processing Control Register (IPLR).

5.4.1.2. Ingress Flow Status from Cell's Overhead

The switch fabric can notify the MC92501 that it should mark cells because of the ingress flow status of connection #n by setting the IFS—Overhead Ingress Flow Status bit in the overhead of egress cells belonging to that connection. The location of this bit in the overhead is programmable using the EIBY—IFS Byte Location bit and the EIBI—IFS Bit Location bit in the Egress Switch Overhead Information Register 1 (ESOIR1). This bit is enabled by the EIAS—Global IFS Enable bit in the Egress Switch Interface Configuration Register (ESWCR). The MC92501 can be programmed that in such a case it will mark egress BRM cells.

5.4.1.3. Ingress Flow Status from Context Memory

The switch fabric can notify the MC92501 that it should mark cells because of the ingress flow status of connection #n by setting the IFS—Overhead Ingress Flow Status bit in the overhead of egress cells belonging to that connection. (See

Section 5.4.1.2 for details on enabling of IFS—Overhead Ingress Flow Status bit and its location.) When the MC92501 receives that cell, it copies the bit into the CIFS—Connection Ingress Flow Status bit in the Common Parameters Extension Word of connection #n. The MC92501 can be programmed that in such a case it will mark ingress FRM cells or perform EFCI marking.

5.4.1.4. Logic of Ingress Flow Status

The ingress flow status equals 1 if:

$$\text{IAME} = 1 \text{ OR}$$

$$\text{IFS} = 1 \text{ and EIAS} = 1 \text{ and egress} = 1 \text{ OR}$$

$$\text{CIFS} = 1 \text{ and EIAS} = 1 \text{ and ingress} = 1$$

Where:

IAME = Global Ingress ABR Mark Enable

IFS = Overhead Ingress Flow Status

EIAS = Global IFS Enable

CIFS = Connection IFS Enable

Egress = Programmed Overhead Egress Bit

Ingress = Programmed Overhead Ingress Bit

5.4.2. Sources for Egress Flow Status

The egress flow status is gathered from three sources: global register, cell's overhead, and context memory.

5.4.2.1. Egress Flow Status from Global Register

The switch fabric can notify the MC92501 that it should mark cells because of the egress flow status by setting the EAME—Global Egress ABR Mark Enable bit in the Egress Processing Control Register (EPLR).

5.4.2.2. Egress Flow Status from Cell's Overhead

The switch fabric can notify the MC92501 that it should mark cells because of the egress flow status of connection #n by setting the EFS—Overhead Egress Flow Status bit in the overhead of egress cells belonging to that connection. The

location of this bit in the overhead is programmable using the EEBY—EFS Byte Location bit and the EEBI—EFS Bit Location bit in the Egress Switch Overhead Information Register 1 (ESOIR1). This bit is enabled by the EEAS—Global EFS Enable bit in the Egress Switch Interface Configuration Register (ESWCR). The MC92501 can be programmed that in such a case it will mark egress FRM cells or perform EFCI marking.

5.4.2.3. Egress Flow Status from Context Memory

The switch fabric can notify the MC92501 that it should mark cells because of the egress flow status of connection #n by setting the EFS—Overhead Egress Flow Status bit in the overhead of egress cells belonging to that connection. (See Section 5.4.2.2 for details on enabling of EFS—Overhead Egress Flow Status bit and its location.) When the MC92501 receives that cell, it copies the bit into the CEFS—Connection Egress Flow Status bit in the Common Parameters Extension Word of connection #n. The MC92501 can be programmed that in such a case it will mark ingress BRM cells.

5.4.2.4. Logic of Egress Flow Status

The egress flow status equals 1 if:

EAME = 1 OR
 EFS = 1 and EEAS = 1 and egress = 1 OR
 CEFS = 1 and EEAS = 1 and ingress = 1

Where:

EAME = Global Egress ABR Mark Enable
 EFS = Overhead Egress Flow Status
 EEAS = Global EFS Enable
 CEFS = Connection EFS Enable
 Egress = Programmed Overhead Egress Bit
 Ingress = Programmed Overhead Ingress Bit

5.4.3. Ingress ABR Marking Bits

The MC92501 can mark cells as a result of either ingress flow status or egress flow status.

In the case where ingress flow status is asserted, the MC92501 can perform one or more of the following:

- Set CI bit in an ingress FRM cell — when the ISFCE—Global Ingress Set FRM CI Enable bit in the Ingress Processing Configuration Register (IPCR) is set.
- Set NI bit in an ingress FRM cell — when the ISFNE—Global Ingress Set FRM NI Enable bit in the IPCR is set.
- Set PTI[1] bit in an ingress cell whose PTI[2] = 0 — when the ISPE—Global Ingress Set PTI Enable bit in the IPCR is set.

In the case where egress flow status is asserted, the MC92501 can perform one or more the following:

- Set CI bit in an ingress BRM cell — when the ISBCE—Global Ingress Set BRM CI Enable bit in the IPCR is set.
- Set NI bit in an ingress BRM cell — when the ISBNE—Global Ingress Set BRM NI Enable bit in the IPCR is set.

All cell marking on the ingress is enabled on a per-connection basis by the CIME—Connection Ingress Marking Enable bit in the Common Parameters Extension Word.

5.4.3.1. Logic of Ingress ABR Marking Bits

The CI bit is set if:

FRM cell and CIME = 1 and ingress flow status = 1
 and ISFCE = 1 OR
 BRM cell and CIME = 1 and egress flow status = 1
 and ISBCE = 1

The NI bit is set if:

FRM cell and CIME = 1 and ingress flow status = 1 and
 ISFNE = 1 OR
 BRM cell and CIME = 1 and egress flow status = 1 and
 ISBNE = 1

The PTI[1] bit is set if:

PTI[2] = 0 and CIME = 1 and ingress flow status = 1 and
 ISPE = 1

Where:

CIME = Connections Ingress Marking Enable
 FRM Cell = Cell marked as FRM cell
 BRM Cell = Cell marked as BRM cell
 Ingress Flow Status = Set as defined in Section 5.4.1.4
 Egress Flow Status = Set as defined in Section 5.4.2.4
 ISFCE = Global Ingress Set FRM CI Enable
 ISFNE = Global Ingress Set FRM NI Enable
 ISPE = Global Ingress Set PTI Enable
 ISBCE = Global Ingress Set BRM CI Enable
 ISBNE = Global Ingress Set BRM NI Enable

5.4.4. Egress ABR Marking Bits

The MC92501 can mark cells as a result of either ingress flow status or egress flow status.

In the case where egress flow status is asserted, the MC92501 can perform one or more of the following:

- Set CI bit in an egress FRM cell — when the ESFCE—Global Egress Set FRM CI Enable bit in the Egress Processing Configuration Register (EPCR) is set.
- Set NI bit in an egress FRM cell — when the ESFNE—Global Egress Set FRM NI Enable bit in the EPCR is set.
- Set PTI[1] bit in an egress cell whose PTI[2] = 0 — when the ESPE—Global Egress Set PTI Enable bit in the EPCR is set.

In the case where ingress flow status is asserted, the MC92501 can perform one or more the following:

- Set CI bit in an egress BRM cell — when the ESBCE—Global Egress Set BRM CI Enable bit in the EPCR is set.
- Set NI bit in an egress BRM cell — when the ESBNE—Global Egress Set BRM NI Enable bit in the EPCR is set.

All cell marking on the egress is enabled on a per-connection basis by the CEME—Connection Egress Marking Enable bit in the Common Parameters Extension Word.

5.4.4.1. Logic of Egress ABR Marking Bits

The CI bit is set if:

FRM cell and CEME = 1 and egress flow status = 1
and ESFCE = 1 OR

BRM cell and CEME = 1 and ingress flow status = 1
and ESBCE = 1

The NI bit is set if:

FRM cell and CEME = 1 and egress flow status = 1 and
ESFNE = 1 OR

BRM cell and CEME = 1 and ingress flow status = 1 and
ESBNE = 1

The PTI[1] bit is set if:

PTI[2] = 0 and CEME = 1 and egress flow status = 1 and
ESPE = 1

Where:

CEME = Connections Egress Marking Enable

FRM Cell = Cell marked as FRM cell

BRM Cell = Cell marked as BRM cell

Ingress Flow Status = Set as defined in Section 5.4.1.4

Egress Flow Status = Set as defined in Section 5.4.2.4

ESFCE = Global Egress Set FRM CI Enable

ESFNE = Global Egress Set PTI Enable

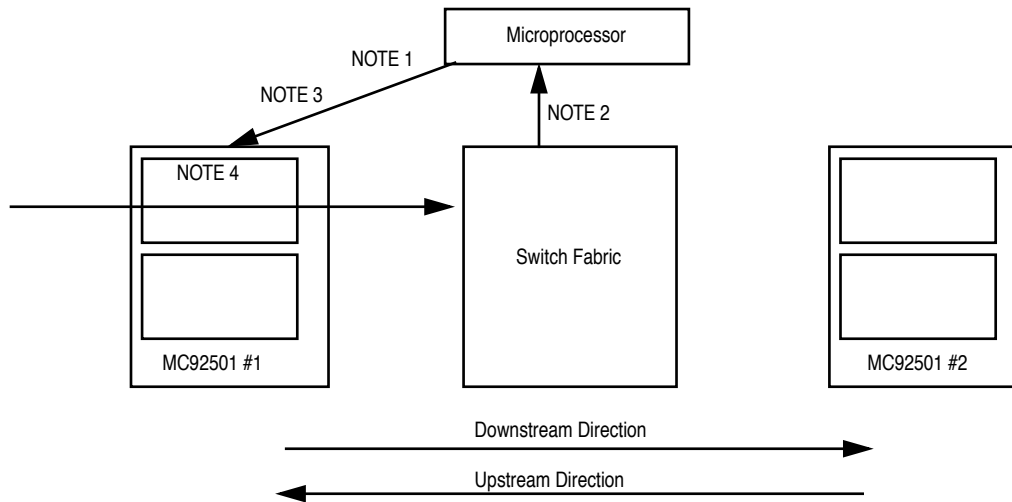
ESPE = Global Egress Set BRM CI Enable

ESBCE = Global Egress Set BRM NI Enable

ESBNE = Global Egress Set BRM NI Enable

5.4.5. Cell Marking Examples

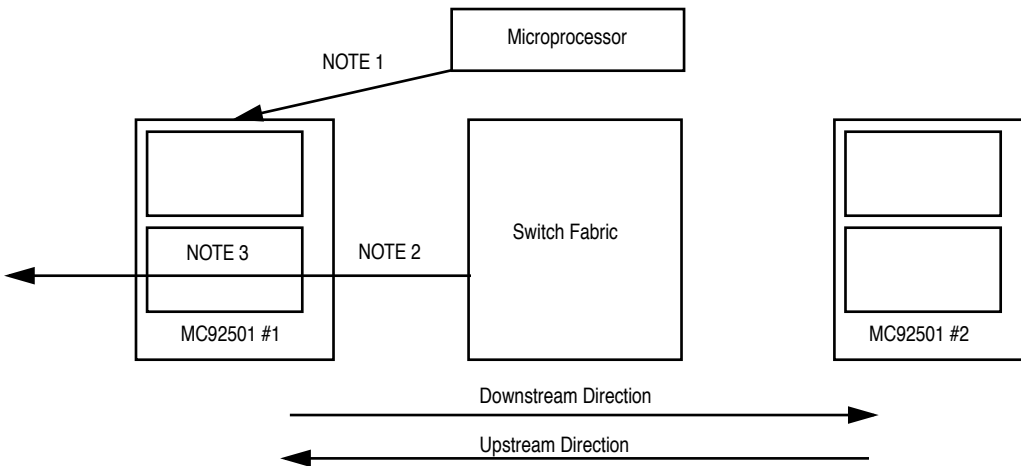
Figure 12, Figure 13, and Figure 14 provide examples for CI and NI marking.



NOTES:

1. Initially the microprocessor configures the MC92501 #1 as follows:
 - Sets the ISFCE—Global Ingress Set FRM CI Enable bit.
 - Sets the CIME—Connection Ingress Marking Enable bit for selected ABR connections.
2. The switch fabric informs the microprocessor that ingress ABR queues have reached some limit.
3. The microprocessor sets the IAME—Global Ingress ABR Mark Enable bit.
4. The MC92501 sets the CI bit for FRM cells belonging to the selected ABR connections.

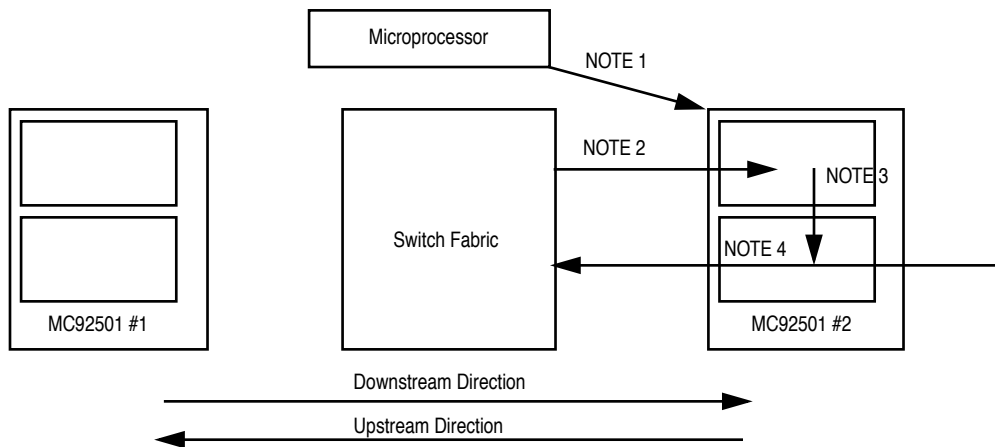
Figure 12. Enable Marking CI Bits of Ingress FRM Cells



NOTES:

1. Initially the microprocessor configures the MC92501 #1 as follows:
 - Sets the EIAS—Global IFS Enable bit.
 - Sets the ESBNE—Global Egress Set BRM NI Enable bit.
 - Programs the location of the IFS—Overhead Ingress Flow Status bit by writing to the EIBY—IFS Byte Location and the EIBI—IFS Bit Location fields.
 On connection setup the microprocessor configures the MC92501 #1 as follows:
 - Sets the CEME—Connection Egress Marking Enable bit for selected ABR connections.
2. The switch detects that the ingress queue of connection #n has reached a limit. It sets ingress flow status bit on the overhead of cells belonging to that connection.
3. The MC92501 sets the NI bit of BRM cell belonging to connection #n.

Figure 13. Egress Flow Contains Ingress Flow Status and Causes the MC92501 to Mark BRM Cell NI Field



NOTES:

1. Initially the microprocessor configures the MC92501 #2 as follows:
 - Sets the EEAS—Global EFS Enable bit.
 - Sets the ISBCE—Global Ingress Set BRM CI Enable bit.
 - Programs the location of the EFS—Overhead Egress Flow Status bit by writing to the EEBY—EFS Byte Location and the EEBI—EFS Bit Location fields.
 On connection setup the microprocessor configures the MC92501 #2 as follows:
 - Sets the CEME—Connection Egress Marking Enable bit for selected ABR connections.
2. The switch detects that the egress queue of connection #n has reached a limit. It sets egress flow status bit on the overhead of cells belonging to that connection.
3. The MC92501 copies the overhead egress flow status bit into the CEFS—Connection Egress Flow Status bit and effectively sets it.
4. The MC92501 sets the CI bit of BRM cells belonging to connection #n.

Figure 14. Egress Flow Contains Egress Flow Status for Connection #n Causes the MC92501 to Mark CI Bit of All Ingress BRM Cells Belonging to That Connection

5.5. Ingress Switch ABR Priority Interface

The MC92501 defines an 8-bit field which can be overlaid on bits of the ingress switch parameters belonging to RM cells. In applications where the overlaid switch parameter field is a priority field which is used by the switch fabric, RM cells can gain higher priority in passing the switch and thus enable shortening the feedback loop for ABR.

The MC92501 performs this field overlay if one of the following occurs:

- An ingress BRM cell is received and both the IBOE—Ingress BRM Overlay Enable bit and the IROE—Ingress RM Overlay Enable bit are set.

- An ingress FRM cell is received and both the IFOE—Ingress FRM Overlay Enable bit and the IROE—Ingress RM Overlay Enable bit are set.

Once the MC92501 is enabled, it uses the ROL—RM Overlay Location field in order to locate one byte out of 12 bytes on the ingress switch parameters. This byte is overlaid by the ROF—RM Overlay field only on bits which are enabled by the ROM—RM Overlay Mask field.

See Section 11.4.12 for field descriptions.

5.5.1. An Example

Figure 15 demonstrates the ingress switch APB priority interface, supposing that the ROF field = 11001101, the ROM field = 01111000, the ROL field = 9, the IBOE bit is set, and that the current cell is a backward RM cell.

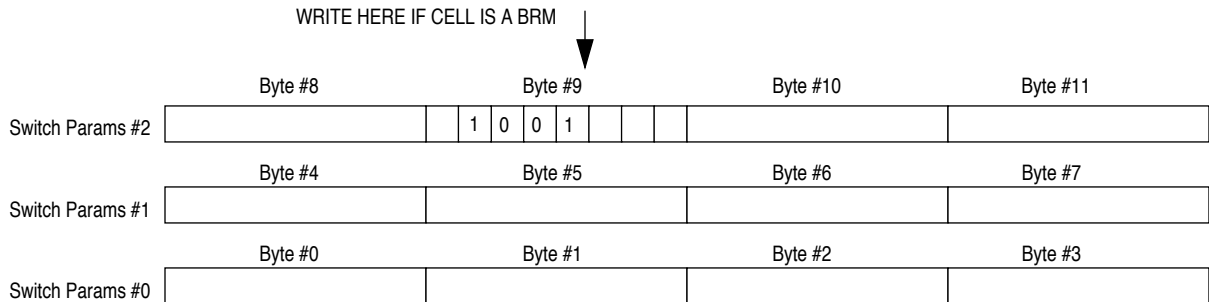


Figure 15. Example of Ingress Switch ABR Priority Interface

5.6. Egress Reset EFCI

The MC92501 resets PTI[1] on a cell which meet the following conditions:

- Its PTI[2] = 0.
- It is a non-RM cell.

- The EREF—Egress Reset EFCI bit in the Context Parameters Extension Table for the connection to which the cell belongs is set.
- This feature can be used as part of “destination behavior.”

Egress Reset EFCI is enabled globally by the EPCV—Egress Features Enable bit in the ACR.

SECTION 6. CLP TRANSPARENCY

6.1. Overview

The traffic management specification defines two network operation models with relation to CLP = 1 flow: CLP transparent and CLP significant. A connection which is CLP transparent does not have different Cell Loss Ratio (CLR) for CLP = 0 or CLP = 1 traffic, and therefore does not prefer discarding CLP = 1 over CLP = 0 cells on congestion. Current switch fabrics do distinguish globally between CLP = 0 traffic and CLP = 1 traffic with the CLP = 1 traffic being more susceptible to discarding in case of congestion.

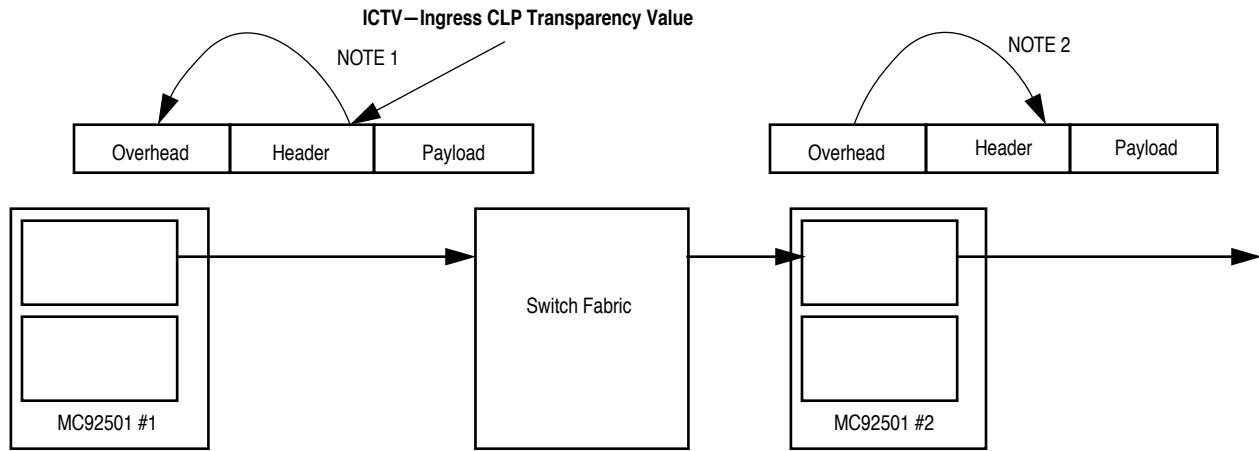
The MC92501 solves the problem in the following manner:

- If a cell belongs to a connection which supports CLP transparency (the ICTE—Ingress CLP Transparency Enable bit in the Common Parameters Extension Word is set), then the MC92501 moves the CLP from the cell's

header to IOCLP—Ingress Overhead CLP bit in the cell's overhead and assigns 0 to the header CLP.

- The cell is forwarded to the switch fabric. The switch fabric considers the cell as if it has CLP = 0.
- On the egress side, the MC92501 reconstructs the header CLP from the EOCLP—Egress Overhead CLP bit in the cell's overhead.

In order to support other applications, the MC92501 function is extended as follows. It assigns the ICTV—Ingress CLP Transparency Value bit (defined in the Common Parameters Extension Word) to the cell's header instead of 0. If the ICTV—Ingress CLP Transparency Value bit = 0 then we are back at the CLP transparency application. CLP Transparency is enabled globally by the IPCV—Ingress Features Enable bit in the ACR register.



NOTES:

1. If a cell belongs to a connection which supports CLP transparency (the ICTE—Ingress CLP Transparency Enable bit is set), then MC92501 moves the CLP from the cell's header to the IOCLP—Ingress Overhead CLP bit in the cell's overhead and assigns the ICTV—Ingress CLP Transparency Value bit to the header CLP.
2. If the CIFS—Connection Ingress Flow Status bit is set then the MC92501 reconstructs the header CLP from the EOCLP—Egress Overhead CLP bit in the cell's overhead.

Figure 16. CLP Transparency with a CLP Significant Switch Fabric

The IOCLP—Ingress Overhead CLP bit location is programmable using the OCBL—IOCLP Bit Location field in the Ingress Switch Interface Configuration Register (ISWCR).

The EOCLP—Egress Overhead bit location is programmable using the EOBY—EOCLP Byte Location field and the EOBI—EOCLP Bit Location field in the Egress Switch Overhead Information Register 1 (ESOIR1).

SECTION 7. INDIRECT EXTERNAL MEMORY ACCESS

7.1. Overview

The MC92500 allows the processor to access its external memory for the duration of one cell processing time out of N, where N is programmable. The MC92501 will additionally allow the processor to access external memory while operating on the cell stream. The indirect access takes place at least once in every cell processing slot. The indirect access is not performed during maintenance.

7.2. User Interface

Indirect external memory access is performed using two registers: the Indirect External Memory Access Address Register (IAAR) and the Indirect External Memory Access Data Register (IADR).

7.2.1. Write Access

In order to write to the external memory, the processor should poll the IAB—Indirect External Memory Access Busy bit in the IAAR register to verify the status of the IAAR and IADR registers. If IAB is clear, then the processor can write the address data and status into the appropriate registers. The IAD—Indirect External Memory Address DIR bit is set to 0 for a write operation. Writing to the IAAR register triggers the MC92501 to wait for a dedicated clock to write the data into the external memory using the given address and data. Once the MC92501 finishes writing, it clears the IAB—Indirect External Memory Access Busy bit in the IAAR register.

7.2.2. Read Access

In order to read from the external memory, the processor should poll the IAB—Indirect External Memory Access Busy bit in the IAAR register to verify that it may write the IAAR register. If IAB is clear, then the processor can write the address, size, and direction into the appropriate registers. For a read operation, the IAD—Indirect External Memory Address DIR bit is set to 1. Writing to the IAAR register triggers the MC92501 to wait for a dedicated clock, and read the data from external memory using the given address and write the data into the IADR register. Once the data was written into the IADR register, the MC92501 clears the IAB—Indirect External Memory Access Busy bit in the IAAR register. The processor then may read the data from the IADR register.

The address space which is covered by this interface includes all the non-destructive external memory access and an external address compression device.

NOTE

Indirect write access to an external memory space, which can be written by the MC92501, is not recommended. For example, an indirect write access to a flag-table record of an active connection is not recommended. It is advisable to use the maintenance cell slot for this purpose.

Table 1 summarizes indirect access fields:

Table 1. Indirect Access Fields

IAD— Indirect External Memory Access DIR	IAW— Indirect External Memory Access Size	Least Significant Bit of IAA— Indirect External Memory Access Address	DO—Data Order	Function
0	0	x	x	Write IADR[31:00] to external memory word bits [31:00]
0	1	0	0	Write IADR[31:16] to external memory word [31:16]
0	1	0	1	Write IADR[15:00] to external memory word [15:00]
0	1	1	0	Write IADR[15:00] to external memory word [15:00]
0	1	1	1	Write IADR[31:16] to external memory word [31:16]
1	x	x	x	Read external memory word bits [31:00] to IADR[31:00]

SECTION 8. IMPROVED HOST INTERFACE

8.1. Overview

In order to improve the MC92501 interface to the microprocessor, the following features were added:

8.1.1. An Additional $\overline{\text{MDTACK}}$ Signal

The $\overline{\text{MDTACK}}$ signals enable a glueless interface to systems on which there are two $\overline{\text{MDTACK}}$ signals and their combination conveys the bus width of the slave. The $\overline{\text{MDTACK1}}$ signal is driven only when the $\overline{\text{MDTACK0}}$ signal is driven and when the MDC—MDTACK Drive Control is set.

8.1.2. Programmable $\overline{\text{MREQ}}$ Signals

The MC92500 generates three $\overline{\text{DREQ}}$ signals: $\overline{\text{EMMREQ}}$ for external memory request, $\overline{\text{MCIREQ}}$ for cell insertion request, and $\overline{\text{MCOREQ}}$ for cell extraction request. The MC92501 changes the functionality (and the name) of the three $\overline{\text{DREQ}}$ lines. Each $\overline{\text{MREQ}}[n]$ line may be connected to each of the internal requests: external memory, cell insertion, or cell extraction. If a system contains three DMAs, then each DMA may be connected to a different DMA $\overline{\text{DREQ}}$ signal. In

systems with less than three DMAs, each such DMA should switch between the $\overline{\text{MREQ}}$ lines. This switching can be done when using the MC92500 through the use of glue logic. In these cases, this feature enables a glueless interface. The $\overline{\text{MREQ}}$ signals default to the MC92500 configuration so that backwards compatibility is maintained.

8.1.3. Update the Definition of $\overline{\text{MWSH}}$ and $\overline{\text{MWSL}}$ Signals

$\overline{\text{MWSH}}$ and $\overline{\text{MWSL}}$ are used in MC92500 as word select during external memory accesses. Some systems assert these signals only during write cycles. The MC92501 uses these signals only on external memory write accesses. Read accesses are always performed regardless of these signals. Moreover, another use of these signals is for systems to use them for Address[1] bit and SIZE. The MC92501 supports another definition for the same pins: $\overline{\text{MWSH}}$ pin can serve as Address[1] while $\overline{\text{MWSL}}$ can serve as SIZE. The WSSM—Word Select Signals Mode bit selects which mode is supported. Table 2 describes the pins' functionality:

Table 2. Host Interface Fields

WSSM—Word Select Signals Mode = 0		WSSM—Word Select Signals Mode = 1 and DO—Data Order = 0		WSSM—Word Select Signals Mode = 1 and DO—Data Order = 1		Function
MWSH	MWSL	A1	Size	A1	Size	
0	0	x	0	x	0	Write D(31:0)
0	1	0	1	1	1	Write D(31:16)
1	0	1	1	0	1	Write D(15:00)

SECTION 9. EGRESS OVERHEAD MANIPULATION

The MC92501 supports the following features:

- The size of the ECI field used by the egress cell processing block can be programmed by writing to the ECES—Egress Cell Processing Block ECI Size field in the Egress Overhead Manipulation Register (EGOMR).
- The size of the MTTS field used by the egress cell processing block can be programmed by writing to the ECTS—Egress Cell Processing Block MTTS Size field in the EGOMR.
- The M bit used by the egress cell processing block can be either the M bit which was extracted from the cell's overhead, the logical not of the M bit which was extracted from the cell's overhead, or 1 or 0 by programming the ECMS—Egress Cell Processing Block M Bit Source field in the EGOMR.
- In ECI on Header mode, the ECI is extracted from the ATM cell header. The header VPI field size can be programmed to either 12 bits or 8 bits using the VPS—VPI Size in ECI on Header Mode bit of the Egress Switch Interface Configuration Register (ESWCR).

SECTION 10. UTOPIA LEVEL 2 PHY INTERFACE

The MC92501 PHY interface can be programmed to support UTOPIA Level 2. It allows for operation of one TxClav and one RxClav signal.

On the ingress direction, the MC92501 supports address polling on up to 16 physical links. It scans all the links in a round robin fashion and decides from which PHY to read the next cell.

UTOPIA Level 2 is enabled on ingress by programming the IUM—Ingress UTOPIA Mode bit of the Ingress PHY Configuration Register (IPHCR). In this mode, Receive PHY ID 0-3/Receive Address 0-3 (RXPHYID0-RXPHYID3/RXADDR0-RXADDR3) signals function as RXADDR0-RXADDR4.

NOTE

RXADDR4 is a new functional signal in MC92501 that was a NC (No Connect) on the MC92500.

UTOPIA Level 2 is enabled on egress by programming the EUM—Egress UTOPIA Mode bit of the Egress PHY Configuration Register (EPHCR). In this mode, the Transmit PHY ID 0-3 /Transmit Address 0-3 (TXPHYID0-TXPHYID3/TXADDR0-TXADDR3) signals and the Transmit Next PHY ID Valid/Transmit Address 4 (TXPHYIDV/TXADDR4) signal are used as TXADDR0-TXADDR4. The MC92501 polls the link of the cell in its egress PHY IF FIFO, and when enabled it outputs the cell to the link PHY. The MC92501 performs address polling on all other links as well in order to enable external logic to monitor the PHY's status.

Figure 17 illustrates an application on which external logic monitors the RxClav signal while the MC92501 is polling the PHY devices. Based on this information, the external logic can input cells to the MC92501 egress flow.

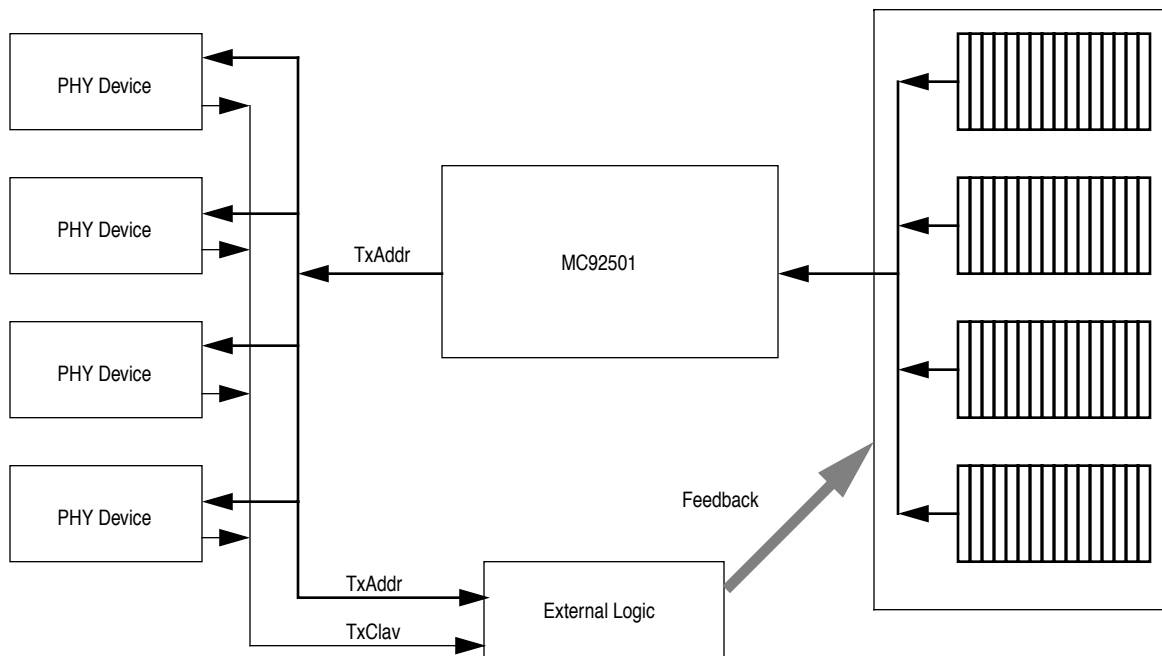


Figure 17. Feedback Using TxClav

SECTION 11. REGISTER DESCRIPTIONS

This section describes the registers which were added or modified for the MC92501.

11.1. General Register List

Table 3 contains all the registers which were added and their addresses.

Table 3. General Register List

Register Group	Register Name	Mnemonic	ADD (25:0)	Ref. Page
Control Registers	Ingress Processing Control Register	IPLR	0030824	25
	Egress Processing Control Register	EPLR	0030828	25
	Indirect External Memory Access Address Register	IAAR	0030810	26
	Indirect External Memory Access Data Register	IADR	0030814	26
Configuration Register	Egress Switch Overhead Information Register 1	ESOIR1	0030818	32
	RM Overlay Register	RMOR	003081C	33
	Egress Overhead Manipulation Register	EGOMR	0030820	34
	Common Parameters Extension Table Pointer Register	CPETP	0030d88	33
	CLP Transparency Overlay Register	CTOR	003082C	33

11.2. Status Reporting Registers

The following registers have been updated. The fields that have been added are in bold.

11.2.1. Interrupt Register (IR)

The FQF bit has been added.

31	30	29	28	27	26	25	24	23	22	21	20	19	18	17	16
OM	CM	MSE	0	0	0	0	SPD	0	0	FQF	CIQE	CEQR	CEQI	CEQL	CEQF
15	14	13	12	11	10	9	8	7	6	5	4	3	2	1	0
0	0	UDI50	UDI40	UDI30	UDI20	UDI1ES PE	UDI0ES HE	0	0	0	IPPE	IPHE	FQO	FQEO	MNAE

FQF—FMC Queue Full

This bit reports that the internal FMC queue is full. The reason for this is that the FMC generation rate is higher than the allocated insertion bandwidth. Insertion rate is controlled by the insertion leaky bucket.

11.2.2. Interrupt Mask Register (IMR)

The FQFE bit has been added.

31	30	29	28	27	26	25	24	23	22	21	20	19	18	17	16
OME	CME	MSEE	0	0	0	0	SPDE	0	0	FQFE	CIQEE	CEQRE	CEQIE	CEQLE	CEQFE
15	14	13	12	11	10	9	8	7	6	5	4	3	2	1	0
0	0	UDIE50	UDIE40	UDIE30	UDIE20	UDIE1E SPEE	UDIE0E SHEE	0	0	0	IPPEE	IPHEE	FQOE	FQEOE	MNAEE

FQFE—FMC Queue Full Interrupt Enable

When FQF and FQFE are set, an interrupt is generated.

11.2.3. ATMC CFB Revision Register (ARR)

The AMRV field has been updated.

Table 4. Values of ATMC CFB Revision Fields

AMRV	ASRV	ATMC CFB Revision
000001	000000	MC92501 (MC92500 Revision B)

11.2.4. MC92501 Revision Register (RR)

The MRV field has been updated.

Table 5. Values of the MC92501 Revision Fields

ID	MRV	SRV	MC92501 Revision
10000000000000000000	000001	000000	MC92501 (MC92500 Revision B)

11.3. Control Registers

The following registers have been added.

11.3.1. Ingress Processing Control Register (IPLR)

This register has the following structure:

31	30	29	28	27	26	25	24	23	22	21	20	19	18	17	16
0	0	0	0	0	0	0	0	0	0	0	0	0	0	0	0
15	14	13	12	11	10	9	8	7	6	5	4	3	2	1	0
0	0	0	0	0	0	0	0	0	0	0	0	0	0	ICNG	IAME

ICNG—Global Ingress Congestion Notification

This bit notifies the MC92501 whether there is congestion in the ingress flow. See Section 4.

0 = No ingress congestion.

1 = Ingress congestion. The MC92501 performs selective discard according to per-connection CIME—Connection Ingress Marking Enable bit.

IAME—Global Ingress ABR Mark Enable

This bit, when set, indicates that current ingress flow status implies that the MC92501 should perform RR marking and/or EFCI marking if enabled. See Section 5.4.1.

11.3.2. Egress Processing Control Register (EPLR)

This register has the following structure:

31	30	29	28	27	26	25	24	23	22	21	20	19	18	17	16
0	0	0	0	0	0	0	0	0	0	0	0	0	0	0	0
15	14	13	12	11	10	9	8	7	6	5	4	3	2	1	0
0	0	0	0	0	0	0	0	0	0	0	0	0	0	0	EAME

EAME—Global Egress ABR Mark Enable

This bit, when set, indicates that current egress flow status implies that the MC92501 should perform RR marking and/or EFCI marking if enabled. See Section 5.4.2.

11.3.3. Indirect External Memory Access Address Register (IAAR)

This register contains the address, width, and busy bit for accessing the MC92501 external memory or the external memory device. Refer to Section 7 for details. The register has the following structure:

31	30	29	28	27	26	25	24	23	22	21	20	19	18	17	16
IAB	IAD	IAW	0	0	0	IAAS		IAA							
15	14	13	12	11	10	9	8	7	6	5	4	3	2	1	0
IAA															0

IAB—Indirect External Memory Access Busy

This bit indicates that indirect external memory access mechanism is busy.

- 0 = Indirect access mechanism is free and therefore indirect external memory access data register can be accessed.
- 1 = Indirect access mechanism is busy and therefore indirect access data register should not be accessed.

IAD—Indirect External Memory Access DIR

This bit indicates indirect access direction.

- 0 = Indirect write access
- 1 = Indirect read access

IAW—Indirect External Memory Access Size

This bit indicates the size of the access.

- 0 = 32 bits
- 1 = 16 bits

IAAS—Indirect External Memory Access Address Space

This field indicates the accessed address space.

- 00 = Reserved
- 01 = External address compression device
- 10 = Non-destructive external memory
- 11 = Reserved

IAA—Indirect External Memory Access Address

This field indicates bits 23:1 of the address within the address space specified in the IAAS—Indirect External Memory Access Address Space field.

11.3.4. Indirect External Memory Access Data Register (IADR)

This register contains the data which should be written to the external memory in case of an indirect write access or the data that was last read from external memory in case of an indirect read access. Refer to Section 7 for details.

11.4. Configuration Register

The following registers have been updated. The fields that have been added are in bold.

11.4.1. Ingress Processing Configuration Register (IPCR)

31	30	29	28	27	26	25	24	23	22	21	20	19	18	17	16
0	0	0	0	0	0	0	0	IGCTE	ICCR	IRCR	ISFCE	ISFNE	ISPE	ISBCE	ISBNE
15	14	13	12	11	10	9	8	7	6	5	4	3	2	1	0
IPCC			0	IGZC	IUHC	IIP	IROE	0	IBCC			IPCV	IAPE		IACE

IGCTE—Global Ingress CLP Transparency Enable

This bit enables CLP transparency function on the ingress. See Section 6 for details.

ICCR—Ingress Check CRC on RM Cells

This bit determines whether the CRC of RM cells that are received in the ingress is checked.

0 = The CRC of RM cells that are received in the ingress is not checked.

1 = The CRC of RM cells that are received in the ingress is checked and if it is not okay, then the cell is removed and can be copied to the microprocessor.

IRCR—Ingress Recalculate CRC on RM Cells

This bit determines whether the CRC of ingress RM cells is recalculated.

0 = The CRC of ingress RM cells is not recalculated.

1 = The CRC of ingress RM cells is recalculated.

ISFCE—Global Ingress Set FRM CI Enable

This bit enables setting CI bit in forward RM cells received in ingress. See Section 5.4.3 for details.

0 = Setting CI bit in forward RM cells received in ingress is disabled.

1 = Setting CI bit in forward RM cells received in ingress is enabled.

ISFNE—Global Ingress Set FRM NI Enable

This bit enables setting NI bit in forward RM cells received in ingress. See Section 5.4.3 for details.

0 = Setting NI bit in forward RM cells received in ingress is disabled.

1 = Setting NI bit in forward RM cells received in ingress is enabled.

ISPE—Global Ingress Set PTI Enable

This bit enables setting PTI[1] bit in cells with PTI[2] = 0 which are received in ingress. See Section 5.4.3 for details.

0 = Setting PTI[1] bit in cells with PTI[2] = 0 which are received in ingress is disabled.

1 = Setting PTI[1] bit in cells with PTI[2] = 0 which are received in ingress is enabled.

ISBCE—Global Ingress Set BRM CI Enable

This bit enables setting CI bit in backward RM cells received in ingress. See Section 5.4.3 for details.

0 = Setting CI bit in backward RM cells received in ingress is disabled.

1 = Setting CI bit in backward RM cells received in ingress is enabled.

ISBNE—Global Ingress Set BRM NI Enable

This bit enables setting NI bit in backward RM cells received in ingress. See Section 5.4.3 for details.

0 = Setting NI bit in backward RM cells received in ingress is disabled.

1 = Setting NI bit in backward RM cells received in ingress is enabled.

IROE—Ingress RM Overlay Enable

This bit enables updating switch parameter words in the case of RM cells. See Section 5.5 for details.

IPCV—Ingress Features Enable

This bit should be set when the following features are used: packet-based UPC, selective discard, and CLP transparency.

11.4.2. Egress Processing Configuration Register (EPCR)

31	30	29	28	27	26	25	24	23	22	21	20	19	18	17	16
0	0	0	0	0	0	0	0	EGCTE	ECCR	ERCR	ESFCE	ESFNE	ESPE	ESBCE	ESBNE
15	14	13	12	11	10	9	8	7	6	5	4	3	2	1	0
EPCC			0	0	0	EIP	0	0	EBCC			EPCV	RGFC	0	0

EGCTE—Global Egress CLP Transparency Enable

This bit enables CLP transparency function on the egress. See Section 6 for details.

ECCR—Egress Check CRC on RM Cells

This bit determines whether the CRC of RM cells that are received in the egress is checked.

0 = The CRC of RM cells that are received in the egress is not checked.

1 = The CRC of RM cells that are received in the egress is checked and if it is not okay, then the cell is removed and can be copied to the microprocessor.

ERCR—Egress Recalculate CRC on RM Cells

This bit determines whether the CRC of egress RM cells is recalculated.

0 = The CRC of egress RM cells is not recalculated.

1 = The CRC of egress RM cells is recalculated.

ESFCE—Global Egress Set FRM CI Enable

This bit enables setting CI bit in forward RM cells received in egress. See Section 5.4.2.

0 = Setting CI bit in forward RM cells received in egress is disabled.

1 = Setting CI bit in forward RM cells received in egress is enabled.

ESFNE—Global Egress Set FRM NI Enable

This bit enables setting NI bit in forward RM cells received in egress. See Section 5.4.2.

0 = Setting NI bit in forward RM cells received in egress is disabled.

1 = Setting NI bit in forward RM cells received in egress is enabled.

ESPE—Global Egress Set PTI Enable

This bit enables setting PTI[1] bit in cells with PTI[2] = 0 which are received in egress. See Section 5.4.2.

0 = Setting PTI[1] bit in cells with PTI[2] = 0 which are received in egress is disabled.

1 = Setting PTI[1] bit in cells with PTI[2] = 0 which are received in egress is enabled.

ESBCE—Global Egress Set BRM CI Enable

This bit enables setting CI bit in backward RM cells received in egress. See Section 5.4.2.

0 = Setting CI bit in backward RM cells received in egress is disabled.

1 = Setting CI bit in backward RM cells received in egress is enabled.

ESBNE—Global Egress Set BRM NI Enable

This bit enables setting NI bit in backward RM cells received in egress. See Section 5.4.2.

0 = Setting NI bit in backward RM cells received in egress is disabled.

1 = Setting NI bit in backward RM cells received in egress is enabled.

EPCC—Egress Policing Counters Control

This field determines which counters appear in the Policing Counters Table if egress UPC is enabled. (The UPCF—UPC Flow bit in the ACR is set.) It also determines the size of each record in the table.

000 = The policing table does not exist.

001 = The policing table contains three counters and one reserved long word: DSCD0, DSCD1, TAG, Reserved.

010 = The policing table contains three counters: DSCD0, DSCD1, TAG.

011 = The policing table contains two counters: DSCD, TAG.

100 = The policing table contains one counter: TAG.

101 = The policing table contains one counter: DSCD.

110 = Reserved

111 = Reserved

EIP—Egress Insertion Priority

This bit determines the priority between inserted/generated cells and egress received cells.

Note that insertion is always limited by the leaky bucket mechanism.

0 = Inserted/generated cells' priority is higher than egress received cells.

1 = Egress received cells' priority is higher than inserted/generated cells.

EPCV—Egress Features Enable

This bit should be set when the reset EFCI feature is activated. See Section 5.6.

11.4.3. ATMC CFB Configuration Register (ACR)

31	30	29	28	27	26	25	24	23	22	21	20	19	18	17	16
ATC		SPC		COMC	INPC	EGPC	DVTC		FLGC	OAMC	VPRP	FTM	CRRP	PMAC	
15	14	13	12	11	10	9	8	7	6	5	4	3	2	1	0
UPCF	0	0	0	0	0	0	0	0	0	0	0	0	0	0	0

VPRP—VP RM Cell PTI

This bit determines whether a cell is a VP RM cell only if its PTI = 6.

0 = A cell is a VP RM cell if and only if it belongs to a VP connection, its VCI = 6, and its PTI = 6.

1 = A cell is a VP RM cell if and only if it belongs to a VP connection and its VCI = 6.

CRRP—VC RM Cell Removal Point

This bit determines whether a VC cell whose PTI = 6 or 7 is removed at the OAM termination point, or whether its removal is subjected to the per-connection enable bits for PTI = 6 or PTI = 7.

0 = A VC cell whose PTI = 6 or 7 is removed at the OAM termination point as defined by the EEOT—Egress End-to-End OAM Termination bit in the egress and by the IEOT—Ingress End-to-End OAM Termination bit in the ingress.

1 = A VC cell is removed at the egress if the EP6R—Egress PTI 6 Remove bit is set and its PTI = 6 or if the EP7R—Egress PTI 7 Remove bit is set and its PTI = 7. A VC cell is removed at the ingress if the IP6R—Ingress PTI 6 Remove bit is set and its PTI = 6 or if the IP7R—Ingress PTI 7 Remove bit is set and its PTI = 7.

PMAC—PM on All Connections

This bit determines whether the OAM performance monitoring test can be done on all connections or on 64 connections.

0 = Performance monitoring can be done only on 64 selected connections.

1 = Performance monitoring can be done on all connections.

UPCF—UPC Flow

This bit determines whether the UPC is active in the ingress flow or in the egress flow.

0 = The UPC is active in the ingress flow.

1 = The UPC is active in the egress flow.

11.4.4. Egress Switch Interface Configuration Register (ESWCR)

31	30	29	28	27	26	25	24	23	22	21	20	19	18	17	16
EIAS	EEAS	VPS	0	0	IHAF	0	ESFC	EFE	MTSE	EATD	ELNS	ESPC	ESPR	EPLP	ESHF
15	14	13	12	11	10	9	8	7	6	5	4	3	2	1	0
ESNB					0	IMSB					ILSB				

EIAS—Global IFS Enable

This bit enables the MC92501 to use the IFS—Overhead Ingress Flow Status bit in the egress switch overhead. See Section 5.4.1 for details.

0 = The IFS—Overhead Ingress Flow Status bit is not defined in the egress overhead fields so it cannot trigger ABR cell marking.

1 = The IFS—Overhead Ingress Flow Status bit is defined in the egress overhead fields and is used by the MC92501 for marking cells.

EEAS—Global EFS Enable

This bit enables the MC92501 to use the EFS—Overhead Egress Flow Status bit in the egress switch overhead. See Section 5.4.2 for details.

- 0 = The EFS—Overhead Egress Flow Status bit is not defined in the egress overhead fields so it cannot trigger ABR cell marking.
- 1 = The EFS—Overhead Egress Flow Status bit is defined in the egress overhead fields and is used by the MC92501 for marking cells.

VPS—VPI Size in ECI on Header Mode

This bit determines the size of the VPI field for ECI on Header mode (IHAF = 1). See Section 9 for details.

- 0 = VPI size is 12 bits
- 1 = VPI size is 8 bits

11.4.5. Egress Switch Overhead Information Register 0 (ESOIR0)

This register name was ESOIR on MC92500.

The following definition is changed:

MTBI-MTTS Bit Location

This field indicates the location of the MTTS field within the byte specified by the MTBY-MTTS Byte Location field.

- 0 = MTTS equals the value that resides in bits 7:5 of the byte pointed to by the MTBY-MTTS Byte Location field.
- 1 = MTTS equals the value that resides in bits 7:6 of the byte pointed to by the MTBY-MTTS Byte Location field.
- 2 = MTTS equals the value that resides in bit 7 of the byte pointed to by the MTBY-MTTS Byte Location field.
- 3 = MTTS equals the value that resides in bits 3:0 of the byte pointed to by the MTBY-MTTS Byte Location field.
- 4 = MTTS equals the value that resides in bits 4:1 of the byte pointed to by the MTBY-MTTS Byte Location field.
- 5 = MTTS equals the value that resides in bits 5:2 of the byte pointed to by the MTBY-MTTS Byte Location field.
- 6 = MTTS equals the value that resides in bits 6:3 of the byte pointed to by the MTBY-MTTS Byte Location field.
- 7 = MTTS equals the value that resides in bits 7:4 of the byte pointed to by the MTBY-MTTS Byte Location field.

Note that this definition is backwards-compatible to the definition in MC92500.

11.4.6. Microprocessor Configuration Register (MPCONR)

31	30	29	28	27	26	25	24	23	22	21	20	19	18	17	16
DO	0		0	0	WSSM	0	0	RQ0	0	RQ1	0	RQ2			
15	14	13	12	11	10	9	8	7	6	5	4	3	2	1	0
0	0	MDC	0	DDDS	0	DDGR	0	DDEM	0	DDCI	0	DDCE			

WSSM—Word Select Signals Mode

This bit defines the functionality of the MP Word Write Enable High / Address 1 (MWSH/A1) and the MP Word Write Enable Low / SIZE (MWSL/SIZE) signals. See Section 8.1.3 for details.

- 0 = MWSH/A1 functions as MWSH-word write enable high and MWSL/SIZE functions as MWSL-word write enable low.
- 1 = MWSH/A1 functions as A1 and MWSL/SIZE functions as SIZE.

RQ0— $\overline{\text{MREQ0}}$ Signal Functionality

This field defines the functionality of the MP Request 0 ($\overline{\text{MREQ0}}$) signal. See Section 8.1.2 for details.

- 00 = Cell in request
- 01 = Cell in request
- 10 = Cell out request
- 11 = External memory request

RQ1— $\overline{\text{MREQ1}}$ Signal Functionality

This field defines the functionality of the MP Request 1 ($\overline{\text{MREQ1}}$) signal. See Section 8.1.2 for details.

- 00 = Cell out request
- 01 = Cell in request
- 10 = Cell out request
- 11 = External memory request

RQ2—MREQ2 Signal Functionality

This field defines the functionality of the MP Request 2 (MREQ2) signal. See Section 8.1.2 for details.

- 00 = External memory request
- 01 = Cell in request
- 10 = Cell out request
- 11 = External memory request

MDC—MDTACK Drive Control

This bit determines which MDTACK signals are driven.

- 0 = MDTACK0 is driven and MDTACK1 is not driven.
- 1 = Both MDTACK0 and MDTACK1 are driven.

11.4.7. Maintenance Configuration Register (MACONR)

The MSDR field is expanded from 6 bits to 9 bits.

31	30	29	28	27	26	25	24	23	22	21	20	19	18	17	16
0	0	0	0	0	0	0	0	0	0	0	0	0	0	0	0
15	14	13	12	11	10	9	8	7	6	5	4	3	2	1	0
MSDR									0	MSIR					

The maximum value for the MSDR is therefore 511 instead of 63. This means that the maintenance request signals can be asserted as much as 511 clocks (or 8 cell processing slots) before the CM bit.

11.4.8. Ingress PHY Configuration Register (IPHCR)

31	30	29	28	27	26	25	24	23	22	21	20	19	18	17	16
0	0	0	0	0	0	0	0	0	0	0	0	0	0	0	0
15	14	13	12	11	10	9	8	7	6	5	4	3	2	1	0
0	0	0	0	0	0	0	0	0	0	0	IUM	INVPD	IPOM	IPPR	IPLP

IUM—Ingress UTOPIA Mode

This bit defines the UTOPIA level mode of the ingress PHY. See Section 10.

- 0 = UTOPIA Level 1
- 1 = UTOPIA Level 2

11.4.9. Egress PHY Configuration Register (EPHCR)

31	30	29	28	27	26	25	24	23	22	21	20	19	18	17	16
0	0	0	0	0	0	0	0	0	0	0	0	0	0	0	0
15	14	13	12	11	10	9	8	7	6	5	4	3	2	1	0
0	0	0	0	0	0	0	0	0	0	0	EUM	EPFC	EPOM	ECGE	EGIC

EUM—Egress UTOPIA Mode

This bit defines the UTOPIA level mode of the egress PHY. See Section 10.

- 0 = UTOPIA Level 1
- 1 = UTOPIA Level 2

11.4.10. MC92501 General Configuration Register (GCR)

31	30	29	28	27	26	25	24	23	22	21	20	19	18	17	16
0	0	0	0	0	0	0	0	0	0	0	0	0	0	0	PHIDC
15	14	13	12	11	10	9	8	7	6	5	4	3	2	1	0
0	0	0	0	0	0	0	0	0	CMPC	0	0	ILCC	0	0	ELCC

CMPC—Context Parameters Extension Table Control

This bit determines the existence of the Context Parameters Extension Table in external memory. See Section 12.1 for details.

0 = The Common Parameters Table does not exist.

1 = The Common Parameters Table exists.

11.4.11. Egress Switch Overhead Information Register 1 (ESOIR1)

This register determines the location of the overhead information in the data structure received from the switch. The register has the following structure:

31	30	29	28	27	26	25	24	23	22	21	20	19	18	17	16
0	0	0	0	0	0	0	0	EOBY				EOBI			
15	14	13	12	11	10	9	8	7	6	5	4	3	2	1	0
EIBY				EIBI				EEBY				EEBI			

EOBY—EOCLP Byte Location

This field contains the byte number of the switch data structure in which the EOCLP—Egress Overhead CLP bit in the cell's overhead. The byte on which STXSOC is asserted is byte number 0. See Section 6 for details.

EOBI—EOCLP Bit Location

This field contains the number of the EOCLP—Egress Overhead CLP bit in the cell's overhead. The most significant bit is number 7, and the least significant bit is number 0. See Section 6 for details.

EIBY—IFS Byte Location

This field contains the byte number of the switch data structure in which the IFS—Overhead Ingress Flow Status bit can be found (overhead, header, and HEC bytes). The byte on which STXSOC is asserted is byte number 0. See Section 5.4.1.2 for details.

EIBI—IFS Bit Location

This field contains the number of the IFS—Overhead Ingress Flow Status bit within the byte specified by the EEBY—EFS Byte Location field. The most significant bit is number 7, and the least significant bit is number 0. See Section 5.4.1.2 for details.

EEBY—EFS Byte Location

This field contains the byte number of the switch data structure in which the EFS—Overhead Egress Flow Status bit can be found (overhead, header, and HEC bytes). The byte on which STXSOC is asserted is byte number 0. See Section 5.4.2.2 for details.

EEBI—EFS Bit Location

This field contains the number of the EFS—Overhead Egress Flow Status bit within the byte specified by the EIBY—IFS Byte Location field. The most significant bit is number 7, and the least significant bit is number 0. See Section 5.4.2.2 for details.

11.4.12. RM Overlay Register (RMOR)

This register contains all the parameters which are related to RM cell overlay. Refer to Section 5.5 for details. The register has the following structure:

31	30	29	28	27	26	25	24	23	22	21	20	19	18	17	16
IBOE	IFOE	0	0	ROL				ROM							
15	14	13	12	11	10	9	8	7	6	5	4	3	2	1	0
0	0	0	0	0	0	0	0	ROF							

IBOE—Ingress BRM Overlay Enable

This bit determines whether the MC92501 overlays the ROF—RM Overlay field on the switch parameters for ingress backward RM cells.

- 0 = Switch parameters are not overlaid when a backward RM cell is received in the ingress.
- 1 = Switch parameters are overlaid when a backward RM cell is received in the ingress.

IFOE—Ingress FRM Overlay Enable

This bit determines whether the MC92501 overlays the ROF—RM Overlay field on the switch parameters for ingress forward RM cells.

- 0 = Switch parameters are not overlaid when a forward RM cell is received in the ingress.
- 1 = Switch parameters are overlaid when a forward RM cell is received in the ingress.

ROL—RM Overlay Location

This field contains the number of the switch parameters byte which should be overlaid.

ROM—RM Overlay Mask

This field contains the byte mask which serves for overlaying the ROF—RM Overlay field over the ingress switch parameters byte.

ROF—RM Overlay

This field contains the byte which is overlaid on the ingress switch parameters byte. Each bit in this field is overlaid on the corresponding bit in the ingress switch parameters only if it is enabled by the corresponding bit in the ROM—RM Overlay Mask field.

11.4.13. CLP Transparency Overlay Register (CTOR)

This register contains the location of the IOCLP—Ingress Overhead CLP bit in the ingress switch parameters. See Section 6 for details. The register has the following structure:

31	30	29	28	27	26	25	24	23	22	21	20	19	18	17	16
0	0	0	0	0	0	0	0	0	0	0	0	0	0	0	0
15	14	13	12	11	10	9	8	7	6	5	4	3	2	1	0
0	0	0	0	0	0	0	0	0	OCBI			OCBL			

OCBL—IOCLP Byte Location

This field contains the byte number within the switch parameter word on which the IOCLP—Ingress Overhead CLP bit is located. The most significant byte is number 0, and the least significant byte is number 3.

OCBI—IOCLP Bit Location

This field contains the number of the IOCLP—Ingress Overhead CLP bit within the byte specified by the OCBL—IOCLP Byte Location field. The most significant bit is number 7, and the least significant bit is number 0.

11.4.14. Context Parameters Extension Table Pointer Register (CPETP)

This register contains the pointer to the first word of the Context Parameters Extension Table. The pointer is in units of 256 bytes.

31	30	29	28	27	26	25	24	23	22	21	20	19	18	17	16	15	14	13	12	11	10	9	8	7	6	5	4	3	2	1	0
0				CEPTP														0													

11.4.15. Egress Overhead Manipulation Register (EGOMR)

This register contains fields for manipulating egress overhead fields. See Section 9 for details.

31	30	29	28	27	26	25	24	23	22	21	20	19	18	17	16
0	0	0	0	0	0	0	0	0	0	0	0	0	0	0	0
15	14	13	12	11	10	9	8	7	6	5	4	3	2	1	0
0	0	0	0	0	0	0	0	ECMS		ECTS		ECES			

ECMS— Egress Cell Processing Block M Bit Source

This field contains the source for the M bit which is used by the egress cell processing block.

- 00 = The M bit used by the egress cell processing block is taken from the M bit which is extracted from the switch cell data structure.
- 01 = The M bit used by the egress cell processing block is taken from the logical NOT of the M bit which is extracted from the switch cell data structure.
- 10 = The M bit used by the egress cell processing block is 0.
- 11 = The M bit used by the egress cell processing block is 1.

ECTS— Egress Cell Processing Block MTTTS Size

This field contains the size of the MTTTS field which is used by the egress cell processing block.

- 0 = The MTTTS field which is used by the egress cell processing block is the MTTTS field, which is extracted from the switch cell data structure.
- 1 = The MTTTS field which is used by the egress cell processing block is the least significant bit of the MTTTS field, which is extracted from the switch cell data structure.
- 2 = The MTTTS field which is used by the egress cell processing block is the two least significant bits of the MTTTS field, which are extracted from the switch cell data structure.
- 3 = The MTTTS field which is used by the egress cell processing block is the three least significant bits of the MTTTS field, which are extracted from the switch cell data structure.

ECES— Egress Cell Processing Block ECI Size

This field contains the size of the ECI field which is used by the egress cell processing block.

- 0 = The ECI field which is used by the egress cell processing block is the ECI field, which is extracted from the switch cell data structure.
- 1 = Reserved
- 2 = Reserved
- 3 = Reserved
- 4 = Reserved
- 5 = Reserved
- 6 = The ECI field which is used by the egress cell processing block is the six least significant bits of the ECI field, which are extracted from the switch cell data structure.
- 7 = The ECI field which is used by the egress cell processing block is the seven least significant bits of the ECI field, which are extracted from the switch cell data structure.
- 8 = The ECI field which is used by the egress cell processing block is the eight least significant bits of the ECI field, which are extracted from the switch cell data structure.
- 9 = The ECI field which is used by the egress cell processing block is the nine least significant bits of the ECI field, which are extracted from the switch cell data structure.
- 10 = The ECI field which is used by the egress cell processing block is the 10 least significant bits of the ECI field, which are extracted from the switch cell data structure.
- 11 = The ECI field which is used by the egress cell processing block is the 11 least significant bits of the ECI field, which are extracted from the switch cell data structure.
- 12 = The ECI field which is used by the egress cell processing block is the 12 least significant bits of the ECI field, which are extracted from the switch cell data structure.
- 13 = The ECI field which is used by the egress cell processing block is the 13 least significant bits of the ECI field, which are extracted from the switch cell data structure.
- 14 = The ECI field which is used by the egress cell processing block is the 14 least significant bits of the ECI field, which are extracted from the switch cell data structure.
- 15 = The ECI field which is used by the egress cell processing block is the 15 least significant bits of the ECI field, which are extracted from the switch cell data structure.

SECTION 12. EXTERNAL MEMORY DESCRIPTION

The following table has been added.

12.1. Context Parameters Extension Table

Each context Parameters Extension Table record contains one word, the Common Parameters Extension Word.

12.1.1. Common Parameters Extension Word

31	30	29	28	27	26	25	24	23	22	21	20	19	18	17	16	
BKPT[21:12]											0	0	CIFS	CEFS	ECTE	CEME
15	14	13	12	11	10	9	8	7	6	5	4	3	2	1	0	
0	PDV			0	0	EREF	0	ISDM		UOM		0	ICTV	ICTE	CIME	

BKPT[21:12]—Bucket Pointer[21:12]

When VPAP-VP on all connections, this field contains bits 21 to 12 of the bucket point. When VPAP-VP on all connections is reset, this field is reserved and should be 0.

CIFS—Connection Ingress Flow Status

The MC92501 copies the IFS—Overhead Ingress Flow Status bit to this bit. This bit is used by the ingress processing block for ABR cell marking. This bit is therefore intended for the MC92501’s internal use. See Section 5.4.1 for details.

CEFS—Connection Egress Flow Status

The MC92501 copies the EFS—Overhead Egress Flow Status bit to this bit. This bit is used by the ingress processing block for ABR cell marking. This bit is therefore intended for the MC92501’s internal use. See Section 5.4.2 for details.

ECTE—Egress CLP Transparency Enable

This bit determines whether CLP should be copied from the EOCLP—Egress Overhead CLP bit in the cell’s overhead bit to the cell header. See Section 6 for details.

- 0 = CLP should not be copied from the switch overhead to the cell header.
- 1 = CLP should be copied from the switch overhead to the cell header.

CEME—Connection Egress Marking Enable

This bit enables marking of cells which are received in the egress. See Section 5.4.2.

- 0 = Marking of cells which are received in the egress is disabled.
- 1 = Marking of cells which are received in the egress is enabled.

IPDV—Ingress Packet Discard Variables

This field is accessed only by the MC92501.

EREF—Egress Reset EFCI

This bit determines if PTI[1] of an egress cell is to be reset.

- 0 = PTI[1] of an egress cell is not reset.
- 1 = PTI[1] of an egress cell is to be reset.

ISDM—Ingress Selective Discard Operation Mode

This field determines the selective discard operation mode. See Section 3.

- 00 = No selective discard.
- 01 = Reserved.
- 10 = Selective discard on CLP = 1 flow.
- 11 = Selective discard on CLP = 0+1 flow.

UOM—UPC Operation Mode

This field determines the UPC operation mode.

- 00 = Cell-based UPC
- 01 = Partial Packet Discard (PPD). See Section 3.3 for details.
- 10 = Early Packet Discard (EPD). See Section 3.4 for details.
- 11 = Limited EPD. See Section 3.5 for details.

ICTV—Ingress CLP Transparency Value

This bit determines the value that should be written to a cell's header if the ICTE—Ingress CLP Transparency Enable bit is set. See Section 6 for details.

ICTE—Ingress CLP Transparency Enable

This bit determines whether CLP should be copied to the IOCLP—Ingress Overhead CLP bit and whether the ICTV—Ingress CLP Transparency Value bit should be written to the cell header CLP. See Section 6 for details.

0 = The ingress header CLP bit is not touched.

1 = CLP should be copied from the cell header to the ingress switch parameters. The ICTV—Ingress CLP Transparency Value bit should be written to the cell header CLP.

CIME—Connection Ingress Marking Enable

This bit enables marking of cells which are received in the ingress. See Section 5.4.3 for details.

0 = Marking of cells which are received in the ingress is disabled.

1 = Marking of cells which are received in the ingress is enabled.

12.2. CONTEXT PARAMETERS TABLE

Some bits have been added, and some bit definitions have been updated in the Egress Parameters Word and the Ingress Parameters Word. These bits are in bold.

12.2.1. Egress Parameters

31	30	29	28	27	26	25	24	23	22	21	20	19	18	17	16
ECIV	EVPC	EEOT	ESOT	ESOO	Rsvd	ECAS	ECRD	ECOT	ECAO	ECSF	ECEF	ECSB	ECEB	Rsvd	Rsvd
15	14	13	12	11	10	9	8	7	6	5	4	3	2	1	0
ESAI	ESRD	ESCS	ESCE	ECA	ERA	EP6C	EP7C	EVRE	EP6R	EP7R	Reserved				

EP6R—Egress PTI 6 Remove

When this bit is set and the CRRP-VC RM cell removal point is set, then an egress cell whose PTI = 6 is removed, provided that the connection is a VC connection.

EP7R—Egress PTI 7 Remove

When this bit is set and the RRP-RM cell removal point is set, then an egress cell whose PTI = 7 is removed, provided that the connection is a VC connection.

EEOT—Egress End-to-End OAM Termination

When this bit is set, the egress flow is treated as the terminating point of the OAM end-to-end cell flow for the connection. Additionally, if the CRRP—VC RM Cell Removal Point bit is reset, then cells with PTI = 6 or 7 are removed at this point.

12.2.2. Ingress Parameters:

31	30	29	28	27	26	25	24	23	22	21	20	19	18	17	16
ICIV	IVPC	IEOT	ISOT	ISOO	Rsvd	ICAS	ICRD	ICOT	ICAO	ICSF	ICEF	ICSB	ICEB	Rsvd	Rsvd
15	14	13	12	11	10	9	8	7	6	5	4	3	2	1	0
ISAI	ISRD	ISCS	ISCE	ICA	IRA	IP6C	IP7C	IVRE	IP6R	IP7R	Reserved				UDT

IP6R—Ingress PTI 6 Remove

When this bit is set and the RRP-RM Cell Removal Point is set, then an ingress cell whose PTI = 6 is removed, provided that the connection is a VC connection.

IP7R—Ingress PTI 7 Remove

When this bit is set and the RRP-RM Cell Removal Point is set, then an ingress cell whose PTI = 7 is removed, provided that the connection is a VC connection.

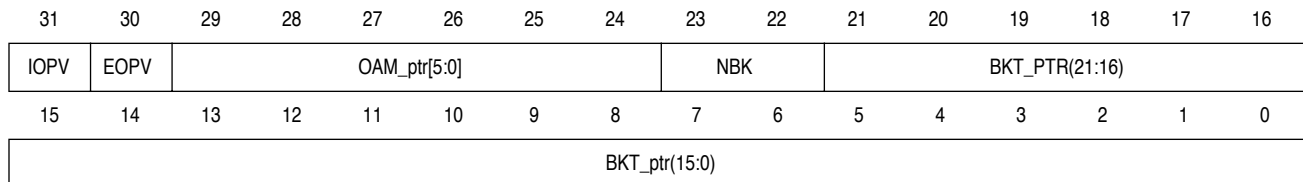
IEOT—Ingress End-to-End OAM Termination

When this bit is set, the ingress flow is treated as the terminating point of the OAM end-to-end cell flow for the connection. Additionally, if the CRRP—VC RM Cell Removal Point bit is reset, then cells which belong to a VC connection and whose PTI = 6 or 7 are removed at this point.

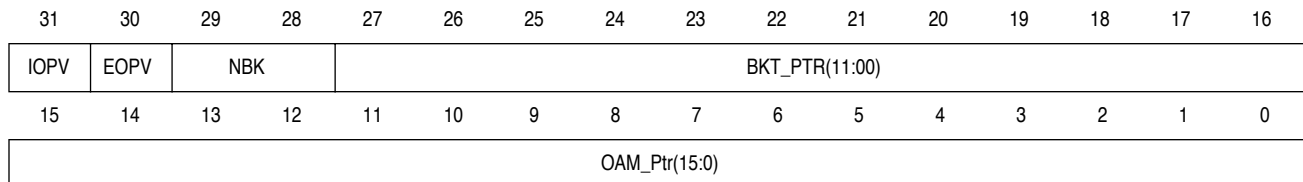
12.2.3. Common Parameters

The size and the location of some of the fields is changed according to PMAC-PM on all connections.

When VPAP-VP on all connections is reset, the structure of the common parameters is the structure of the MC92500.



When PMAC-PM on all connections is set, the structure is as follows:



SECTION 13. DATA STRUCTURES

This section presents the data structures which were added or updated.

13.1. General Fields

13.1.1. Reason

The definition of Reason 01001 is changed: "A CRC error was detected" instead of "A CRC error was detected (OAM cells only)".

SECTION 14. SIGNAL DESCRIPTION

The following are the pins which have been added or whose definition has been changed.

14.1. Microprocessor Signals (MP)

The following signal definitions have been updated.

The MC92500 $\overline{\text{MDTACK}}$ signal is renamed to **MP Data Acknowledge0 (MDTACK0)** and the **MP Data Acknowledge1 (MDTACK1)** signal has been added.

MP Data Acknowledge0 (MDTACK0),

MP Data Acknowledge1 (MDTACK1)

$\overline{\text{MDTACK0}}$ and $\overline{\text{MDTACK1}}$ are three-state output signals used to indicate when the data on MDATA is valid during a read access from the MC92501. At the end of each access, these signals are actively pulled up and then released. The user may program the MC92501 not to drive these signals during certain types of accesses. See Section 11.4.6 for details. These signals are active low and the outputs are asynchronous to the MCLK.

MP Cell Request Options

$\overline{\text{MREQ0}}$, $\overline{\text{MREQ1}}$, and $\overline{\text{MREQ2}}$ signals replace $\overline{\text{MCIREQ}}$, $\overline{\text{MCOREQ}}$, and $\overline{\text{EMMREQ}}$, respectively. Each of the $\overline{\text{MREQ[n]}}$ signals are programmable to one of the following options:

1. MP Cell In Request

$\overline{\text{MREQ[n]}}$ is an output signal that can be used by an external DMA device as a control line indicating when to start a new cell insertion cycle into the MC92501. It is asserted whenever the cell insertion register array is available to be written. This signal is active low, and the output is on the falling edge of MCLK.

2. MP Cell Out Request

$\overline{\text{MREQ[n]}}$ is an output signal that may be used by an external DMA device as a control line indicating when to start a new cell extraction cycle from the MC92501. It is asserted whenever the cell extraction register array is available to be read. The microprocessor control register (MPCTLR) contains the number of maintenance accesses performed in a single maintenance slot. It is active low, and the output is on the falling edge of MCLK.

3. External Memory Maintenance Request

$\overline{\text{MREQ[n]}}$ is an output signal that can be asserted a programmable number of clock cycles before the start of an external memory maintenance cycle (see Section 11.4.7). It is negated after a programmable number of maintenance accesses have been performed. It is active low, and the output is on the falling edge of MCLK.

MP Request 0 ($\overline{\text{MREQ0}}$)

This output signal can be programmed to one of the above three options. Its default value is the first option: MP Cell In Request ($\overline{\text{MCIREQ}}$).

See Section 8.1.2 and Section 11.4.6 for details.

MP Request 1 ($\overline{\text{MREQ1}}$)

This output signal can be programmed to one of the above three options. Its default value is the second option: MP Cell Out Request ($\overline{\text{MCOREQ}}$).

See Section 8.1.2 and Section 11.4.6 for details.

MP Request 2 ($\overline{\text{MREQ2}}$)

This output signal can be programmed to one of the above three options. Its default value is the third option: External Memory Maintenance Request ($\overline{\text{EMMREQ}}$).

See Section 8.1.2 and Section 11.4.6 for details.

NOTE

The default values of $\overline{\text{MREQ0}}$, $\overline{\text{MREQ1}}$, and $\overline{\text{MREQ2}}$ signals are $\overline{\text{MCIREQ}}$, $\overline{\text{MCOREQ}}$, and $\overline{\text{EMMREQ}}$, respectively. These default values make the MC92501 backwards-compatible with the MC92500.

MP Word Write Enable High / Address 1 ($\overline{\text{MWSH/A1}}$)

This input signal can be programmed by the WSSM—Word Select Signals Mode bit to one of the following modes:

1. Write-Enable Mode: This signal indicates that the high word is being written. During a maintenance write access, the value detected on $\overline{\text{MWSH/A1}}$ is driven on the appropriate $\overline{\text{EMBSH}}$ signal. During the read access, the $\overline{\text{EMBSH}}$ signal is always asserted. This signal is active low.

2. Add1-Size Mode: This signal serves as address 1 during a maintenance write access. During a read access, this signal is ignored.

This signal is sampled by the MC92501 on the falling edge of MCLK.

See Section 8.1.3 and Section 11.4.6 for details.

MP Word Write Enable Low / SIZE ($\overline{\text{MWSL/SIZE}}$)

This input signal can be programmed by the WSSM—Word Select Signals Mode bit to one of the following modes:

1. Write-Enable Mode: This signal indicates that the low word is being written. During a maintenance write access, the value detected on $\overline{\text{MWSL/SIZE}}$ is driven on the appropriate $\overline{\text{EMBSL}}$ signal. During the read access, the $\overline{\text{EMBSL}}$ signal is always asserted. This signal is active low.

2. Add1-Size Mode: This signal indicates the size of the maintenance write access which is either 32-bit or 16-bit access. During a read access, this signal is ignored and the access width is 32 bits.

This signal is sampled by the MC92501 on the falling edge of MCLK.

See Section 8.1.3 and Section 11.4.6 for details.

NOTE

All cell extraction register, cell insertion register, and general register accesses are long-word (32-bit) accesses, so both $\overline{\text{MWSH/A1}}$ and $\overline{\text{MWSL/SIZE}}$ should be asserted low for these write accesses when write-enable mode is selected.

14.2. Ingress PHY Signals

The definition of RXPHYID0-3 has been updated. The RXADDR4 signal has been added.

Receive PHY ID 0-3/Receive Address 0-3 (RXPHYID0–RXPHYID3/RXADDR0–RXADDR3)

This bus has two modes depending on the IUM—Ingress UTOPIA Mode bit of the Ingress PHY Configuration Register (IPHCR):

- In UTOPIA Level 1 — The **RXPHYID0–RXPHYID3** input bus indicates the ID number of the PHY device currently transferring data to the MC92501. If only a single PHY device is supported, this bus should be tied low. This bus is sampled along with the first octet of each cell.
- In UTOPIA Level 2 — The **RXADDR0–RXADDR3** output bus that indicates the four least significant bits of the ID number of the PHY device which is being polled or selected by the MC92501. See Section 10 for details.

Receive Address 4 (RXADDR4)

This signal is an output signal that indicates the most significant bit of the ID number of the PHY device which is being polled or selected by the MC92501. See Section 10 for details.

14.3. Egress PHY Signals

The $\overline{\text{TXPHYID0-3}}$ definition has been updated and renamed to TXPH. **TXPHYIDV/TXADDR4** signal replaces $\overline{\text{TXPHYIDV}}$ signal of the MC92500.

Transmit PHY ID 0-3 / Transmit Address 0-3 (TXPHYID0–TXPHYID3/TXADDR0–TXADDR3)

This bus has two modes depending on the EUM—Egress UTOPIA Mode bit:

- In UTOPIA Level 1 — The **TXPHYID0–TXPHYID3** output bus indicates the ID number of the PHY device to which either the current cell or the next cell is directed. The functionality is controlled by the MC92500 General Configuration Register (GCR).
- In UTOPIA Level 2 — The **TXADDR0–TXADDR3** output bus indicates the four less significant bits of the ID number of the PHY device which is being polled or selected by the MC92501. See Section 10 for details.

Transmit Next PHY ID Valid/Transmit Address 4 (TXPHYIDV/TXADDR4)

This bit has two modes depending on the EUM—Egress UTOPIA Mode bit:

- In UTOPIA Level 1 — The $\overline{\text{TXPHYIDV}}$ output signal, when low, indicates that $\overline{\text{TXPHYID}}$ (when configured as the next cell's ID) is valid. If $\overline{\text{TXPHYID}}$ is configured to refer to the current cell, $\overline{\text{TXPHYIDV}}$ is not used.
- In UTOPIA Level 2 — The **TXADDR4** output signal indicates the most significant bit of the ID number of the PHY device which is being polled or selected by the MC92501. See Section 10 for details.

SECTION 15. TEST OPERATION

15.1. Device Identification Register

The code for the MC92501 is changed to: 0100_0001_1100_0011_1010_0000_0001_1101.

15.2. Boundary Scan Register

Table 6. Boundary Scan Bit Definition

Signal Name	I/O Cell Type	System Mode	Scan Bit #		Output Enable
STXCLK	in	in	360		
STXCLAV	bidir	out	359	358	
STXSOC	bidir	in	357	356	
STXPRTY	bidir	in	355	354	
STXDATA7	bidir	in	353	352	
STXDATA6	bidir	in	351	350	
STXDATA5	bidir	in	349	348	
STXDATA4	bidir	in	347	346	
STXDATA3	bidir	in	345	344	
STXDATA2	bidir	in	343	342	
STXDATA1	bidir	in	341	340	
STXDATA0	bidir	in	339	338	
STXENB	bidir	in	337	336	
TXENB	bidir	out	335	334	
TXFULL	in	in	333		
TXCCLR	bidir	in	332	331	
TXPHYIDV	three-state	out	330		
TXPRTY	bidir	out	329	328	
TXSOC	bidir	out	327	326	
TXDATA7	bidir	out	325	324	
TXDATA6	bidir	out	323	322	
TXDATA5	bidir	out	321	320	
TXDATA4	bidir	out	319	318	
TXDATA3	bidir	out	317	316	
TXDATA2	bidir	out	315	314	
TXDATA1	bidir	out	313	312	
TXDATA0	bidir	out	311	310	
TXPHYID3	three-state	out	309		
TXPHYID2	three-state	out	308		
TXPHYID1	three-state	out	307		

Table 6. Boundary Scan Bit Definition

Signal Name	I/O Cell Type	System Mode	Scan Bit #		Output Enable
TXPHYID0	three-state	out	306		
MDATA31	bidir	bidir	305	304	enscan1
MDATA30	bidir	bidir	303	302	enscan1
MDATA29	bidir	bidir	301	300	enscan1
MDATA28	bidir	bidir	299	298	enscan1
MDATA27	bidir	bidir	297	296	enscan1
MDATA26	bidir	bidir	295	294	enscan1
MDATA25	bidir	bidir	293	292	enscan1
MDATA24	bidir	bidir	291	290	enscan1
MDATA23	bidir	bidir	289	288	enscan1
MDATA22	bidir	bidir	287	286	enscan1
MDATA21	bidir	bidir	285	284	enscan1
MDATA20	bidir	bidir	283	282	enscan1
MDATA19	bidir	bidir	281	280	enscan1
MDATA18	bidir	bidir	279	278	enscan1
MDATA17	bidir	bidir	277	276	enscan1
MDATA16	bidir	bidir	275	274	enscan1
MDATA15	bidir	bidir	273	272	enscan1
MDATA14	bidir	bidir	271	270	enscan1
MDATA13	bidir	bidir	269	268	enscan1
MDATA12	bidir	bidir	267	266	enscan1
MDATA11	bidir	bidir	265	264	enscan1
MDATA10	bidir	bidir	263	262	enscan1
MDATA9	bidir	bidir	261	260	enscan1
MDATA8	bidir	bidir	259	258	enscan1
MDATA7	bidir	bidir	257	256	enscan1
MDATA6	bidir	bidir	255	254	enscan1
MDATA5	bidir	bidir	253	252	enscan1
MDATA4	bidir	bidir	251	250	enscan1
MDATA3	bidir	bidir	249	248	enscan1
MDATA2	bidir	bidir	247	246	enscan1
MDATA1	bidir	bidir	245	244	enscan1
MDATA0	bidir	bidir	243	242	enscan1
MADD25	bidir	in	241	240	

Table 6. Boundary Scan Bit Definition

Signal Name	I/O Cell Type	System Mode	Scan Bit #		Output Enable
MADD24	bidir	in	239	238	
MADD23	bidir	in	237	236	
MADD22	bidir	in	235	234	
MADD21	bidir	in	233	232	
MADD20	bidir	in	231	230	
MADD19	bidir	in	229	228	
MADD18	bidir	in	227	226	
MADD17	bidir	in	225	224	
MADD16	bidir	in	223	222	
MADD15	bidir	in	221	220	
MADD14	bidir	in	219	218	
MADD13	bidir	in	217	216	
MADD12	bidir	in	215	214	
MADD11	bidir	in	213	212	
MADD10	bidir	in	211	210	
MADD9	bidir	in	209	208	
MADD8	bidir	in	207	206	
MADD7	bidir	in	205	204	
MADD6	bidir	in	203	202	
MADD5	bidir	in	201	200	
MADD4	bidir	in	199	198	
MADD3	bidir	in	197	196	
MADD2	bidir	in	195	194	
MSEL	in	in	193		
MREQ0	three-state	out	192		
MREQ1	three-state	out	191		
MDTACK0	three-state	three-state	190		enscan2
MINT	three-state	out	189		
MREQ2	three-state	out	188		
MCLK	in	in	187		
MWR	in	in	186		
MWSH	in	in	185		
MWSL	in	in	184		
MDS	in	in	183		

Table 6. Boundary Scan Bit Definition

Signal Name	I/O Cell Type	System Mode	Scan Bit #		Output Enable
SRXENB	in	in	182		
SRXDATA7	bidir	three-state	181	180	enscan4
SRXDATA6	bidir	three-state	179	178	enscan4
SRXDATA5	bidir	three-state	177	176	enscan4
SRXDATA4	bidir	three-state	175	174	enscan4
SRXDATA3	bidir	three-state	173	172	enscan4
SRXDATA2	bidir	three-state	171	170	enscan4
SRXDATA1	bidir	three-state	169	168	enscan4
SRXDATA0	bidir	three-state	167	166	enscan4
SRXCLK	in	in	165		enscan4
SRXCLAV	bidir	out	164	163	
SRXSOC	bidir	three-state	162	161	enscan4
SRXPRTY	bidir	three-state	160	159	enscan4
MDTACK1	three-state	three-state	158		enscan6
RXADDR4	three-state	three-state	157		enscan3
RXSOC	bidir	in	156	155	
RXENB	bidir	out	154	153	
RXEMPTY	bidir	in	152	151	
RXPHYID3	bidir	bidir	150	149	enscan3
RXPHYID2	bidir	bidir	148	147	enscan3
RXPHYID1	bidir	bidir	146	145	enscan3
RXPHYID0	bidir	bidir	144	143	enscan3
RXPRTY	bidir	in	142	141	
RXDATA7	bidir	in	140	139	
RXDATA6	bidir	in	138	137	
RXDATA5	bidir	in	136	135	
RXDATA4	bidir	in	134	133	
RXDATA3	bidir	in	132	131	
RXDATA2	bidir	in	130	129	
RXDATA1	bidir	in	128	127	
RXDATA0	bidir	in	126	125	
EMDATA31	bidir	bidir	124	123	enscan5
EMDATA30	bidir	bidir	122	121	enscan5
EMDATA29	bidir	bidir	120	119	enscan5

Table 6. Boundary Scan Bit Definition

Signal Name	I/O Cell Type	System Mode	Scan Bit #		Output Enable
EMDATA28	bidir	bidir	118	117	enscan5
EMDATA27	bidir	bidir	116	115	enscan5
EMDATA26	bidir	bidir	114	113	enscan5
EMDATA25	bidir	bidir	112	111	enscan5
EMDATA24	bidir	bidir	110	109	enscan5
EMDATA23	bidir	bidir	108	107	enscan5
EMDATA22	bidir	bidir	106	105	enscan5
EMDATA21	bidir	bidir	104	103	enscan5
EMDATA20	bidir	bidir	102	101	enscan5
EMDATA19	bidir	bidir	100	99	enscan5
EACEN	three-state	out	98		
EMWR	three-state	out	97		
EMDATA18	bidir	bidir	96	95	enscan5
EMDATA17	bidir	bidir	94	93	enscan5
EMDATA16	bidir	bidir	92	91	enscan5
EMDATA15	bidir	bidir	90	89	enscan5
EMDATA14	bidir	bidir	88	87	enscan5
EMDATA13	bidir	bidir	86	85	enscan5
EMDATA12	bidir	bidir	84	83	enscan5
EMDATA11	bidir	bidir	82	81	enscan5
EMDATA10	bidir	bidir	80	79	enscan5
EMDATA9	bidir	bidir	78	77	enscan5
EMDATA8	bidir	bidir	76	75	enscan5
EMDATA7	bidir	bidir	74	73	enscan5
EMDATA6	bidir	bidir	72	71	enscan5
EMDATA5	bidir	bidir	70	69	enscan5
EMDATA4	bidir	bidir	68	67	enscan5
EMDATA3	bidir	bidir	66	65	enscan5
EMDATA2	bidir	bidir	64	63	enscan5
EMDATA1	bidir	bidir	62	61	enscan5
EMDATA0	bidir	bidir	60	59	enscan5
EMADD23	bidir	out	58	57	
EMADD22	bidir	out	56	55	
EMADD21	bidir	out	54	53	

Table 6. Boundary Scan Bit Definition

Signal Name	I/O Cell Type	System Mode	Scan Bit #		Output Enable
EMADD20	bidir	out	52	51	
EMADD19	bidir	out	50	49	
EMADD18	bidir	out	48	47	
EMADD17	bidir	out	46	45	
EMADD16	bidir	out	44	43	
EMADD15	bidir	out	42	41	
EMADD14	bidir	out	40	39	
EMADD13	bidir	out	38	37	
EMADD12	bidir	out	36	35	
EMADD11	bidir	out	34	33	
EMADD10	bidir	out	32	31	
EMADD9	bidir	out	30	29	
EMADD8	bidir	out	28	27	
EMADD7	bidir	out	26	25	
EMADD6	bidir	out	24	23	
EMADD5	bidir	out	22	21	
EMADD4	bidir	out	20	19	
EMADD3	bidir	out	18	17	
EMADD2	bidir	out	16	15	
EMBSH0	three-state	out	14		
EMBSH1	three-state	out	13		
EMBSH2	three-state	out	12		
EMBSH3	three-state	out	11		
EMBSL0	three-state	out	10		
EMBSL1	three-state	out	9		
EMBSL2	three-state	out	8		
EMBSL3	three-state	out	7		
ARST	in	in	6		
enscan1	(core macro)		5		
enscan2	(core macro)		4		
enscan3	(core macro)		3		
enscan4	(core macro)		2		
enscan5	(core macro)		1		
enscan6	(core macro)		0		

SECTION 16. ELECTRICAL CHARACTERISTICS

16.1. Electrical Specification for Clocks and Interfaces

Electrical specifications for the clocks, microprocessor interface timing, PHY interface timing, switch interface timing, and external memory interface timing are identical to the MC92500. Please refer to document MC92500/D for specific values.

16.2. DC Electrical Characteristics

ABSOLUTE MAXIMUM RATINGS (See Note)

Symbol	Parameter	Value/Value Range	Unit
V_{DD}	DC Supply Voltage	- 0.5 to 3.8	V
V_{in}^3	DC Input Voltage (5 V Tolerant)	- 0.5 to 5.8	V
$V_{out}^{3,4}$	DC Output Voltage	- 0.5 to $V_{DD} + 0.5$	V
I	DC Current Drain per Pin, Any Single Input or Output	± 50	mA
I	DC Current Drain V_{DD} and V_{SS} Pins	± 100	mA
T_{stg}	Storage Temperature	- 65 to 150	°C
T_L	Lead Temperature (10-Second Soldering)	300	°C

This device contains protection circuitry to guard against damage due to high static voltages or electric fields. However, precautions must be taken to avoid applications of any voltage higher than maximum rated voltages to this high-impedance circuit. For proper operation it is recommended that V_{in} and V_{out} be constrained to $0 \leq (V_{in}, V_{out}) \leq 5.5$ V.

Unused outputs must always be tied to an appropriate logic voltage level (e.g., either V_{SS} or V_{DD}). Unused outputs must be left open.

NOTE: Maximum ratings are those values beyond which damage to the device may occur.

RECOMMENDED OPERATING CONDITIONS (To Guarantee Functionality)

Parameter	Symbol	Min	Max	Unit
DC Supply Voltage, $V_{DD} = 3.3$ V (Nominal)	V_{DD}	3.0	3.6	V
Input Voltage (5 V Tolerant)	V_{in}^4	0	5.5	V
Commercial Operating Temperature	T_A	0	70	°C

NOTES:

- All parameters are characterized for dc conditions after thermal equilibrium has been established.
- Unused inputs must always be tied to an appropriate logic voltage level (e.g., either V_{SS} or V_{DD}).
- All input, bidirectional, and MDTACK are 5 V tolerant.
- SRXDATAx, SRXSOC, SRXPRTY, TDO three-state outputs must be constrained to $0 \leq V_{out} < V_{DD}$ in High-Z state.

PRELIMINARY DC ELECTRICAL CHARACTERISTICS ($T_A = 0$ to 70°C) $V_{DD} = 3.3$ V ± 0.3 V

Symbol	Parameter	Condition	Min	Max	Unit
V_{IH}	TTL Inputs (5 V Tolerant)		2.2	5.5	V
V_{IL}	TTL Inputs (5 V Tolerant)		- 0.3	0.8	V
I_{in}	Input Leakage Current, No Pull Resistor	$V_{in} = V_{DD}$ or V_{SS}	- 5	5	μA
	With Pullup Resistor*		- 50	- 5	
	With Pulldown Resistor*		5	50	
I_{OH}	Output High Current, LVTTTL Output Type Outputs: EACEN, EMWR, EMADDx, EMBShx, EMBSLx	$V_{DD} = \text{Min},$ $V_{OH} \text{ Min} = 0.8 V_{DD}$	- 24	—	mA
	Output High Current, LVTTTL Output Type Outputs: All Other Outputs		- 4	—	
I_{OL}	Output Low Current, LVTTTL Output Type Outputs: EACEN, EMWR, EMADDx, EMBShx, EMBSLx	$V_{DD} = \text{Min},$ $V_{OL} \text{ Max} = 0.4$ V	24	—	mA
	Output Low Current, LVTTTL Output Type Outputs: All Other Outputs		4	—	
I_{OZ}	Output Leakage Current, Three-State Output	Output = High Impedence, $V_{out} = V_{DD}$ or V_{SS}	- 10	10	μA
I_{DDQ}	Max Quiescent Supply Current	$I_{out} = 0$ mA $V_{in} = V_{DD}$ or V_{SS}	TBD	TBD	mA
I_{DD}	Max Dynamic Supply Current	Nominal Load Capacitance, ACLK = 25.6 MHz, MCLK = 33 MHz	TBD	TBD	mA
C_i	Input Capacitance (TTL)			8	pF

*Inputs may be modified to include pull resistors at any time.

SECTION 17. PACKAGING INFORMATION

17.1. Additional Pins

The following pins have been added: D14 — MP Data Acknowledge0 (MDTACK1), and C15 — Receive Address 4 (RXADDR4). These pins do not appear on the MC92500.

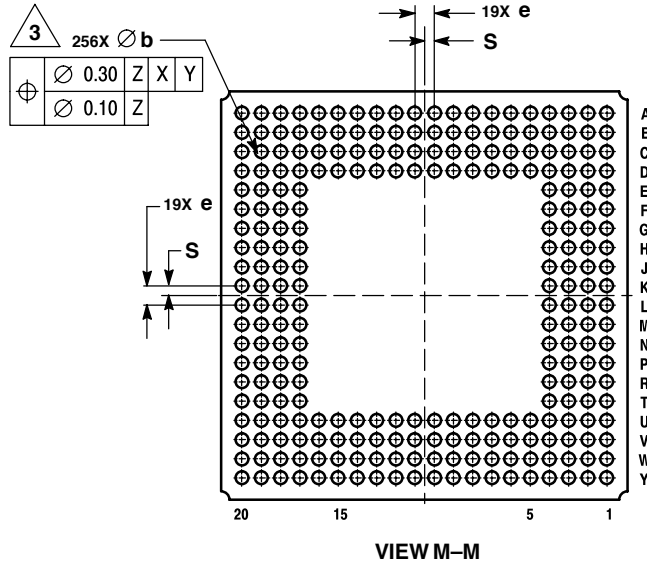
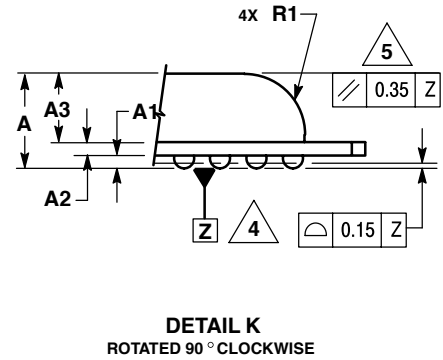
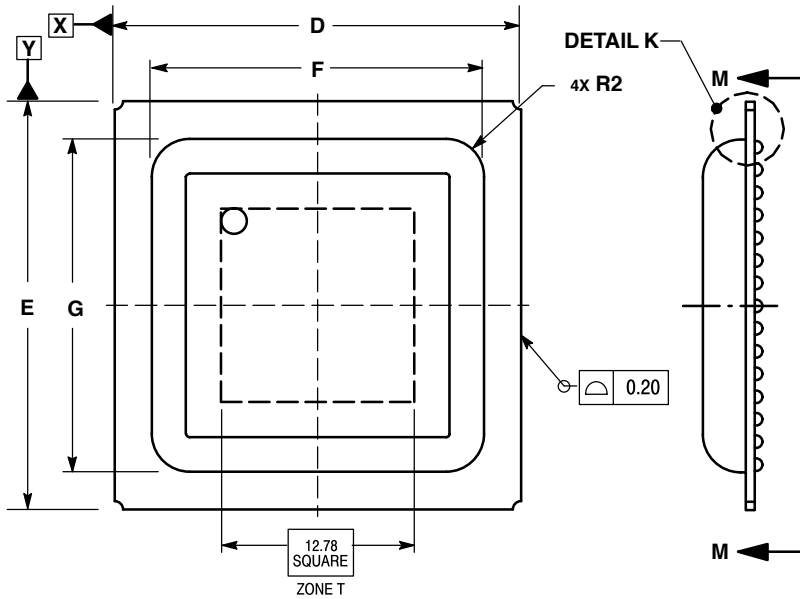
17.2. Pin Assignment

Package Pin	Signal Name	Package Pin	Signal Name	Package Pin	Signal Name	Package Pin	Signal Name	Package Pin	Signal Name	Package Pin	Signal Name
C3	TESTOUT	A8	MSEL	A14	SRXDATA:0	E17	RXDATA:3	J19	EMDATA:18	R19	EMADD:23
A2	ACLK	D9	MREQ:0	B14	SRXCLK	C20	RXDATA:2	J20	EMDATA:17	P17	EMADD:22
B2	TESTSEL	C9	MREQ:1	C14	SRXCLAV	D19	RXDATA:1	K17	EMDATA:16	R18	EMADD:21
D5	MADD:17	B9	MDTACK0	A15	SRXSOC	E18	RXDATA:0	K18	EMDATA:15	T20	EMADD:20
A3	MADD:16	A9	MINT	B15	SRXPRTY	D20	EMDATA:31	K19	EMDATA:14	T19	EMADD:19
B4	MADD:15	D10	MREQ:2	D14	MDTACK1	E19	EMDATA:30	K20	EMDATA:13	U20	EMADD:18
C5	MADD:14	C10	MCLK	C15	RXADDR4	F18	EMDATA:29	L20	EMDATA:12	V20	EMADD:17
A4	MADD:13	B10	MWR	A16	RXSOC	G17	EMDATA:28	L18	EMDATA:11	T17	EMADD:16
B5	MADD:12	A10	MWSH/A1	B16	RXENB	E20	EMDATA:27	L19	EMDATA:10	U18	EMADD:15
C6	MADD:11	A11	MWSL/SIZE	C16	RXEMPTY	F19	EMDATA:26	M20	EMDATA:9	U19	EMADD:14
D7	MADD:10	C11	MDS	A17	RXPHYID:3	G18	EMDATA:25	M19	EMDATA:8	V18	EMADD:13
A5	MADD:9	B11	SRXENB	A18	RXPHYID:2	F20	EMDATA:24	M18	EMDATA:7	Y19	EMADD:12
B6	MADD:8	A12	SRXDATA:7	D16	RXPHYID:1	G19	EMDATA:23	M17	EMDATA:6	W18	EMADD:11
C7	MADD:7	B12	SRXDATA:6	C17	RXPHYID:0	G20	EMDATA:22	N20	EMDATA:5	V17	EMADD:10
A6	MADD:6	C12	SRXDATA:5	B17	RXPRTY	H18	EMDATA:21	N19	EMDATA:4	U16	EMADD:9
B7	MADD:5	D12	SRXDATA:4	C18	RXDATA:7	H19	EMDATA:20	N18	EMDATA:3	Y18	EMADD:8
A7	MADD:4	A13	SRXDATA:3	B20	RXDATA:6	H20	EMDATA:19	P20	EMDATA:2	W17	EMADD:7
C8	MADD:3	B13	SRXDATA:2	C19	RXDATA:5	J17	EACEN	P19	EMDATA:1	Y17	EMADD:6
B8	MADD:2	C13	SRXDATA:1	D18	RXDATA:4	J18	EMWR	R20	EMDATA:0	W16	EMADD:5
V15	EMADD:4	W10	TDO	U5	TXPRTY	P1	MDATA:25	H2	MDATA:5		
U14	EMADD:3	Y9	TDI	V4	TXSOC	N3	MDATA:24	H3	MDATA:4		
Y16	EMADD:2	W9	ENID	W4	TXDATA:7	N2	MDATA:23	G1	MDATA:3		
W15	N/C	V9	STXCLK	V3	TXDATA:6	N1	MDATA:22	G2	MDATA:2		
Y15	EMBSH:0	U9	STXCLAV	W1	TXDATA:5	M4	MDATA:21	G3	MDATA:1		
W14	EMBSH:1	Y8	STXSOC	V2	TXDATA:4	M3	MDATA:20	F1	MDATA:0		
Y14	EMBSH:2	W8	STXPRTY	U3	TXDATA:3	M2	MDATA:19	F2	MADD:25		
V13	EMBSH:3	V8	STXDATA:7	T4	TXDATA:2	M1	MDATA:18	G4	MADD:24		
W13	N/C	Y7	STXDATA:6	V1	TXDATA:1	L4	MDATA:17	F3	MADD:23		
Y13	EMBSL:0	W7	STXDATA:5	U2	TXDATA:0	L3	MDATA:16	E1	MADD:22		
U12	EMBSL:1	V7	STXDATA:4	T3	TXPHYID:3	L2	MDATA:15	E2	MADD:21		
V12	EMBSL:2	Y6	STXDATA:3	U1	TXPHYID:2	L1	MDATA:14	E3	MADD:20		
W12	EMBSL:3	W6	STXDATA:2	T2	TXPHYID:1	K1	MDATA:13	D1	MADD:19		
Y12	N/C	U7	STXDATA:1	R3	TXPHYID:0	K3	MDATA:12	C1	MADD:18		
U11	AMODE:1	V6	STXDATA:0	P4	MDATA:31	K2	MDATA:11	D2	VCOCTL		
V11	AMODE:0	Y5	STXENB	T1	MDATA:30	J1	MDATA:10				
W11	ARST	W5	TXENB	R2	MDATA:29	J2	MDATA:9				
Y11	TCK	V5	TXFULL	P3	MDATA:28	J3	MDATA:8				
Y10	TRST	Y4	TXCCLR	R1	MDATA:27	J4	MDATA:7				
V10	TMS	Y3	TXPHYIDV/ TXADDR4	P2	MDATA:26	H1	MDATA:6				

17.3. 256-Lead GTBGA Outline

PACKAGE DIMENSIONS

GLOB-TOP BALL GRID ARRAY (GTBGA) PACKAGE
GC SUFFIX
CASE 1208-01




NOTES:

1. DIMENSIONS ARE IN MILLIMETERS.
2. INTERPRET DIMENSIONS AND TOLERANCES PER ASME Y14.5M, 1994.
3. DIMENSION b IS MEASURED AT THE MAXIMUM SOLDER BALL DIAMETER, PARALLEL TO DATUM PLANE Z.
4. DATUM Z (SEATING PLANE) IS DEFINED BY THE SPHERICAL CROWNS OF THE SOLDER BALLS.
5. PARALLELISM REQUIREMENT APPLIES TO ZONE T ONLY. PARALLELISM REQUIREMENT SHALL EXCLUDE ANY EFFECT OF LASER MARK ON TOP SURFACE OF PACKAGE.

MILLIMETERS		
DIM	MIN	MAX
A	---	2.83
A1	0.50	0.70
A2	0.56 REF	
A3	1.15	1.49
b	0.65	0.85
D	27.00 BSC	
E	27.00 BSC	
e	1.27 BSC	
F	17.78	24.00
G	17.78	24.00
R1	2.50 REF	
R2	0.40	2.50
R1	0.635 BSC	

This page intentionally left blank.

This page intentionally left blank.

Motorola reserves the right to make changes without further notice to any products herein. Motorola makes no warranty, representation or guarantee regarding the suitability of its products for any particular purpose, nor does Motorola assume any liability arising out of the application or use of any product or circuit, and specifically disclaims any and all liability, including without limitation consequential or incidental damages. "Typical" parameters can and do vary in different applications and actual performance may vary over time. All operating parameters, including "Typicals", must be validated for each customer application by customer's technical experts. Motorola does not convey any license under its patent rights nor the rights of others. Motorola products are not designed, intended, or authorized for use as components in systems intended for surgical implant into the body, or other applications intended to support or sustain life, or for any other application in which the failure of the Motorola product could create a situation where personal injury or death may occur. Should Buyer purchase or use Motorola products for any such unintended or unauthorized application, Buyer shall indemnify and hold Motorola and its officers, employees, subsidiaries, affiliates, and distributors harmless against all claims, costs, damages, and expenses, and reasonable attorney fees arising out of, directly or indirectly, any claim of personal injury or death associated with such unintended or unauthorized use, even if such claim alleges that Motorola was negligent regarding the design or manufacture of the part. Motorola and  are registered trademarks of Motorola, Inc. Motorola, Inc. is an Equal Opportunity/Affirmative Action Employer.

Mfax is a trademark of Motorola, Inc.

How to reach us:

USA/EUROPE/Locations Not Listed: Motorola Literature Distribution;
P.O. Box 5405; Denver, Colorado 80217. 303-675-2140 or 1-800-441-2447

Mfax™: RMFAX0@email.sps.mot.com— TOUCHTONE (602) 244-6609
— US & Canada ONLY 1-800-774-1848

INTERNET: <http://motorola.com/sps>

JAPAN: Nippon Motorola Ltd.: SPD, Strategic Planning Office, 4-32-1,
Nishi-Gotanda, Shinagawa-ku, Tokyo 141, Japan. 81-3-5487-8488

ASIA/PACIFIC: Motorola Semiconductors H.K. Ltd.; 8B Tai Ping Industrial Park,
51 Ting Kok Road, Tai Po, N.T., Hong Kong. 852-26629298



MOTOROLA

MC92501/D