

# Product Preview

## Ignition Control Flip-Chip

Designed for automotive ignition applications. The MCCF33094 provides outstanding control of the ignition coil when used with an appropriate Motorola Power Darlington Transistor. Engine control systems utilizing the MCCF33094 exhibit exceptional fuel efficiency and low exhaust emissions. For proper operation, the MCCF33094 requires a single Hall Sensor input signal, which is compared to an accurate internal reference.

The MCCF33094 utilizes Flip-Chip Technology in which solder bumps, rather than traditional wire bonds, are created to establish mechanical and electrical contact to the chip. This process affords a unique device having improved reliability at elevated operating temperatures.

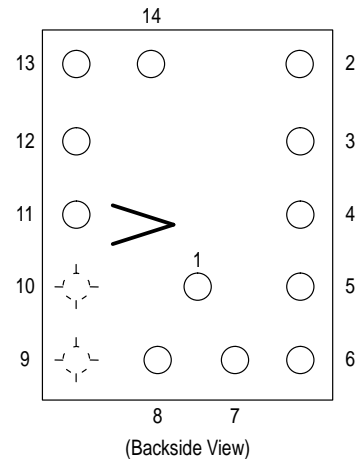
- Solder Bumped for Flip-Chip Assembly
- External Capacitors to Set Device Timing
- Overvoltage Shutdown Protection
- Auto Start-Up Capability Once Overvoltage Condition Ceases
- Allows for Push Start-Up in Automotive Applications
- Ignition Coil Current Limiting
- Ignition Coil Voltage Limiting
- Bandgap Reference for Enhanced Stability Over Temperature
- Negative Edge Filter for Hall Sensor Input Transient Protection
- Hall Sensor Inputs for RPM and Position Sensing
- $-30^{\circ}\text{C} \leq T_A \leq +140^{\circ}\text{C}$  Ambient Operating Temperature

## MCCF33094

### IGNITION CONTROL FLIP-CHIP

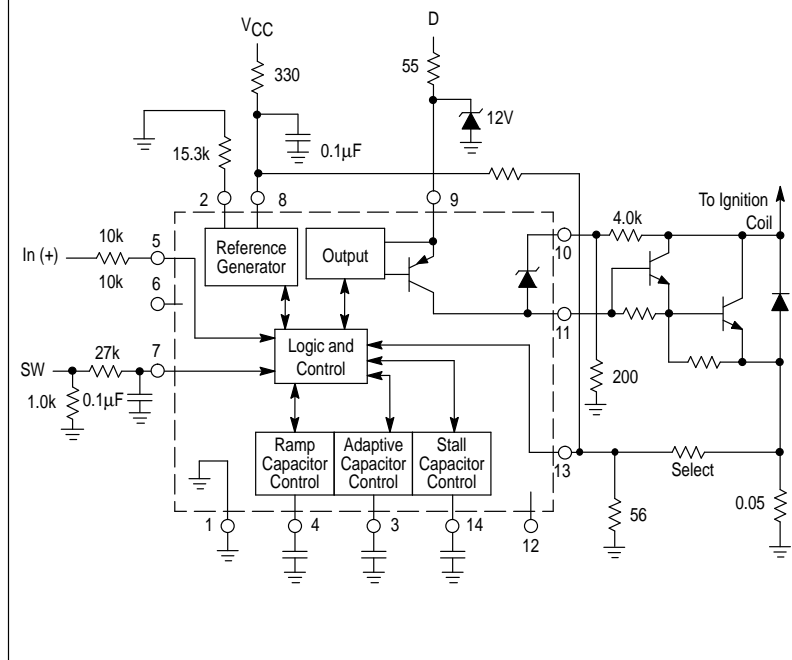
#### SEMICONDUCTOR TECHNICAL DATA

#### FLIP-CHIP CONFIGURATION



0.116 inch x 0.091 inch  
Backside orientation marking  
indicated by arrow oriented as shown

#### Simplified Block Diagram and Application Circuit




#### BUMP CONNECTIONS

1. Ground
2. Master Bias
3. Adaptive Capacitor
4. Ramp Capacitor
5. Positive Hall Input
6. N.C.
7. Start
8. Supply
9. Distributor Signal
10. Coil
11. Output
12. Process Test
13. Emitter of Darlington
14. Stall Capacitor

#### ORDERING INFORMATION

Device	Operating Temperature Range	Package
MCCF33094	$T_A = -30^{\circ}$ to $+140^{\circ}\text{C}$	Flip-Chip

Motorola reserves the right to make changes without further notice to any products herein. Motorola makes no warranty, representation or guarantee regarding the suitability of its products for any particular purpose, nor does Motorola assume any liability arising out of the application or use of any product or circuit, and specifically disclaims any and all liability, including without limitation consequential or incidental damages. "Typical" parameters which may be provided in Motorola data sheets and/or specifications can and do vary in different applications and actual performance may vary over time. All operating parameters, including "Typicals" must be validated for each customer application by customer's technical experts. Motorola does not convey any license under its patent rights nor the rights of others. Motorola products are not designed, intended, or authorized for use as components in systems intended for surgical implant into the body, or other applications intended to support or sustain life, or for any other application in which the failure of the Motorola product could create a situation where personal injury or death may occur. Should Buyer purchase or use Motorola products for any such unintended or unauthorized application, Buyer shall indemnify and hold Motorola and its officers, employees, subsidiaries, affiliates, and distributors harmless against all claims, costs, damages, and expenses, and reasonable attorney fees arising out of, directly or indirectly, any claim of personal injury or death associated with such unintended or unauthorized use, even if such claim alleges that Motorola was negligent regarding the design or manufacture of the part. Motorola and  registered trademarks of Motorola, Inc. Motorola, Inc. is an Equal Opportunity/Affirmative Action Employer.

**How to reach us:**

**USA/EUROPE/Locations Not Listed:** Motorola Literature Distribution;  
P.O. Box 20912; Phoenix, Arizona 85036. 1-800-441-2447 or 602-303-5454

**MFAX:** RMFAX0@email.sps.mot.com – TOUCHTONE 602-244-6609  
**INTERNET:** <http://Design-NET.com>

**JAPAN:** Nippon Motorola Ltd.; Tatsumi-SPD-JLDC, 6F Seibu-Butsuryu-Center,  
3-14-2 Tatsumi Koto-Ku, Tokyo 135, Japan. 03-81-3521-8315

**ASIA/PACIFIC:** Motorola Semiconductors H.K. Ltd.; 8B Tai Ping Industrial Park,  
51 Ting Kok Road, Tai Po, N.T., Hong Kong. 852-26629298

