



# Micromachined Accelerometer

## ±40g Amplified

The MMAS40G family of silicon capacitive, micro-machined accelerometers features integral signal amplification, signal conditioning, a 4-pole low-pass filter and temperature compensation. Zero-G offset, full scale span and filter roll-off are factory set and require no external passives. A calibrated self-test feature mechanically displaces the seismic mass with the application of a digital self-test signal.

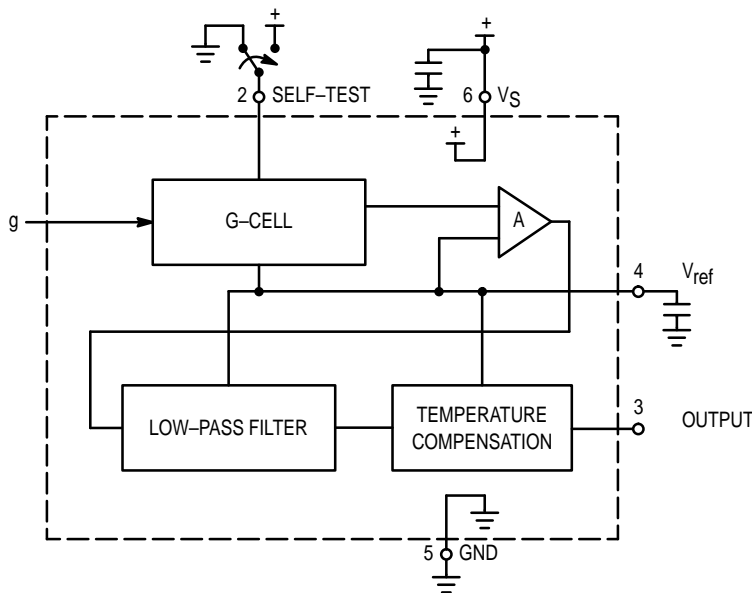
The MMAS40G incorporates a single polysilicon seismic mass, suspended between two fixed polysilicon plates (G-cell). The forces of acceleration move the seismic mass, thereby resulting in a change in capacitance. The G-cell is sealed at the wafer level, creating a particle-free environment. The G-cell features built-in damping and over-range stops to protect it from mechanical shock.

MMAS40G accelerometers are ideally suited for automotive crash detection and recording, vibration monitoring, automotive suspension control, appliance control systems, etc.

### Features

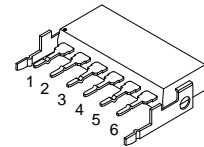
- Minimum Full Scale Measurement ±40g
- Calibrated, True Self-Test
- Senses Parallel to the Printed Circuit Board
- Integral Signal Conditioning and 4-Pole Filter
- Linear Output
- Robust, High Shock Survivability

### SIMPLIFIED BLOCK DIAGRAM



# MMAS40GWB

**MICROMACHINED  
ACCELEROMETER**  
±40g **AMPLIFIED**  
(Wingback)



**WB PACKAGE**  
CASE 456-03

### PIN NUMBER (WB)

1	NC (1)	4	V <sub>ref</sub> (2)
2	Self-Test	5	GND
3	Output	6	V <sub>S</sub> (2)

### NOTES:

1. Connect to ground.
2. Bypass at pin to ground with 0.1 μF ceramic capacitor for specified performance.

(Replaces XMMAS40GWB)

## MMAS40GWB

### MAXIMUM RATINGS

Rating	Symbol	Value	Unit
Acceleration (biased each axis)	G	±500	g
Acceleration (unbiased each axis)	G	±2000	g
Supply Voltage	V <sub>Smax</sub>	-0.3 to +7.0	Vdc
Storage Temperature	T <sub>stg</sub>	-40 to +105	°C
Operating Temperature(6)	T <sub>A</sub>	-40 to +85	°C

### OPERATING CHARACTERISTICS (V<sub>S</sub> = 5.0 Vdc, T<sub>A</sub> = 25°C unless otherwise noted)

Characteristic	Symbol	Min	Typ	Max	Unit
Acceleration Range	G	±40	±55	—	g
Output Drive Capability	—	-0.2	—	0.2	mA
Supply Voltage	V <sub>S</sub>	4.75	5.0	5.25	V
Supply Current	I <sub>O</sub>	—	5.0	7.0	mA
Full Scale Output Range	V <sub>FSO</sub>	0.3	—	V <sub>S</sub> - 0.3	V
Sensitivity (over temperature range) (2) (3)	ΔV/ΔG	36	40	44	mV/g
Zero Acceleration Output (over temperature range) (3) (4)	V <sub>off</sub>	2.2	2.5	2.8	V
Linearity	—	—	0.5	2.0	%FSO
Transverse Sensitivity	—	—	1.0	3.0	%FSO
Frequency Bandwidth	—	300	400	500	Hz
Noise	—	—	15	25	mV <sub>pk</sub>
Self-Test Output Equivalent (5)	G <sub>S</sub>	20	25	30	g
Self-Test Input Low	V <sub>STL</sub>	—	—	1.6	V
Self-Test Input High	V <sub>STH</sub>	3.4	—	—	V
Self-Test Input Current	—	10	70	200	μA

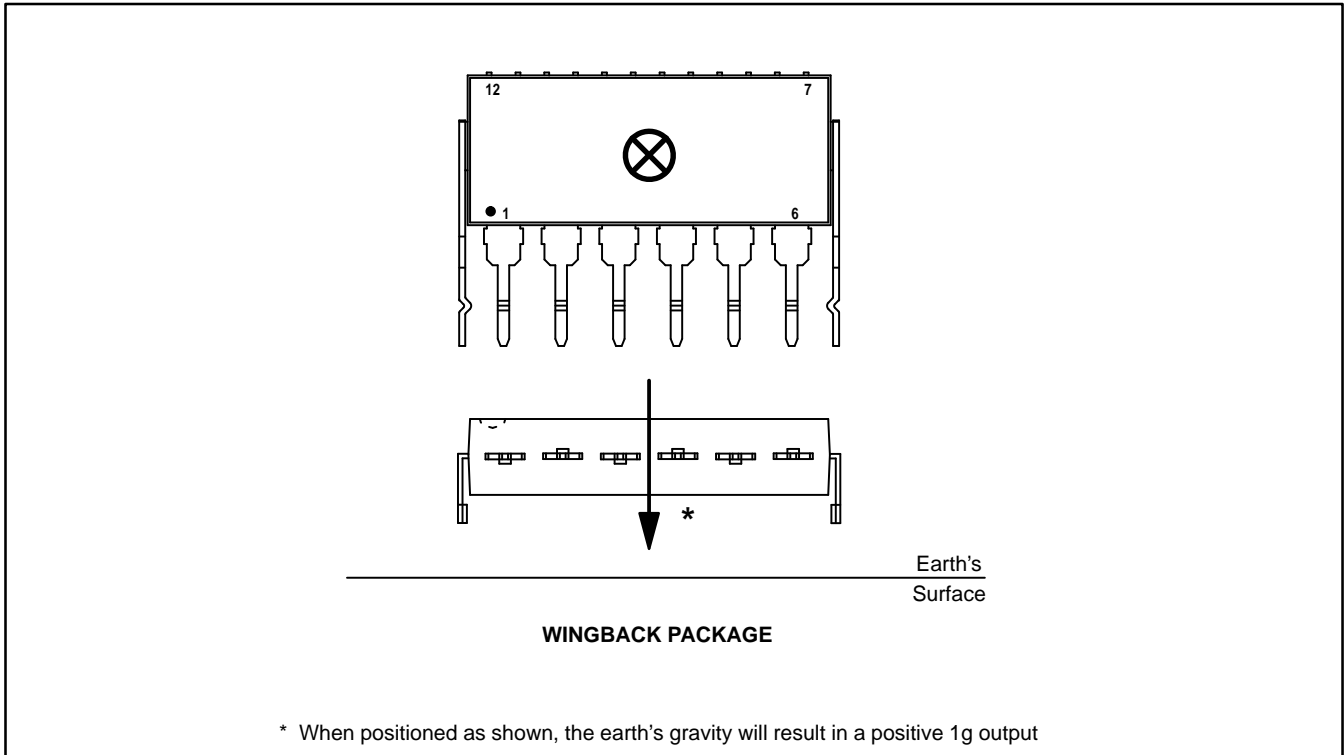
#### NOTES:

1. The output voltage increases from the Zero Acceleration Output for positive acceleration and decreases for negative acceleration. The typical sensitivity is 40 mV/g. For example, with V<sub>S</sub> = 5.0 V, a +20g input will result in a 3.3 V output. (V<sub>output</sub> = 2.5 + 0.040 × 20) and a -20g input will result in a 1.7 V output.
2. Sensitivity is a ratiometric parameter:  $\Delta V/\Delta G(V_S) = \Delta V/\Delta G(5\text{ V}) \times (V_S/5\text{ V})$ .
3. The compensated temperature operating range is -40 to +85°C.
4. Zero Acceleration Output is a ratiometric parameter:  $V_{\text{off}}(V_S) = V_{\text{off}}(5\text{ V}) \times (V_S/5\text{ V})$ .
5. Equivalent output in response to a Logic Level One on the self-test pin.
6. Additional temperature range available. Consult factory.

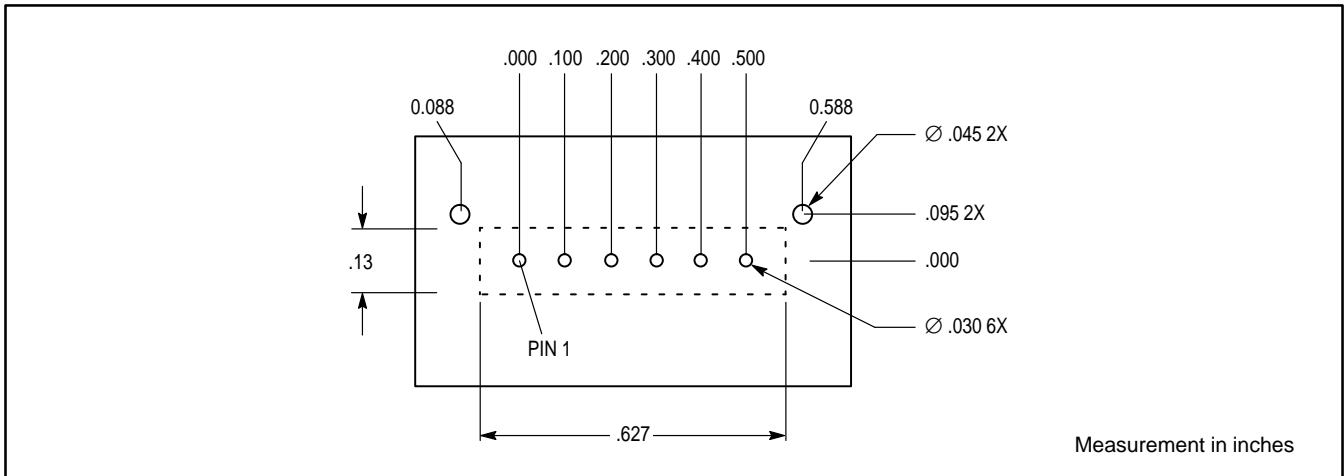
### ORDERING INFORMATION

Device	Temperature Range	Case No.	Package
MMAS40GWB	-40 to +85°C	456-03	Plastic Wingback

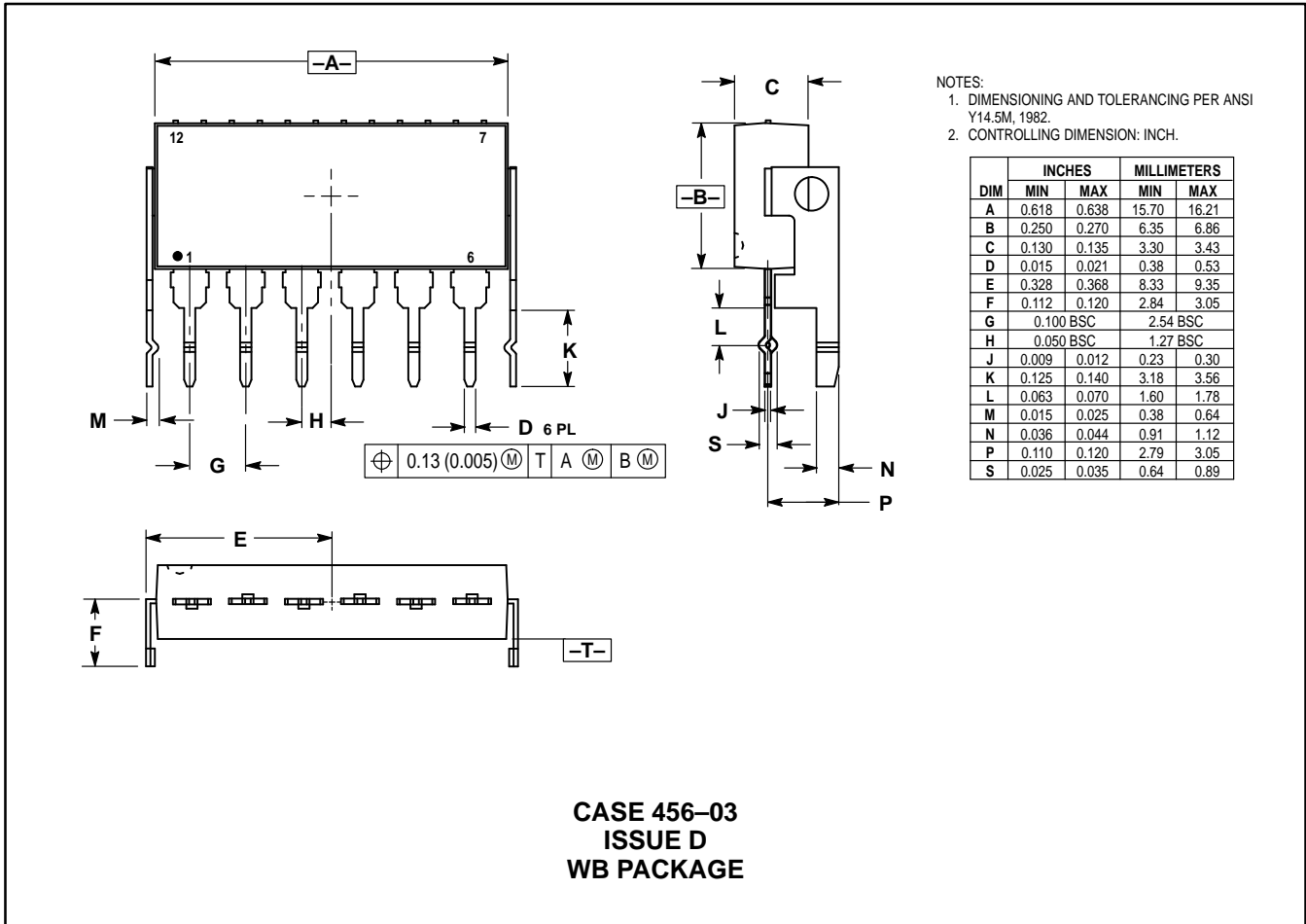
POSITIVE ACCELERATION SENSING DIRECTION



WINGBACK PACKAGE DRILLING PATTERN



PACKAGE DIMENSIONS



Motorola reserves the right to make changes without further notice to any products herein. Motorola makes no warranty, representation or guarantee regarding the suitability of its products for any particular purpose, nor does Motorola assume any liability arising out of the application or use of any product or circuit, and specifically disclaims any and all liability, including without limitation consequential or incidental damages. "Typical" parameters which may be provided in Motorola data sheets and/or specifications can and do vary in different applications and actual performance may vary over time. All operating parameters, including "Typicals" must be validated for each customer application by customer's technical experts. Motorola does not convey any license under its patent rights nor the rights of others. Motorola products are not designed, intended, or authorized for use as components in systems intended for surgical implant into the body, or other applications intended to support or sustain life, or for any other application in which the failure of the Motorola product could create a situation where personal injury or death may occur. Should Buyer purchase or use Motorola products for any such unintended or unauthorized application, Buyer shall indemnify and hold Motorola and its officers, employees, subsidiaries, affiliates, and distributors harmless against all claims, costs, damages, and expenses, and reasonable attorney fees arising out of, directly or indirectly, any claim of personal injury or death associated with such unintended or unauthorized use, even if such claim alleges that Motorola was negligent regarding the design or manufacture of the part. Motorola and are registered trademarks of Motorola, Inc. Motorola, Inc. is an Equal Opportunity/Affirmative Action Employer.

Mfax is a trademark of Motorola, Inc.

How to reach us:

USA/EUROPE/Locations Not Listed: Motorola Literature Distribution;  
 P.O. Box 5405, Denver, Colorado 80217. 303-675-2140 or 1-800-441-2447

JAPAN: Nippon Motorola Ltd.: SPD, Strategic Planning Office, 4-32-1,  
 Nishi-Gotanda, Shinagawa-ku, Tokyo 141, Japan. 81-3-5487-8488

Mfax™: RMFAX0@email.sps.mot.com - TOUCHTONE 602-244-6609  
 - US & Canada ONLY 1-800-774-1848

ASIA/PACIFIC: Motorola Semiconductors H.K. Ltd.; 8B Tai Ping Industrial Park,  
 51 Ting Kok Road, Tai Po, N.T., Hong Kong. 852-26629298

INTERNET: <http://motorola.com/sps>

