


MOTOROLA

2.0 GHz Low Voltage Dual Modulus Prescaler

The MC12033 is a high frequency low voltage dual modulus prescaler used in phase-locked loop (PLL) applications. A high frequency input signal up to 2.0 GHz is provided for cordless and cellular communication services such as DECT, PHS, and PCS. The MC12033 can be operated down to a minimum supply voltage of 2.7 V required for battery operated portable systems.

The MC12033A can be used with CMOS synthesizer requiring positive edges to trigger internal counters such as Motorola's MC145XXX series in a PLL to provide tuning signal up to 2.0 GHz in programmable frequency steps. The MC12033B can be used with CMOS synthesizers requiring negative edges to trigger internal counters.

A Divide Ratio Control (SW) permits selection of a 32/33 or 64/65 divide ratio as desired.

The Modulus Control (MC) selects the proper divide number after SW has been biased to select the desired divide ratio.

NOTE: The "B" Version Is Not Recommended for New Designs

- 2.0 GHz Toggle Frequency
- Supply Voltage 2.7 V to 5.0 Vdc
- Low Power 10.0 mA Typical at $V_{CC} = 2.7$ V
- Operating Temperature Range of -40 to 85°C
- The MC12033 is Pin Compatible With the MC12022
- Short Setup Time (t_{set}) 8ns Typical at 2.0 GHz
- Modulus Control Input Level Is Compatible With Standard CMOS and TTL

FUNCTIONAL TABLE

SW	MC	Divide Ratio
H	H	32
H	L	33
L	H	64
L	L	65

NOTES: 1. SW: H = V_{CC} , L = Open. A logic L can also be applied by grounding this pin, but this is not recommended due to increased power consumption.
2. MC: H = 2.0 V to V_{CC} , L = GND to 0.8 V.

MAXIMUM RATINGS

Parameter	Symbol	Value	Unit
Power Supply Voltage, Pin 2	V_{CC}	-0.5 to 7.0	Vdc
Operating Temperature Range	T_A	-40 to 85	$^{\circ}\text{C}$
Storage Temperature Range	Tstg	-65 to 150	$^{\circ}\text{C}$
Modulus Control Input, Pin 6	MC	-0.5 to 6.5	Vdc
Maximum Output Current, Pin 4	I_O	10.0	mA

NOTE: ESD data available upon request.

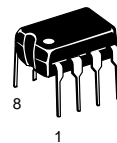
MC12033A MC12033B

MECL PLL COMPONENTS $\div 32/33$, $\div 64/65$ LOW VOLTAGE DUAL MODULUS PRESCALER

SEMICONDUCTOR TECHNICAL DATA

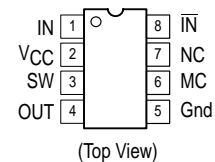


D SUFFIX
PLASTIC PACKAGE
CASE 751
(SO-8)



P SUFFIX
PLASTIC PACKAGE
CASE 626

PIN CONNECTIONS



ORDERING INFORMATION

Device	Operating Temp Range	Package
MC12033AD	$T_A = -40^{\circ}$ to $+85^{\circ}\text{C}$	SO-8
MC12033AP		Plastic
MC12033BD		SO-8
MC12033BP		Plastic

MC12033A MC12033B

ELECTRICAL CHARACTERISTICS ($V_{CC} = 2.7$ to 5.0 V; $T_A = -40$ to 85°C , unless otherwise noted.)

Parameter	Symbol	Min	Typ	Max	Unit
Toggle Frequency (Sine Wave)	ft	0.5	2.4	2.0	GHz
Supply Current Output (Pin 2)	I_{CC}	–	10.0 13.0	12.5 16.0	mA
Modulus Control Input HIGH (MC)	V_{IH1}	2.0	–	V_{CC}	V
Modulus Control Input LOW (MC)	V_{IL1}	Gnd	–	0.8	V
Divide Ratio Control Input HIGH (SW)	V_{IH2}	V_{CC}	V_{CC}	V_{CC}	V
Divide Ratio Control Input LOW (SW)	V_{IL2}	OPEN	OPEN	OPEN	–
Output Voltage Swing (Note 1)	V_{OUT}	0.8	1.2	–	V_{pp}
Modulus Setup Time MC to OUT @ 2000 MHz	t_{set}	–	8.0	10	ns
Input Voltage Sensitivity	V_{IN}	100	–	1000	mVpp
Output Current (Note 2)	I_O	–	2.4 2.4	4.0 4.0	mA

NOTES: 1. Valid over voltage range 2.7 to 5.0 V; $R_L = 600 \Omega$ @ $V_{CC} = 2.7$ V; $R_L = 1.5 \text{ k}\Omega$ @ $V_{CC} = 5.0$ V
 2. Divide ratio of +32/33 @ 2.0 GHz

Figure 1. Logic Diagram (MC12033A)

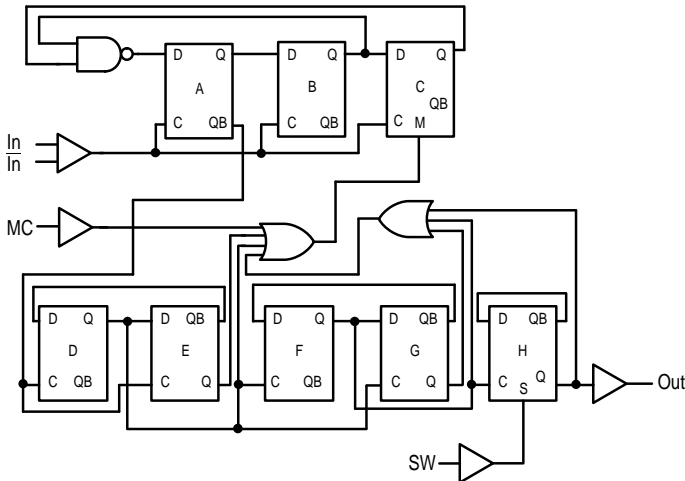
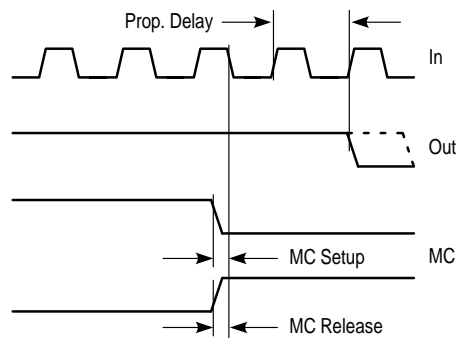
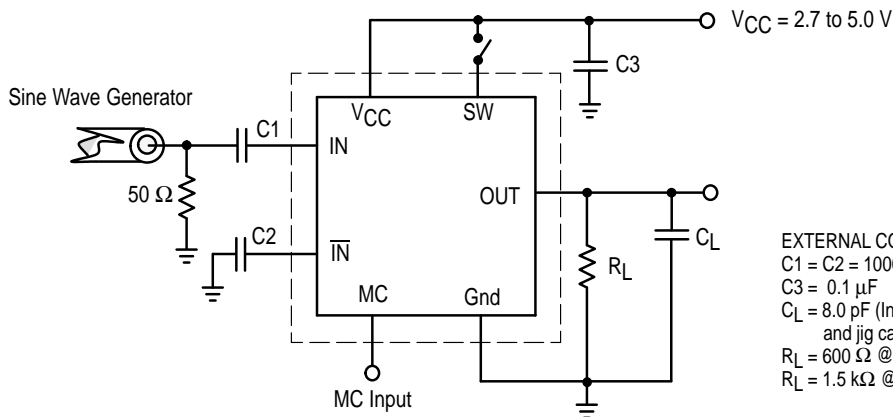


Figure 2. Modulus Setup Time



Modulus setup time MC to out is the MC setup or MC release plus the prop delay.

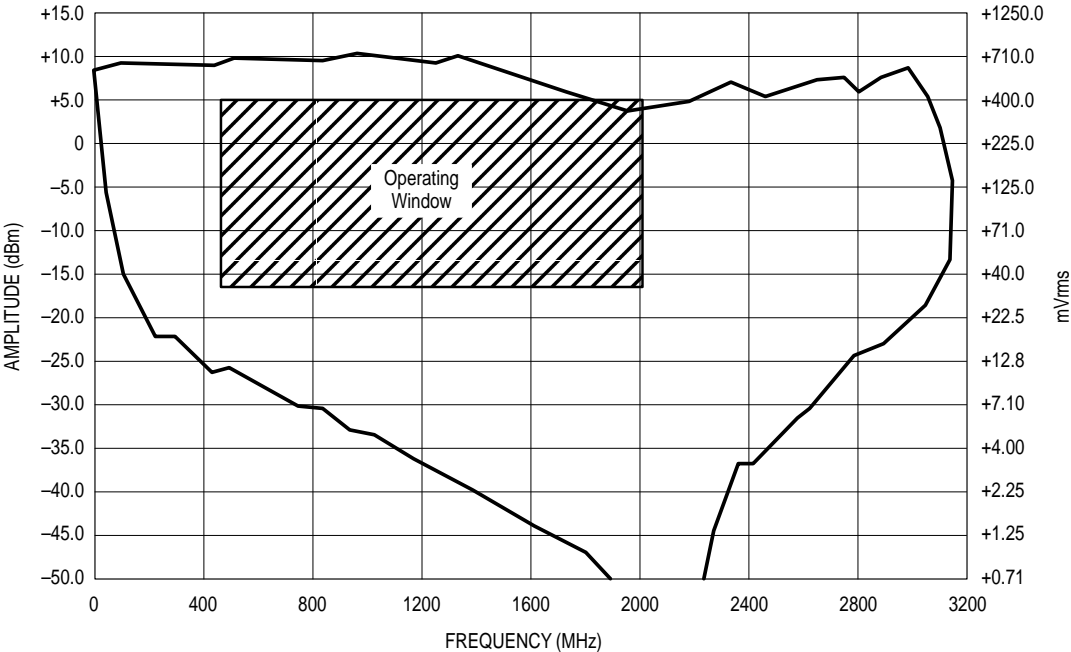
Figure 3. AC Test Circuit



EXTERNAL COMPONENTS
 $C1 = C2 = 1000 \text{ pF}$
 $C3 = 0.1 \mu\text{F}$
 $C_L = 8.0 \text{ pF}$ (Including Scope and jig capacitance)
 $R_L = 600 \Omega$ @ $V_{CC} = 2.7 \text{ V}$
 $R_L = 1.5 \text{ k}\Omega$ @ $V_{CC} = 5.0 \text{ V}$

MC12033A MC12033B

Figure 4. Input Signal Amplitude versus Input Frequency



Divide Ratio = 64; V_{CC} = 5.0 V; T_A = 25°C

Figure 5. Output Amplitude versus Input Frequency

