

MAXIMUM RATINGS* (Voltages referenced to V_{SS})

Rating	Symbol	Value	Unit
DC Supply Voltage	V _{DD}	- 0.5 to + 7	V
Input Voltage, All Inputs	V _{in}	- 0.5 to V _{DD} + 0.5	V
Storage Temperature Range	T _{stg}	- 65 to + 150	°C

* Maximum Ratings are those values beyond which damage to the device may occur. Functional operation should be restricted to the limits in the Electrical Characteristics table or Circuit Operation section.

This device contains circuitry to protect the inputs against damage due to high static voltages or electric fields; however, it is advised that normal precautions be taken to avoid application of any voltage higher than maximum rated voltages to this high impedance circuit. For proper operation, it is recommended that V_{in} and V_{out} be constrained to the range V_{SS} ≤ (V_{in} or V_{out}) ≤ V_{DD}.

ELECTRICAL CHARACTERISTICS (V_{DD} = 4.5 to 6.5 V)

Characteristic	Symbol	0°C		25°C		70°C		Unit
		Min	Max	Min	Max	Min	Max	
Serial Port Input Voltage '0' Level '1' Level	V _{IL}	—	0.3 x V _{DD}	—	0.3 x V _{DD}	—	0.3 x V _{DD}	V
	V _{IH}	0.7 x V _{DD}	—	0.7 x V _{DD}	—	0.7 x V _{DD}	—	
Serial Port Input Current (V _{in} = 0 to V _{DD})	I _{in}	—	± 0.1	—	± 0.1	—	± 1.0	µA
Oscillator Input Voltage '0' Level '1' Level	V _{IL}	—	0.25 x V _{DD}	—	0.25 x V _{DD}	—	0.2 x V _{DD}	V
	V _{IH}	0.75 x V _{DD}	—	0.75 x V _{DD}	—	0.8 x V _{DD}	—	
Oscillator Input Current V _{Osc} = 0 V _{Osc} = V _{DD}	I _{IL}	—	100	30	80	10	—	µA
	I _{IH}	—	- 100	- 30	- 80	- 10	—	
Segment Driver Voltage Below V _{DD} I _{out} = 50 mA I _{out} = 10 mA	ΔV _{OH}	—	1.1	—	1.0	—	1.1	V
		—	0.8	—	0.75	—	0.8	
Segment Driver Off Leakage V _{out} = 0	I _{OZ}	—	100	—	50	—	100	µA
Digit Drivers Source (On) Sink (Off)	I _{OH} I _{OL}	6	—	5.5	—	4	—	mA
		- 0.2	—	- 0.2	—	- 0.1	—	
Supply Current V _{in} = 0, I _{out} = 0, C _{Osc} = 0.015 µF	I _{DD}	—	1	—	1	—	1	mA
Maximum Power Dissipation	P _D	—	500	—	500	—	500	mW

SWITCHING CHARACTERISTICS (V_{DD} = 5 V ± 10%, T_A = 0 to 70°C)

Characteristic	Figure No.	Symbol	Min	Max	Unit
Clock High Time	2	t _{CH}	2	—	µs
Clock Low Time	2	t _{CL}	2	—	µs
Clock Rise Time	2	t _{CR}	—	2	µs
Clock Fall Time	2	t _{CF}	—	2	µs
Enable Lead Time	2	t _{E LEAD}	200	—	ns
Enable Lag Time	2	t _{E LAG}	200	—	ns
Data Set-Up Time	2	t _{D SUP}	200	—	ns
Data Hold Time	2	t _{D HOLD}	1	—	µs
Scanner Frequency*	4	1/t _{SCAN}	50	300	Hz
OSC/Digit Lead Time	4	t _{OD}	—	10	µs
OSC/Segment Lead Time	4	t _{OS}	—	10	µs
Digit Overlap	4	t _{OV}	—	5	µs

* Scanner Capacitance = 0.022 µF.

CIRCUIT OPERATION

The circuit accepts a 20-bit input, 16 bits for the four-digit display plus 4 bits for the decimal point — these latter four bits are optional.

The input sequence is the decimal point code followed by the four digits, as shown in Figure 1.

In order to enter data the enable input, ENB, must be active low. The sample and shift are accomplished on the falling clock edge, see Figure 2. Data are loaded from the shift register to the latches when ENB goes high. While the shift register is being loaded, the previous data are stored in the latches.

If the decimal point is used, the system requires 20 clock pulses to load data; otherwise only 16 are required.

CASCADING

The circuit may be cascaded in the following manner.

If a 1111 word is loaded into the decimal point latch, the output of the shift register is switched to the decimal point driver, see Figure 3. Therefore, to cascade n four-digit display drivers, a set-up is used which loads the 1111 cascading word:

1. ENB = active low.
2. Load 20 bits, the first four bits being 1, with 20 clock pulses.
3. ENB = high, to load the latch.
4. Repeat steps 1 to 3 ($n - 1$) times.

5. ($n \times 20$) bits can be loaded into n circuits, with 1111 as decimal point word to continue the cascading.

SCANNER

The scanner frequency is determined by an on-chip oscillator, which requires an external frequency-determining capacitor. The capacitor voltage varies between two trigger levels at the oscillator frequency.

An external oscillator signal can be used, within the recommended operating range of 200 to 800 Hz. For test purposes this frequency may be increased up to 10 kHz.

A divide by four counter provides four non-overlapping scanner waveforms corresponding to the four digits — see Figure 4.

SEGMENT DECODER

The code used in these matrix decoders is shown in Figure 5.

OUTPUT DRIVERS

There are two different drivers:

- The segment and decimal point drivers; these are NPN emitter followers with no current limiting devices.
- The digit output buffers; these are short-circuit protected CMOS devices.

A typical application circuit is shown in Figure 6.

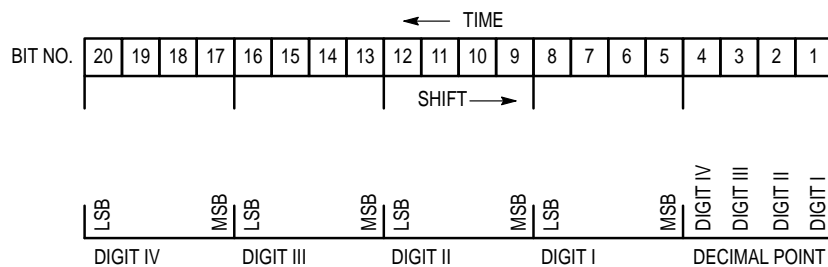


Figure 1. Input Sequence

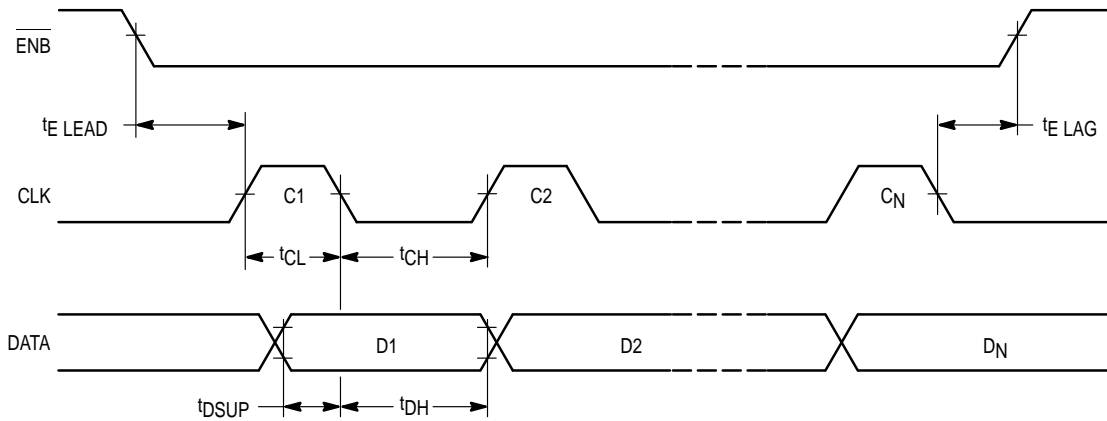


Figure 2a. Serial Input, Positive Clock

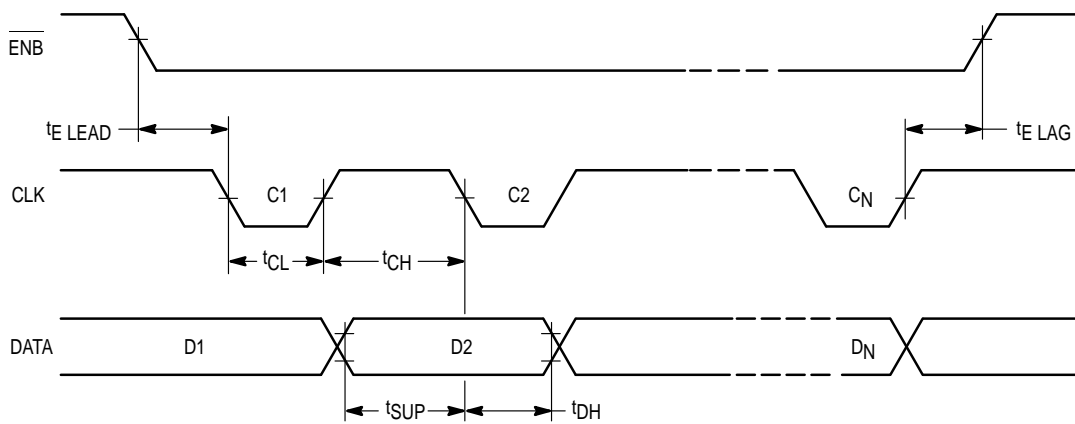


Figure 2b. Serial Input, Negative Clock

Figure 2. Serial Input

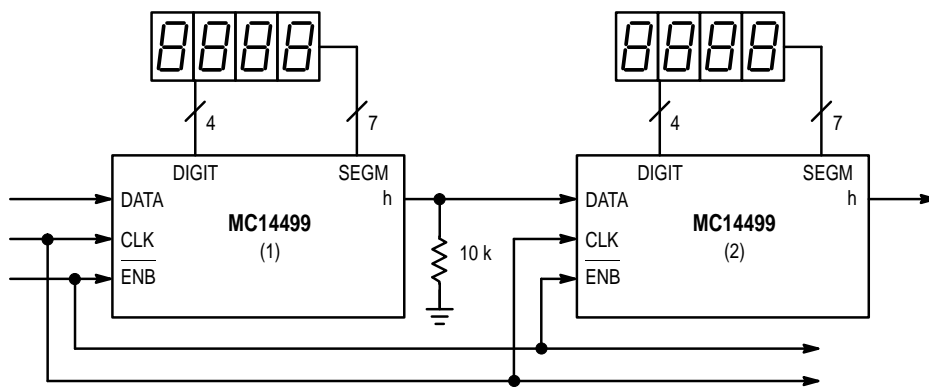


Figure 3. Cascading MC14499s

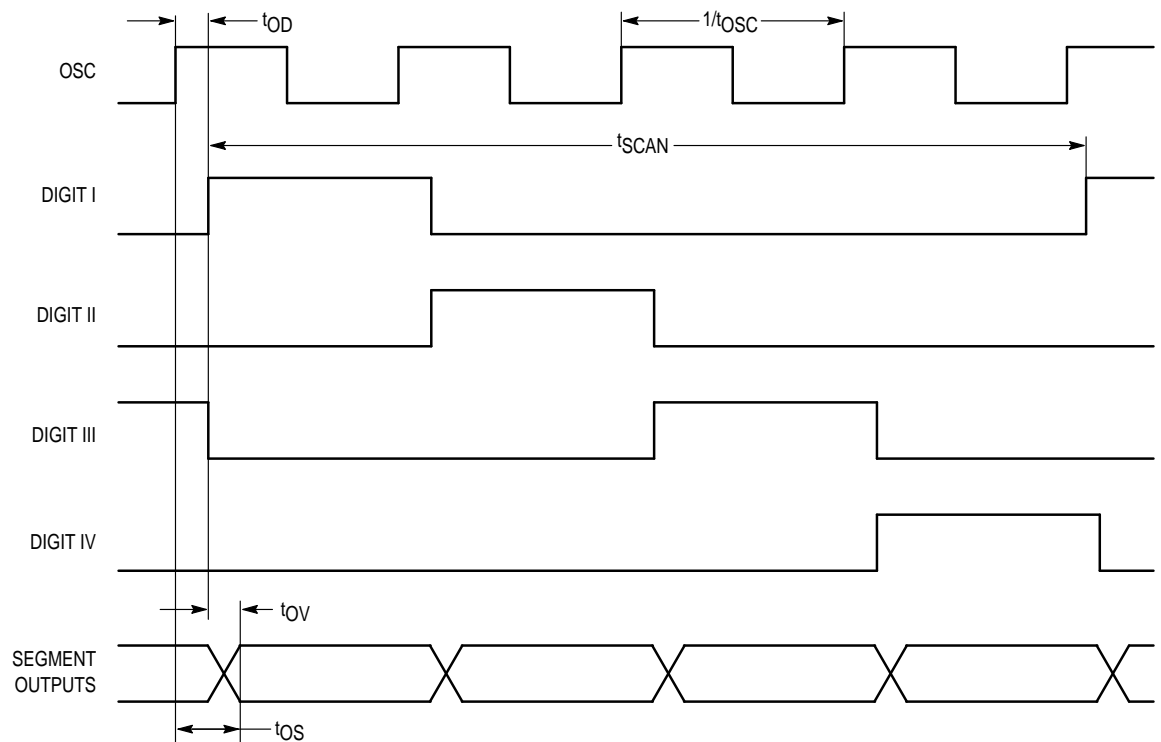


Figure 4. Scanner Waveforms

0000	0	1000	8
0001	1	1001	9
0010	2	1010	A
0011	3	1011	I
0100	4	1100	11
0101	5	1101	U
0110	6	1110	DASH -
0111	7	1111	BLANK

Figure 5. Segment Code

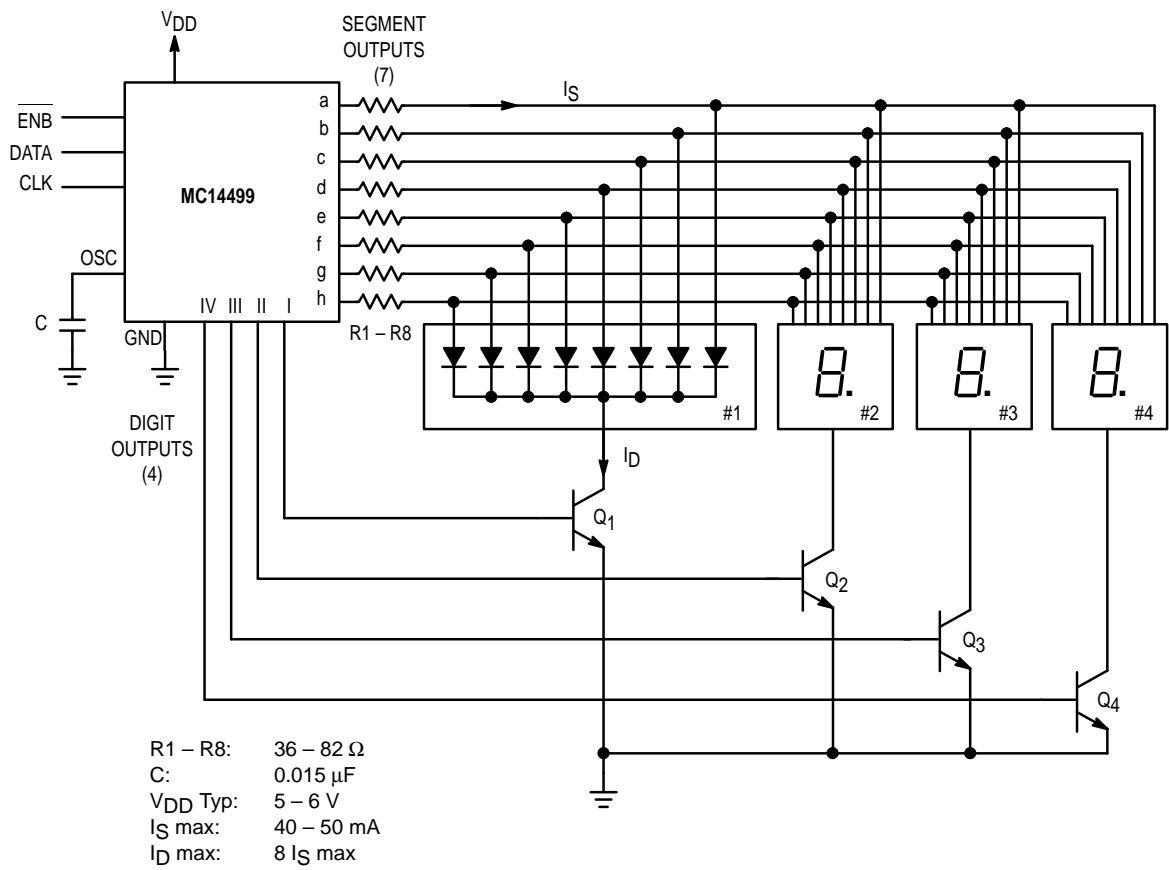
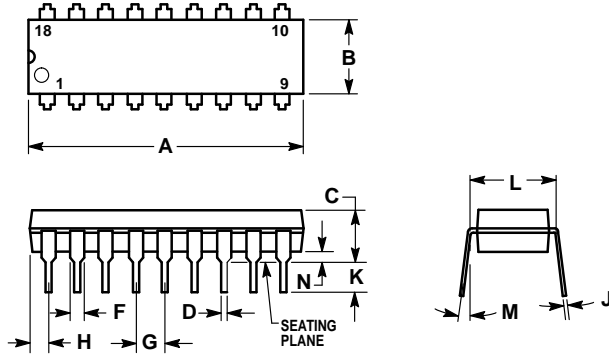


Figure 6. Application Example

PACKAGE DIMENSIONS

P SUFFIX PLASTIC DIP CASE 707-02

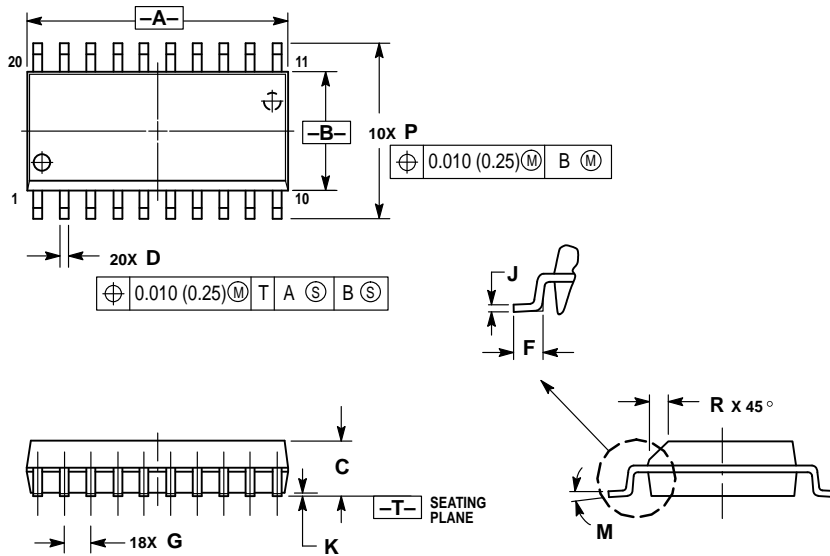


NOTES:

1. POSITIONAL TOLERANCE OF LEADS (D), SHALL BE WITHIN 0.25 (0.010) AT MAXIMUM MATERIAL CONDITION, IN RELATION TO SEATING PLANE AND EACH OTHER.
2. DIMENSION L TO CENTER OF LEADS WHEN FORMED PARALLEL.
3. DIMENSION B DOES NOT INCLUDE MOLD FLASH.

DIM	MILLIMETERS		INCHES	
	MIN	MAX	MIN	MAX
A	22.22	23.24	0.875	0.915
B	6.10	6.60	0.240	0.260
C	3.56	4.57	0.140	0.180
D	0.36	0.56	0.014	0.022
F	1.27	1.78	0.050	0.070
G	2.54 BSC		0.100 BSC	
H	1.02	1.52	0.040	0.060
J	0.20	0.30	0.008	0.012
K	2.92	3.43	0.115	0.135
L	7.62 BSC		0.300 BSC	
M	0°	15°	0°	15°
N	0.51	1.02	0.020	0.040

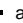
DW SUFFIX SOG PACKAGE CASE 751D-04



NOTES:

1. DIMENSIONING AND TOLERANCING PER ANSI Y14.5M, 1982.
2. CONTROLLING DIMENSION: MILLIMETER.
3. DIMENSIONS A AND B DO NOT INCLUDE MOLD PROTRUSION.
4. MAXIMUM MOLD PROTRUSION 0.150 (0.006) PER SIDE.
5. DIMENSION D DOES NOT INCLUDE DAMBAR PROTRUSION. ALLOWABLE DAMBAR PROTRUSION SHALL BE 0.13 (0.005) TOTAL IN EXCESS OF D DIMENSION AT MAXIMUM MATERIAL CONDITION.

DIM	MILLIMETERS		INCHES	
	MIN	MAX	MIN	MAX
A	12.65	12.95	0.499	0.510
B	7.40	7.60	0.292	0.299
C	2.35	2.65	0.093	0.104
D	0.35	0.49	0.014	0.019
F	0.50	0.90	0.020	0.035
G	1.27 BSC		0.050 BSC	
J	0.25	0.32	0.010	0.012
K	0.10	0.25	0.004	0.009
M	0°	7°	0°	7°
P	10.05	10.55	0.395	0.415
R	0.25	0.75	0.010	0.029

Motorola reserves the right to make changes without further notice to any products herein. Motorola makes no warranty, representation or guarantee regarding the suitability of its products for any particular purpose, nor does Motorola assume any liability arising out of the application or use of any product or circuit, and specifically disclaims any and all liability, including without limitation consequential or incidental damages. "Typical" parameters can and do vary in different applications. All operating parameters, including "Typicals" must be validated for each customer application by customer's technical experts. Motorola does not convey any license under its patent rights nor the rights of others. Motorola products are not designed, intended, or authorized for use as components in systems intended for surgical implant into the body, or other applications intended to support or sustain life, or for any other application in which the failure of the Motorola product could create a situation where personal injury or death may occur. Should Buyer purchase or use Motorola products for any such unintended or unauthorized application, Buyer shall indemnify and hold Motorola and its officers, employees, subsidiaries, affiliates, and distributors harmless against all claims, costs, damages, and expenses, and reasonable attorney fees arising out of, directly or indirectly, any claim of personal injury or death associated with such unintended or unauthorized use, even if such claim alleges that Motorola was negligent regarding the design or manufacture of the part. Motorola and  are registered trademarks of Motorola, Inc. Motorola, Inc. is an Equal Opportunity/Affirmative Action Employer.

How to reach us:

USA/EUROPE: Motorola Literature Distribution;
P.O. Box 20912; Phoenix, Arizona 85036. 1-800-441-2447

JAPAN: Nippon Motorola Ltd.; Tatsumi-SPD-JLDC, Toshikatsu Otsuki,
6F Seibu-Butsuryu-Center, 3-14-2 Tatsumi Koto-Ku, Tokyo 135, Japan. 03-3521-8315

MFAX: RMFAX0@email.sps.mot.com – TOUCHTONE (602) 244-6609
INTERNET: <http://Design-NET.com>

HONG KONG: Motorola Semiconductors H.K. Ltd.; 8B Tai Ping Industrial Park,
51 Ting Kok Road, Tai Po, N.T., Hong Kong. 852-26629298



MC14499/D

