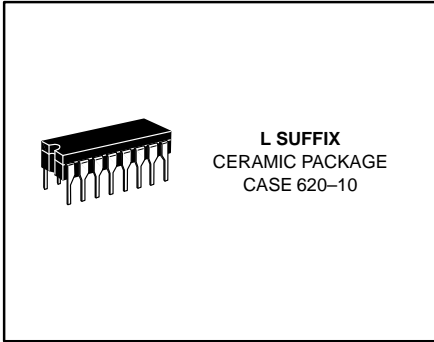


# Dual 4-Input OR/NOR Gate

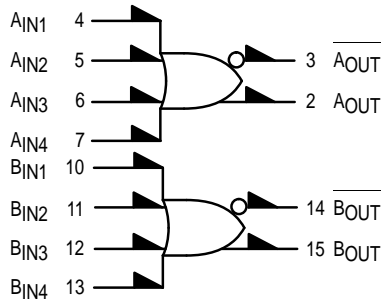
**MC1660**

**ELECTRICAL CHARACTERISTICS**

Characteristic	Symbol	-30°C		+25°C		+85°C		Unit
		Min	Max	Min	Max	Min	Max	
Power Supply Drain Current	$I_E$	—	—	—	28	—	—	mAdc
Input Current	$I_{inH}$	—	—	—	350	—	—	$\mu$ Adc
Switching Times Propagation Delay	$t_{+-}$	0.6	1.8	0.6	1.7	0.6	1.9	ns
	$t_{-+}$	0.6	1.6	0.6	1.5	0.6	1.7	
Rise Time, Fall Time (10% to 90%)	$t^+, t^-$	0.6	2.2	0.6	2.1	0.6	2.3	ns



**LOGIC DIAGRAM**



$$\overline{OUT} = \overline{IN1 + IN2 + IN3 + IN4}$$

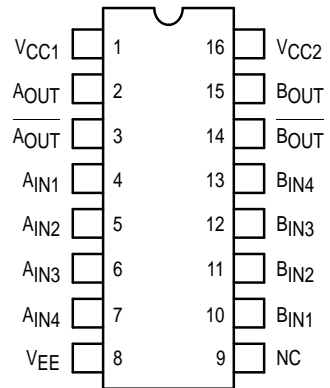
$$OUT = \overline{\overline{IN1 + IN2 + IN3 + IN4}}$$

$V_{CC1} = \text{PIN } 1$   
 $V_{CC2} = \text{PIN } 16$   
 $V_{EE} = \text{PIN } 8$

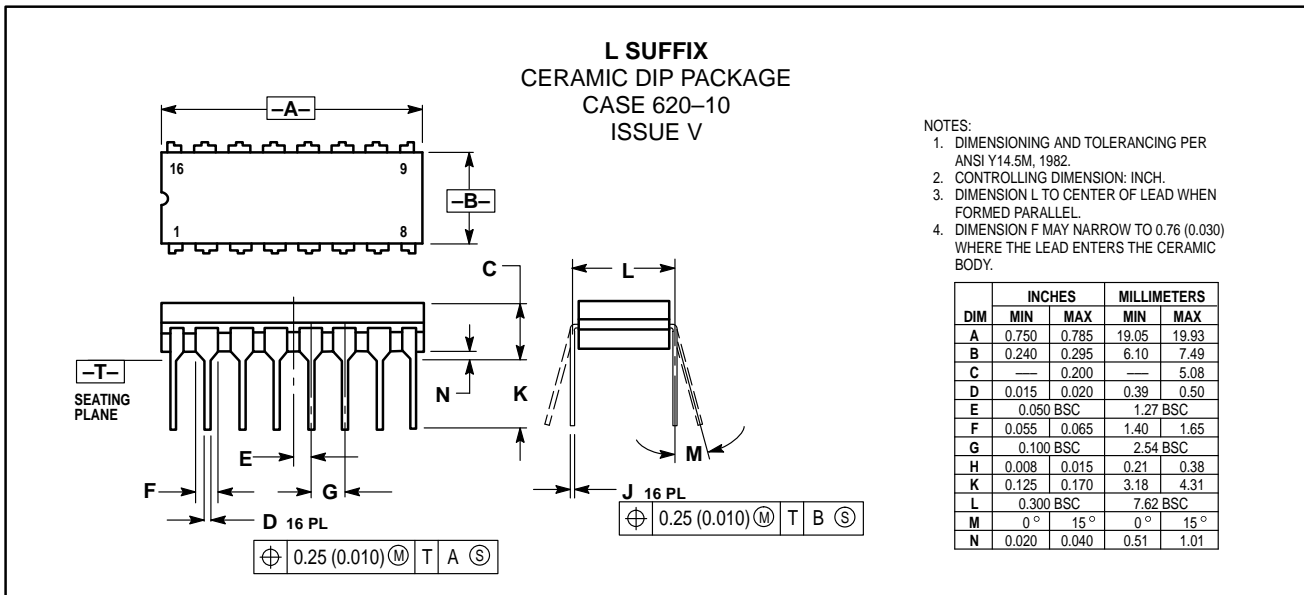
$t_{pd} = 0.9 \text{ ns typ (510 ohm load)}$   
 $= 1.1 \text{ ns typ (50 ohm load)}$

$P_D = 120 \text{ mW typ/pkg (No load)}$   
Full Load Current,  $I_L = -25 \text{ mAdc max}$

**PIN ASSIGNMENT**



OUTLINE DIMENSIONS



Motorola reserves the right to make changes without further notice to any products herein. Motorola makes no warranty, representation or guarantee regarding the suitability of its products for any particular purpose, nor does Motorola assume any liability arising out of the application or use of any product or circuit, and specifically disclaims any and all liability, including without limitation consequential or incidental damages. "Typical" parameters which may be provided in Motorola data sheets and/or specifications can and do vary in different applications and actual performance may vary over time. All operating parameters, including "Typicals" must be validated for each customer application by customer's technical experts. Motorola does not convey any license under its patent rights nor the rights of others. Motorola products are not designed, intended, or authorized for use as components in systems intended for surgical implant into the body, or other applications intended to support or sustain life, or for any other application in which the failure of the Motorola product could create a situation where personal injury or death may occur. Should Buyer purchase or use Motorola products for any such unintended or unauthorized application, Buyer shall indemnify and hold Motorola and its officers, employees, subsidiaries, affiliates, and distributors harmless against all claims, costs, damages, and expenses, and reasonable attorney fees arising out of, directly or indirectly, any claim of personal injury or death associated with such unintended or unauthorized use, even if such claim alleges that Motorola was negligent regarding the design or manufacture of the part. Motorola and are registered trademarks of Motorola, Inc. Motorola, Inc. is an Equal Opportunity/Affirmative Action Employer.

**How to reach us:**

**USA/EUROPE/Locations Not Listed:** Motorola Literature Distribution; P.O. Box 5405, Denver, Colorado 80217. 1-800-441-2447

**Mfax™:** RMFAX0@email.sps.mot.com – TOUCHTONE 602-244-6609  
**INTERNET:** http://Design-NET.com

**JAPAN:** Nippon Motorola Ltd.; Tatsumi-SPD-JLDC, 6F Seibu-Butsuryu-Center, 3-14-2 Tatsumi Koto-Ku, Tokyo 135, Japan. 03-81-3521-8315

**ASIA/PACIFIC:** Motorola Semiconductors H.K. Ltd.; 8B Tai Ping Industrial Park, 51 Ting Kok Road, Tai Po, N.T., Hong Kong. 852-26629298

