



Silicon Pressure Sensor On-Chip Temperature Compensated and Calibrated

The MPXT2010 Series silicon piezoresistive pressure sensors provide a very accurate and linear voltage output — directly proportional to the applied pressure. These sensors house a single monolithic silicon die with the strain gauge and thin-film resistor network integrated on each chip. The sensor is laser trimmed for precise span and offset, both calibrated and temperature compensated.

Features

- Stress Isolated Top Piston Fit Package
- Gauge Pressure Measurement
- Temperature Compensated over 0° to +85°C
- Unique Silicon Shear Stress Strain Gauge
- Ratiometric to Supply Voltage
- Available in Unibody Package (Case 344), See MPX2010 Series Data Sheet

Application Examples

- Respiratory Diagnostic Devices and Systems
- Air Movement Control (HVAC)
- Level Indicators
- Controllers
- Pressure Switching

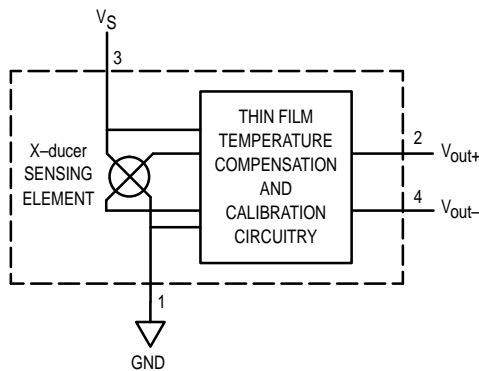
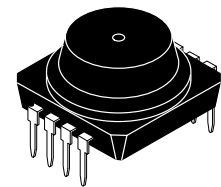


Figure 1. Calibrated and Temperature Compensated Pressure Sensor Schematic

MPXT2010 SERIES

**COMPENSATED
PRESSURE SENSOR**
0 to 10 kPa (0 to 1.45 psi)
FULL SCALE SPAN: 25 mV



**BASIC ELEMENT
CASE 473A-01**

PIN NUMBER

1	Gnd	5	N/C
2	+V _{out}	6	N/C
3	V _S	7	N/C
4	-V _{out}	8	N/C

NOTE: Pins 5, 6, 7, and 8 are not device connections. Do not connect to external circuitry or ground. Pin 1 is noted by the notch in the Lead.

Senseon and X-ducer are trademarks of Motorola, Inc.

MPXT2010 SERIES

MAXIMUM RATINGS(1)

Parametrics	Symbol	Value	Unit
Overpressure ⁽⁹⁾ (P1 > P2)	P _{max}	75	kPa
Burst Pressure ⁽⁹⁾ (P1 > P2)	P _{burst}	100	kPa
Storage Temperature	T _{stg}	-40 to +125	°C
Operating Temperature	T _A	-40 to +125	°C

- T_C = 25°C unless otherwise noted.
- Exposure beyond the specified limits may cause permanent damage or degradation to the device.

OPERATING CHARACTERISTICS (V_S = 10 Vdc, T_A = 25°C unless otherwise noted, P1 > P2)

Characteristic	Symbol	Min	Typ	Max	Unit
Pressure Range ⁽¹⁾	POP	0	—	10	kPa
Supply Voltage ⁽²⁾	V _S	—	10	16	Vdc
Supply Current	I _o	—	6.0	—	mAdc
Offset ⁽³⁾	V _{off}	-1.0	—	+1.0	mV
Full Scale Span ⁽⁴⁾	V _{FSS}	24	25	26	mV
Sensitivity	V/P	—	2.5	—	mV/kPa
Linearity ⁽⁵⁾	—	-1.0	—	+1.0	%V _{FSS}
Pressure Hysteresis ⁽⁵⁾ (0 to 10 kPa)	—	—	±0.1	—	%V _{FSS}
Temperature Hysteresis ⁽⁵⁾ (-40°C to +125°C)	—	—	±0.5	—	%V _{FSS}
Temperature Effect on Offset ⁽⁵⁾	TCV _{off}	-1.0	—	+1.0	mV
Temperature Effect on Full Scale Span ⁽⁵⁾	TCV _{FSS}	-1.0	—	+1.0	%V _{FSS}
Input Impedance	Z _{in}	1300	—	2550	Ω
Output Impedance	Z _{out}	1400	—	3000	Ω
Response Time ⁽⁶⁾ (10% to 90%)	t _R	—	1.0	—	ms
Warm-up Time ⁽⁷⁾	—	—	20	—	ms
Offset Stability ⁽⁸⁾	—	—	±0.5	—	%V _{FSS}

MECHANICAL CHARACTERISTICS

Characteristic	Symbol	Min	Typ	Max	Unit
Weight, Basic Element	—	—	2.0	—	Grams

NOTES:

- 1.0 kPa (kiloPascal) equals 0.145 psi.
- Device is ratiometric within this specified excitation range. Operating the device above the specified excitation range may induce additional error due to device self-heating.
- Offset (V_{off}) is defined as the output voltage at the minimum rated pressure.
- Full Scale Span (V_{FSS}) is defined as the algebraic difference between the output voltage at full rated pressure and the output voltage at the minimum rated pressure.
- Accuracy (error budget) consists of the following:
 - Linearity: Output deviation from a straight line relationship with pressure over the specified pressure range.
 - Temperature Hysteresis: Output deviation at any temperature within the operating temperature range, after the temperature is cycled to and from the minimum or maximum operating temperature points, with zero differential pressure applied.
 - Pressure Hysteresis: Output deviation at any pressure within the specified range, when this pressure is cycled to and from the minimum or maximum rated pressure, at 25°C.
 - TcSpan: Output deviation over the temperature range of 0 to 85°C, relative to 25°C.
 - TcOffset: Output deviation with minimum rated pressure applied, over the temperature range of 0 to 85°C, relative to 25°C.
 - Variation from Nominal: The variation from nominal values, for Offset or Full Scale Span, as a percent of V_{FSS}, at 25°C.
- Response Time is defined as the time for the incremental change in the output to go from 10% to 90% of its final value when subjected to a specified step change in pressure.
- Warm-up is defined as the time required for the product to meet the specified output voltage after the Pressure has been stabilized.
- Offset stability is the product's output deviation when subjected to 1000 hours of Pulsed Pressure, Temperature Cycling with Bias Test.
- Exposure beyond these limits may cause permanent damage or degradation to the device.

ON-CHIP TEMPERATURE COMPENSATION and CALIBRATION

Figure 2 shows the output characteristics of the MPXT2010 series at 25°C. The output is directly proportional to the differential pressure and is essentially a straight line.

The effects of temperature on full scale span and offset are small and are shown under Operating Characteristics.

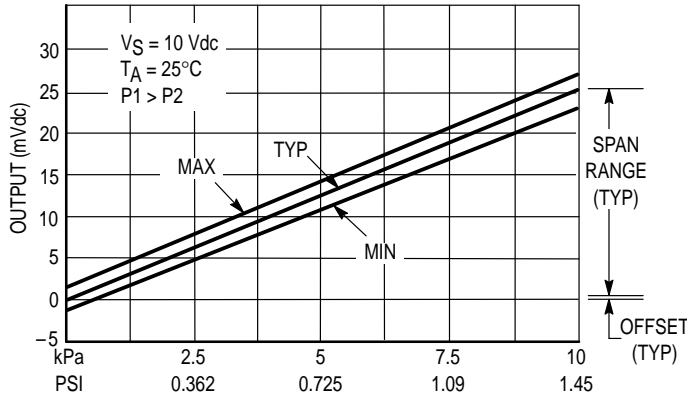


Figure 2. Output versus Pressure Differential

Figure 3 illustrates the differential/gauge die in the basic chip carrier (Case 473). A silicone gel isolates the die surface and wire bonds from the environment, while allowing the pressure signal to be transmitted to the silicon diaphragm.

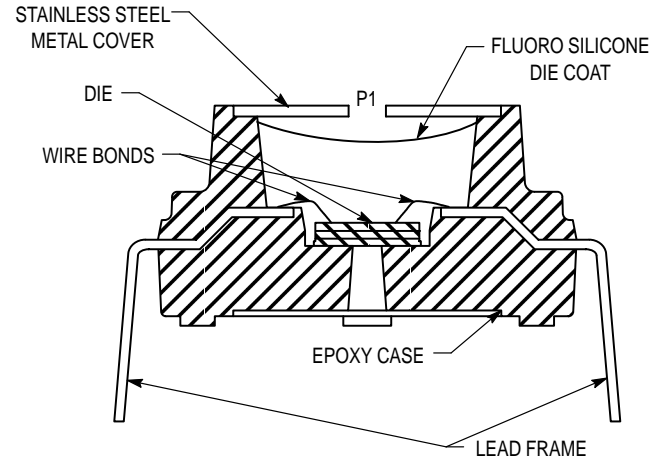


Figure 3. Cross-Sectional Diagram (not to scale)

The MPXT2010 series pressure sensor operating characteristics, internal reliability and qualification tests are based on use of dry air as the pressure media. Media other than dry

air may have adverse effects on sensor performance and long term reliability. Contact the factory for information regarding media compatibility in your application.

LINEARITY

Linearity refers to how well a transducer's output follows the equation: $V_{out} = V_{off} + (\text{sensitivity} \times P)$ over the operating pressure range. There are two basic methods for calculating nonlinearity: (1) end-point straight line fit, or (2) a least squares best line fit (see Figure 4).

When calculating linearity, Motorola uses the end-point straight line fit. This method measures the two end and the mid range pressure points and compares to ideal. This typically represents the "worst case" error which is often more desirable for the customers when calculating an error budget in their designs.

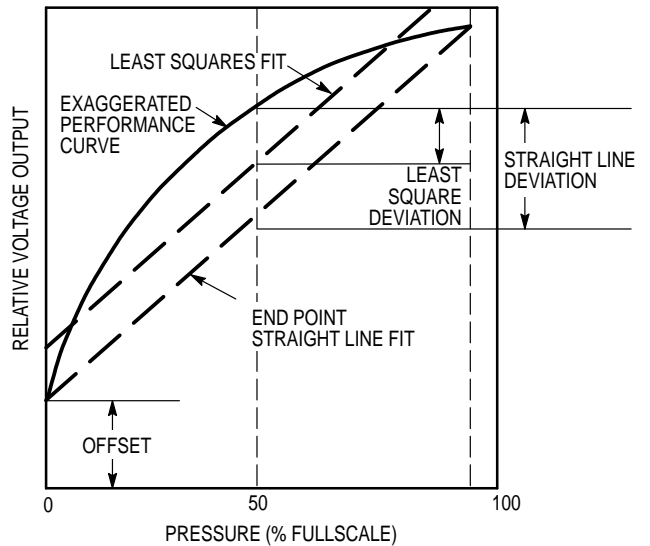


Figure 4. Linearity Specification Comparison

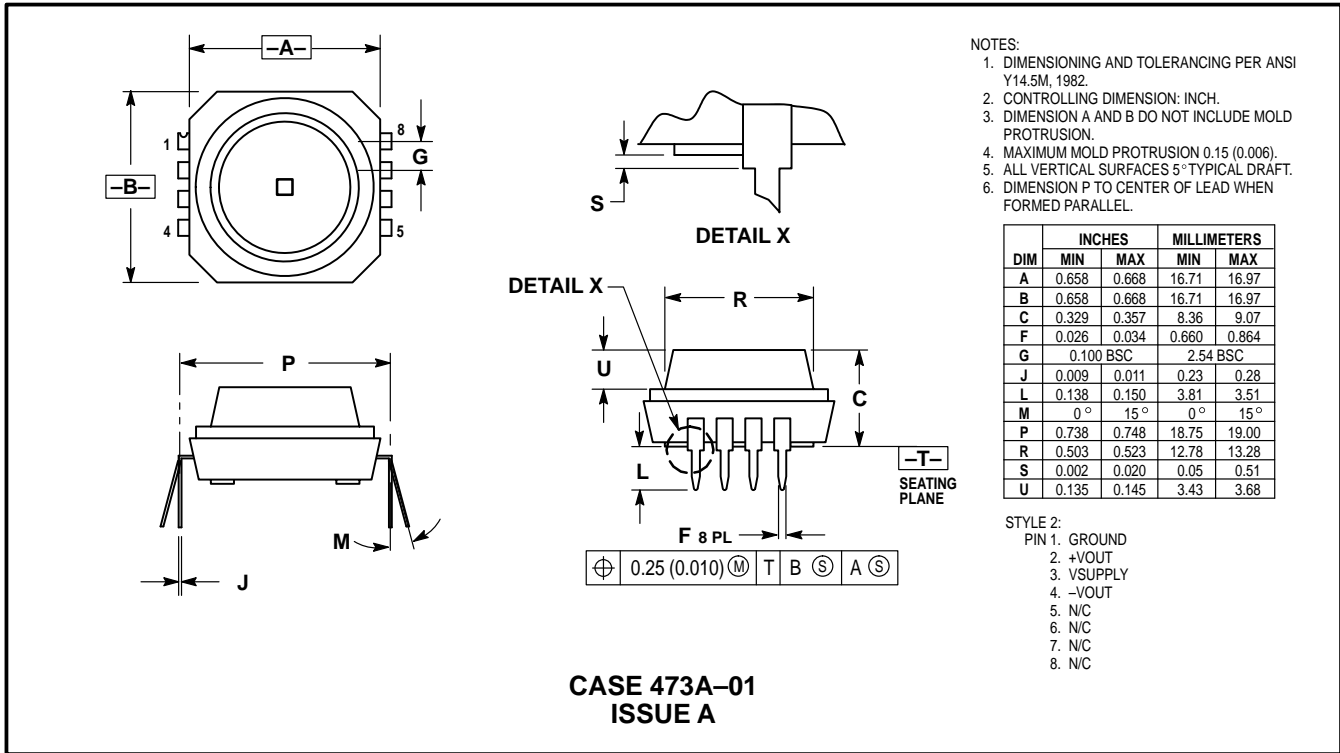
ORDERING INFORMATION

The MPXT2010G7U pressure sensor is available to be shipped in Rails.

Packing Options	Port Options	Leadform	Case No.	MPXS Series Order No.	Marking
Rails	Element	84 degree	473A-01	MPXT2010G7U	MPXT2010G

MPXT2010 SERIES

PACKAGE DIMENSIONS



Motorola reserves the right to make changes without further notice to any products herein. Motorola makes no warranty, representation or guarantee regarding the suitability of its products for any particular purpose, nor does Motorola assume any liability arising out of the application or use of any product or circuit, and specifically disclaims any and all liability, including without limitation consequential or incidental damages. "Typical" parameters which may be provided in Motorola data sheets and/or specifications can and do vary in different applications and actual performance may vary over time. All operating parameters, including "Typicals" must be validated for each customer application by customer's technical experts. Motorola does not convey any license under its patent rights nor the rights of others. Motorola products are not designed, intended, or authorized for use as components in systems intended for surgical implant into the body, or other applications intended to support or sustain life, or for any other application in which the failure of the Motorola product could create a situation where personal injury or death may occur. Should Buyer purchase or use Motorola products for any such unintended or unauthorized application, Buyer shall indemnify and hold Motorola and its officers, employees, subsidiaries, affiliates, and distributors harmless against all claims, costs, damages, and expenses, and reasonable attorney fees arising out of, directly or indirectly, any claim of personal injury or death associated with such unintended or unauthorized use, even if such claim alleges that Motorola was negligent regarding the design or manufacture of the part. Motorola and are registered trademarks of Motorola, Inc. Motorola, Inc. is an Equal Opportunity/Affirmative Action Employer.

Mfax is a trademark of Motorola, Inc.

How to reach us:

USA/EUROPE/Locations Not Listed: Motorola Literature Distribution; P.O. Box 5405, Denver, Colorado 80217. 303-675-2140 or 1-800-441-2447

JAPAN: Nippon Motorola Ltd.; Tatsumi-SPD-JLDC, 6F Seibu-Butsuryu-Center, 3-14-2 Tatsumi Koto-Ku, Tokyo 135, Japan. 81-3-3521-8315

Mfax™: RMFA00@email.sps.mot.com – TOUCHTONE 602-244-6609
– US & Canada ONLY 1-800-774-1848

ASIA/PACIFIC: Motorola Semiconductors H.K. Ltd.; 8B Tai Ping Industrial Park, 51 Ting Kok Road, Tai Po, N.T., Hong Kong. 852-26629298

INTERNET: <http://motorola.com/sps>

