



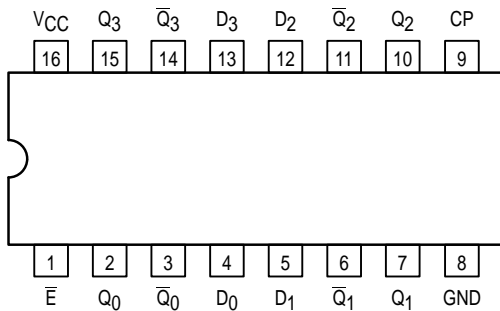
QUAD PARALLEL REGISTER

The MC54/74F379 is a 4-bit register with a buffered common enable. This device is similar to the F175 but features the common Enable rather than common Master Reset.

The F379 consists of four edge-triggered D-type flip-flops with individual D inputs and Q and \bar{Q} outputs. The Clock (CP) and Enable (\bar{E}) inputs are common to all flip-flops. When \bar{E} is HIGH, the register will retain the present data independent of the CP input. The Dn and \bar{E} inputs can change when the clock is in either state, provided that the recommended setup and hold times are observed. This circuit is designed to prevent false clocking by transitions on the \bar{E} input.

- Edge-Triggered D-Type Inputs
- Buffered Positive Edge-Triggered Clock
- Buffered Common Enable Input
- True and Complement Outputs

CONNECTION DIAGRAM (TOP VIEW)



FUNCTION TABLE

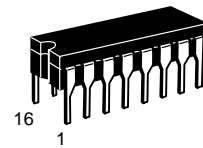
Inputs			Outputs	
\bar{E}	CP	D _n	Q _n	\bar{Q}_n
H		X	NC	NC
L		H	H	L
L		L	L	H

H = HIGH Voltage Level
 L = LOW Voltage Level
 X = Don't Care
 NC = No Change

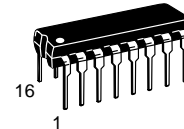
MC54/74F379

QUAD PARALLEL REGISTER WITH ENABLE

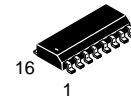
FAST™ SCHOTTKY TTL



J SUFFIX
 CERAMIC
 CASE 620-09



N SUFFIX
 PLASTIC
 CASE 648-08

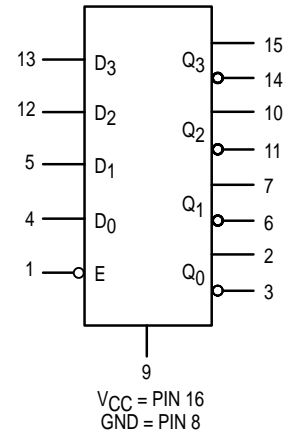


D SUFFIX
 SOIC
 CASE 751B-03

ORDERING INFORMATION

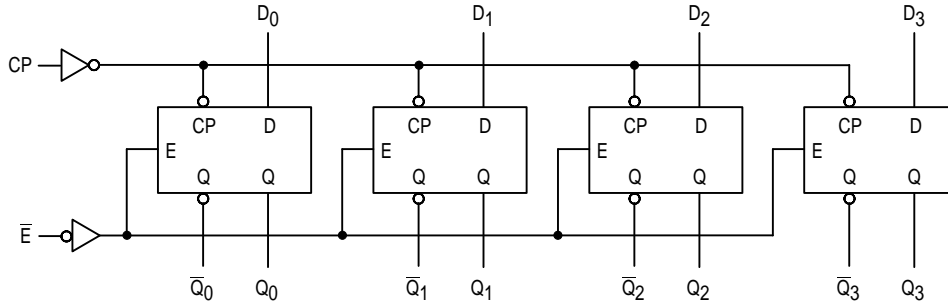
MC54FXXXJ Ceramic
 MC74FXXXN Plastic
 MC74FXXXD SOIC

LOGIC SYMBOL



MC54/74F379

LOGIC DIAGRAM



GUARANTEED OPERATING RANGES

Symbol	Parameter		Min	Typ	Max	Unit
V _{CC}	Supply Voltage	54, 74	4.5	5.0	5.5	V
T _A	Operating Ambient Temperature Range	54	-55	25	125	°C
		74	0	25	70	
I _{OH}	Output Current — HIGH	54, 74			-1.0	mA
I _{OL}	Output Current — LOW	54, 74			20	mA

DC CHARACTERISTICS OVER OPERATING TEMPERATURE RANGE (unless otherwise specified)

Symbol	Parameter	Limits			Unit	Test Conditions
		Min	Typ	Max		
V _{IH}	Input HIGH Voltage	2.0			V	Guaranteed Input HIGH Voltage
V _{IL}	Input LOW Voltage			0.8	V	Guaranteed Input LOW Voltage
V _{IK}	Input Clamp Diode Voltage			-1.2	V	V _{CC} = MIN, I _{IJN} = -18 mA
V _{OH}	Output HIGH Voltage	54, 74	2.5		V	I _{OL} = -1.0 mA, V _{CC} = 4.5 V
		74	2.7		V	I _{OL} = -1.0 mA, V _{CC} = 4.75 V
V _{OL}	Output LOW Voltage			0.5	V	I _{OL} = 20 mA, V _{CC} = MIN
I _{IH}	Input HIGH Current			20	μA	V _{CC} = MAX, V _{IN} = 2.7 V
				0.1	mA	V _{CC} = MAX, V _{IN} = 7.0 V
I _{IL}	Input LOW Current			-0.6	mA	V _{CC} = MAX, V _{IN} = 0.5 V
I _{OS}	Output Short Circuit Current (Note 2)	-60		-150	mA	V _{CC} = MAX, V _{OUT} = 0 V
I _{CC}	Power Supply Current		28	40	mA	V _{CC} = MAX, D = E-bar = GND, CP = ⎓

NOTES:

- For conditions shown as MIN or MAX, use the appropriate value specified under recommended operating conditions for the applicable device type.
- Not more than one output should be shorted at a time, nor for more than 1 second.

MC54/74F379

AC CHARACTERISTICS

Symbol	Parameter	54/74F			54F		74F		Unit
		T _A = +25°C V _{CC} = 5.0 V C _L = 50 pF			T _A = -55°C to +125°C V _{CC} = 5.0 V ± 10% C _L = 50 pF		T _A = 0°C to +70°C V _{CC} = 5.0 V ± 10% C _L = 50 pF		
		Min	Typ	Max	Min	Max	Min	Max	
f _{max}	Maximum Clock Frequency	100	140		90		100		MHz
t _{PLH}	Propagation Delay	3.5	5.0	6.5	3.5	8.5	3.5	7.5	ns
t _{PHL}	CP to Q _n , \bar{Q}_n	5.0	6.5	8.5	5.0	10.5	5.0	9.5	

AC OPERATING REQUIREMENTS

Symbol	Parameter	54/74F			54F		74F		Unit
		T _A = +25°C V _{CC} = 5.0 V			T _A = -55°C to +125°C V _{CC} = 5.0 V ± 10%		T _A = 0°C to +70°C V _{CC} = 5.0 V ± 10%		
		Min	Typ	Max	Min	max	Min	Max	
t _S (H)	Setup Time, HIGH or LOW	3.0			3.0		3.0		ns
t _S (L)	D _n to CP	3.0			3.0		3.0		
t _H (H)	Hold Time, HIGH or LOW	1.0			1.0		1.0		
t _H (L)	D _n to CP	1.0			1.0		1.0		ns
t _S (H)	Setup Time, HIGH or LOW	6.0			6.0		6.0		
t _S (L)	\bar{E} to CP	6.0			6.0		6.0		
t _H (H)	Hold Time, HIGH or LOW	2.0			2.0		2.0		ns
t _H (L)	\bar{E} to CP	2.0			2.0		2.0		
t _W (H)	CP Pulse Width, HIGH or LOW	4.0			4.0		4.0		ns
t _W (L)		5.0			5.0		5.0		