

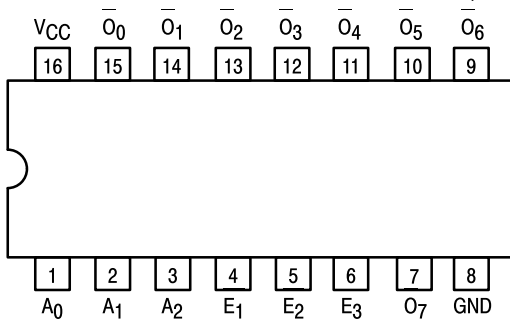


# 1-OF-8 DECODER/ DEMULTIPLEXER

The LSTTL/MSI SN54/74LS138 is a high speed 1-of-8 Decoder/Demultiplexer. This device is ideally suited for high speed bipolar memory chip select address decoding. The multiple input enables allow parallel expansion to a 1-of-24 decoder using just three LS138 devices or to a 1-of-32 decoder using four LS138s and one inverter. The LS138 is fabricated with the Schottky barrier diode process for high speed and is completely compatible with all Motorola TTL families.

- Demultiplexing Capability
- Multiple Input Enable for Easy Expansion
- Typical Power Dissipation of 32 mW
- Active Low Mutually Exclusive Outputs
- Input Clamp Diodes Limit High Speed Termination Effects

**CONNECTION DIAGRAM DIP (TOP VIEW)**



NOTE:  
The Flatpak version has the same pinouts (Connection Diagram) as the Dual In-Line Package.

**PIN NAMES**

$A_0$ – $A_2$  Address Inputs  
 $E_1, E_2$  Enable (Active LOW) Inputs  
 $E_3$  Enable (Active HIGH) Input  
 $O_0$ – $O_7$  Active LOW Outputs (Note b)

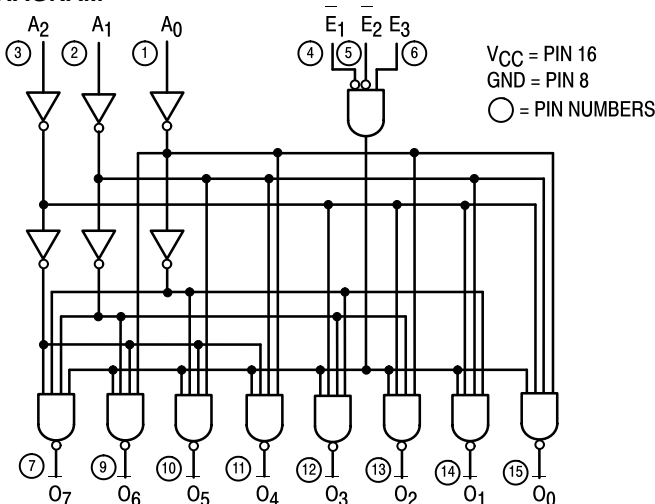
**LOADING (Note a)**

|               | HIGH     | LOW          |
|---------------|----------|--------------|
| $A_0$ – $A_2$ | 0.5 U.L. | 0.25 U.L.    |
| $E_1, E_2$    | 0.5 U.L. | 0.25 U.L.    |
| $E_3$         | 0.5 U.L. | 0.25 U.L.    |
| $O_0$ – $O_7$ | 10 U.L.  | 5 (2.5) U.L. |

**NOTES:**

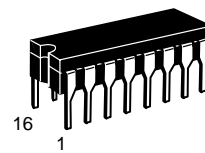
- a) 1 TTL Unit Load (U.L.) = 40  $\mu$ A HIGH/1.6 mA LOW.  
 b) The Output LOW drive factor is 2.5 U.L. for Military (54) and 5 U.L. for Commercial (74) Temperature Ranges.

**LOGIC DIAGRAM**

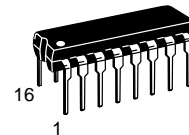


## SN54/74LS138

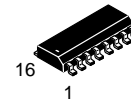
### 1-OF-8 DECODER/ DEMULTIPLEXER LOW POWER SCHOTTKY



**J SUFFIX**  
CERAMIC  
CASE 620-09



**N SUFFIX**  
PLASTIC  
CASE 648-08

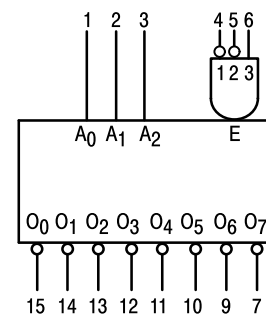


**D SUFFIX**  
SOIC  
CASE 751B-03

**ORDERING INFORMATION**

SN54LSXXXJ Ceramic  
 SN74LSXXXN Plastic  
 SN74LSXXXD SOIC

**LOGIC SYMBOL**



$V_{CC}$  = PIN 16  
 $GND$  = PIN 8

# SN54/74LS138

## FUNCTIONAL DESCRIPTION

The LS138 is a high speed 1-of-8 Decoder/Demultiplexer fabricated with the low power Schottky barrier diode process. The decoder accepts three binary weighted inputs ( $A_0, A_1, A_2$ ) and when enabled provides eight mutually exclusive active LOW Outputs ( $O_0 - O_7$ ). The LS138 features three Enable inputs, two active LOW ( $E_1, E_2$ ) and one active HIGH ( $E_3$ ). All outputs will be HIGH unless  $E_1$  and  $E_2$  are LOW and  $E_3$  is HIGH. This multiple enable function allows easy parallel ex-

pansion of the device to a 1-of-32 (5 lines to 32 lines) decoder with just four LS138s and one inverter. (See Figure a.)

The LS138 can be used as an 8-output demultiplexer by using one of the active LOW Enable inputs as the data input and the other Enable inputs as strobes. The Enable inputs which are not used must be permanently tied to their appropriate active HIGH or active LOW state.

TRUTH TABLE

| INPUTS           |                  |       |       |       |       | OUTPUTS |       |       |       |       |       |       |       |
|------------------|------------------|-------|-------|-------|-------|---------|-------|-------|-------|-------|-------|-------|-------|
| $\overline{E_1}$ | $\overline{E_2}$ | $E_3$ | $A_0$ | $A_1$ | $A_2$ | $O_0$   | $O_1$ | $O_2$ | $O_3$ | $O_4$ | $O_5$ | $O_6$ | $O_7$ |
| H                | X                | X     | X     | X     | X     | H       | H     | H     | H     | H     | H     | H     | H     |
| X                | H                | X     | X     | X     | X     | H       | H     | H     | H     | H     | H     | H     | H     |
| X                | X                | L     | X     | X     | X     | H       | H     | H     | H     | H     | H     | H     | H     |
| L                | L                | H     | L     | L     | L     | L       | H     | H     | H     | H     | H     | H     | H     |
| L                | L                | H     | H     | L     | L     | H       | L     | H     | H     | H     | H     | H     | H     |
| L                | L                | H     | L     | H     | L     | H       | H     | L     | H     | H     | H     | H     | H     |
| L                | L                | H     | H     | H     | L     | H       | H     | H     | L     | H     | H     | H     | H     |
| L                | L                | H     | L     | L     | H     | H       | H     | H     | H     | L     | H     | H     | H     |
| L                | L                | H     | H     | L     | H     | H       | H     | H     | H     | H     | L     | H     | H     |
| L                | L                | H     | L     | H     | H     | H       | H     | H     | H     | H     | H     | L     | H     |
| L                | L                | H     | H     | H     | H     | H       | H     | H     | H     | H     | H     | H     | L     |

H = HIGH Voltage Level  
L = LOW Voltage Level  
X = Don't Care

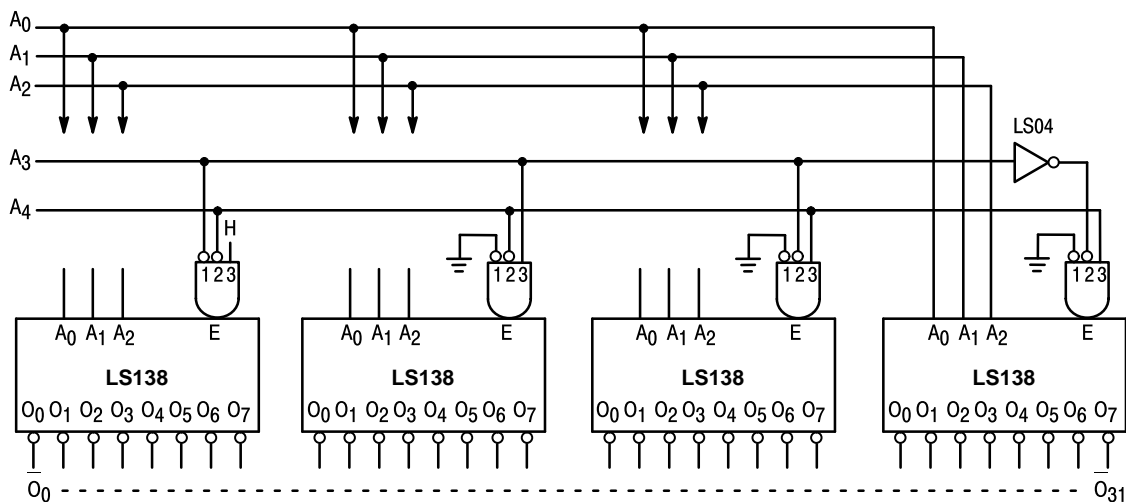


Figure a

# SN54/74LS138

## GUARANTEED OPERATING RANGES

| Symbol          | Parameter                           |        | Min  | Typ | Max  | Unit |
|-----------------|-------------------------------------|--------|------|-----|------|------|
| V <sub>CC</sub> | Supply Voltage                      | 54     | 4.5  | 5.0 | 5.5  | V    |
|                 |                                     | 74     | 4.75 | 5.0 | 5.25 |      |
| T <sub>A</sub>  | Operating Ambient Temperature Range | 54     | -55  | 25  | 125  | °C   |
|                 |                                     | 74     | 0    | 25  | 70   |      |
| I <sub>OH</sub> | Output Current — High               | 54, 74 |      |     | -0.4 | mA   |
| I <sub>OL</sub> | Output Current — Low                | 54     |      |     | 4.0  | mA   |
|                 |                                     | 74     |      |     | 8.0  |      |

## DC CHARACTERISTICS OVER OPERATING TEMPERATURE RANGE (unless otherwise specified)

| Symbol          | Parameter                      | Limits |       |      | Unit | Test Conditions                                                                                                    |                                                                                                                                         |
|-----------------|--------------------------------|--------|-------|------|------|--------------------------------------------------------------------------------------------------------------------|-----------------------------------------------------------------------------------------------------------------------------------------|
|                 |                                | Min    | Typ   | Max  |      |                                                                                                                    |                                                                                                                                         |
| V <sub>IH</sub> | Input HIGH Voltage             | 2.0    |       |      | V    | Guaranteed Input HIGH Voltage for All Inputs                                                                       |                                                                                                                                         |
| V <sub>IL</sub> | Input LOW Voltage              | 54     |       | 0.7  | V    | Guaranteed Input LOW Voltage for All Inputs                                                                        |                                                                                                                                         |
|                 |                                | 74     |       | 0.8  |      |                                                                                                                    |                                                                                                                                         |
| V <sub>IK</sub> | Input Clamp Diode Voltage      |        | -0.65 | -1.5 | V    | V <sub>CC</sub> = MIN, I <sub>IN</sub> = -18 mA                                                                    |                                                                                                                                         |
| V <sub>OH</sub> | Output HIGH Voltage            | 54     | 2.5   | 3.5  | V    | V <sub>CC</sub> = MIN, I <sub>OH</sub> = MAX, V <sub>IN</sub> = V <sub>IH</sub> or V <sub>IL</sub> per Truth Table |                                                                                                                                         |
|                 |                                | 74     | 2.7   | 3.5  | V    |                                                                                                                    |                                                                                                                                         |
| V <sub>OL</sub> | Output LOW Voltage             | 54, 74 |       | 0.25 | 0.4  | V                                                                                                                  | I <sub>OL</sub> = 4.0 mA<br>V <sub>CC</sub> = V <sub>CC</sub> MIN, V <sub>IN</sub> = V <sub>IL</sub> or V <sub>IH</sub> per Truth Table |
|                 |                                | 74     |       | 0.35 | 0.5  | V                                                                                                                  |                                                                                                                                         |
| I <sub>IH</sub> | Input HIGH Current             |        |       | 20   | μA   | V <sub>CC</sub> = MAX, V <sub>IN</sub> = 2.7 V                                                                     |                                                                                                                                         |
|                 |                                |        |       | 0.1  | mA   | V <sub>CC</sub> = MAX, V <sub>IN</sub> = 7.0 V                                                                     |                                                                                                                                         |
| I <sub>IL</sub> | Input LOW Current              |        |       | -0.4 | mA   | V <sub>CC</sub> = MAX, V <sub>IN</sub> = 0.4 V                                                                     |                                                                                                                                         |
| I <sub>OS</sub> | Short Circuit Current (Note 1) | -20    |       | -100 | mA   | V <sub>CC</sub> = MAX                                                                                              |                                                                                                                                         |
| I <sub>CC</sub> | Power Supply Current           |        |       | 10   | mA   | V <sub>CC</sub> = MAX                                                                                              |                                                                                                                                         |

Note 1: Not more than one output should be shorted at a time, nor for more than 1 second.

## AC CHARACTERISTICS (T<sub>A</sub> = 25°C)

| Symbol                               | Parameter                                                              | Levels of Delay | Limits |          |          | Unit | Test Conditions                                   |
|--------------------------------------|------------------------------------------------------------------------|-----------------|--------|----------|----------|------|---------------------------------------------------|
|                                      |                                                                        |                 | Min    | Typ      | Max      |      |                                                   |
| t <sub>PLH</sub><br>t <sub>PHL</sub> | Propagation Delay<br>Address to Output                                 | 2<br>2          |        | 13<br>27 | 20<br>41 | ns   | V <sub>CC</sub> = 5.0 V<br>C <sub>L</sub> = 15 pF |
| t <sub>PLH</sub><br>t <sub>PHL</sub> | Propagation Delay<br>Address to Output                                 | 3<br>3          |        | 18<br>26 | 27<br>39 |      |                                                   |
| t <sub>PLH</sub><br>t <sub>PHL</sub> | Propagation Delay E <sub>1</sub> or E <sub>2</sub><br>Enable to Output | 2<br>2          |        | 12<br>21 | 18<br>32 |      |                                                   |
| t <sub>PLH</sub><br>t <sub>PHL</sub> | Propagation Delay E <sub>3</sub><br>Enable to Output                   | 3<br>3          |        | 17<br>25 | 26<br>38 |      |                                                   |

## AC WAVEFORMS

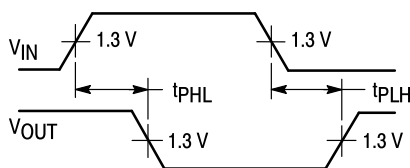


Figure 1

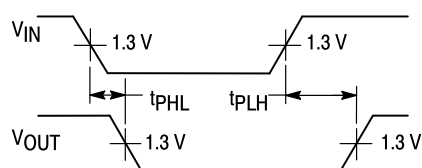


Figure 2

**Case 751B-03 D Suffix  
16-Pin Plastic  
SO-16**



- NOTES:
1. DIMENSIONING AND TOLERANCING PER ANSI Y14.5M, 1982.
  2. CONTROLLING DIMENSION: MILLIMETER.
  3. DIMENSION A AND B DO NOT INCLUDE MOLD PROTRUSION.
  4. MAXIMUM MOLD PROTRUSION 0.15 (0.006) PER SIDE.
  5. 751B-01 IS OBSOLETE, NEW STANDARD 751B-03.

| DIM | MILLIMETERS |       | INCHES    |       |
|-----|-------------|-------|-----------|-------|
|     | MIN         | MAX   | MIN       | MAX   |
| A   | 9.80        | 10.00 | 0.386     | 0.393 |
| B   | 3.80        | 4.00  | 0.150     | 0.157 |
| C   | 1.35        | 1.75  | 0.054     | 0.068 |
| D   | 0.35        | 0.49  | 0.014     | 0.019 |
| F   | 0.40        | 1.25  | 0.016     | 0.049 |
| G   | 1.27 BSC    |       | 0.050 BSC |       |
| J   | 0.19        | 0.25  | 0.008     | 0.009 |
| K   | 0.10        | 0.25  | 0.004     | 0.009 |
| M   | 0°          | 7°    | 0°        | 7°    |
| P   | 5.80        | 6.20  | 0.229     | 0.244 |
| R   | 0.25        | 0.50  | 0.010     | 0.019 |

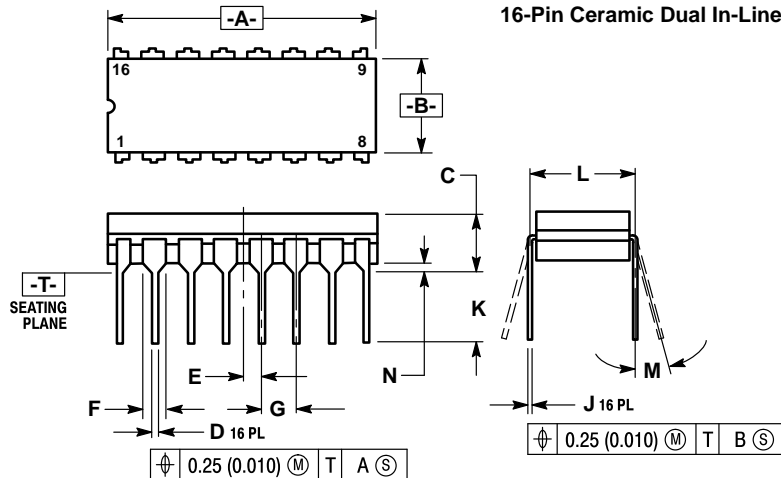
**Case 648-08 N Suffix  
16-Pin Plastic**



- NOTES:
1. DIMENSIONING AND TOLERANCING PER ANSI Y14.5M, 1982.
  2. CONTROLLING DIMENSION: INCH.
  3. DIMENSION "L" TO CENTER OF LEADS WHEN FORMED PARALLEL.
  4. DIMENSION "B" DOES NOT INCLUDE MOLD FLASH.
  5. ROUNDED CORNERS OPTIONAL.
  6. 648-01 THRU -07 OBSOLETE, NEW STANDARD 648-08.

| DIM | MILLIMETERS |       | INCHES    |       |
|-----|-------------|-------|-----------|-------|
|     | MIN         | MAX   | MIN       | MAX   |
| A   | 18.80       | 19.55 | 0.740     | 0.770 |
| B   | 6.35        | 6.85  | 0.250     | 0.270 |
| C   | 3.69        | 4.44  | 0.145     | 0.175 |
| D   | 0.39        | 0.53  | 0.015     | 0.021 |
| F   | 1.02        | 1.77  | 0.040     | 0.070 |
| G   | 2.54 BSC    |       | 0.100 BSC |       |
| H   | 1.27 BSC    |       | 0.050 BSC |       |
| J   | 0.21        | 0.38  | 0.008     | 0.015 |
| K   | 2.80        | 3.30  | 0.110     | 0.130 |
| L   | 7.50        | 7.74  | 0.295     | 0.305 |
| M   | 0°          | 10°   | 0°        | 10°   |
| S   | 0.51        | 1.01  | 0.020     | 0.040 |

**Case 620-09 J Suffix  
16-Pin Ceramic Dual In-Line**



- NOTES:
1. DIMENSIONING AND TOLERANCING PER ANSI Y14.5M, 1982.
  2. CONTROLLING DIMENSION: INCH.
  3. DIMENSION L TO CENTER OF LEAD WHEN FORMED PARALLEL.
  4. DIM F MAY NARROW TO 0.76 (0.030) WHERE THE LEAD ENTERS THE CERAMIC BODY.
  5. 620-01 THRU -08 OBSOLETE, NEW STANDARD 620-09.

| DIM | MILLIMETERS |       | INCHES    |       |
|-----|-------------|-------|-----------|-------|
|     | MIN         | MAX   | MIN       | MAX   |
| A   | 19.05       | 19.55 | 0.750     | 0.770 |
| B   | 6.10        | 7.36  | 0.240     | 0.290 |
| C   | —           | 4.19  | —         | 0.165 |
| D   | 0.39        | 0.53  | 0.015     | 0.021 |
| E   | 1.27 BSC    |       | 0.050 BSC |       |
| F   | 1.40        | 1.77  | 0.055     | 0.070 |
| G   | 2.54 BSC    |       | 0.100 BSC |       |
| J   | 0.23        | 0.27  | 0.009     | 0.011 |
| K   | —           | 5.08  | —         | 0.200 |
| L   | 7.62 BSC    |       | 0.300 BSC |       |
| M   | 0°          | 15°   | 0°        | 15°   |
| N   | 0.39        | 0.88  | 0.015     | 0.035 |

Motorola reserves the right to make changes without further notice to any products herein. Motorola makes no warranty, representation or guarantee regarding the suitability of its products for any particular purpose, nor does Motorola assume any liability arising out of the application or use of any product or circuit, and specifically disclaims any and all liability, including without limitation consequential or incidental damages. "Typical" parameters can and do vary in different applications. All operating parameters, including "Typicals" must be validated for each customer application by customer's technical experts. Motorola does not convey any license under its patent rights nor the rights of others. Motorola products are not designed, intended, or authorized for use as components in systems intended for surgical implant into the body, or other applications intended to support or sustain life, or for any other application in which the failure of the Motorola product could create a situation where personal injury or death may occur. Should Buyer purchase or use Motorola products for any such unintended or unauthorized application, Buyer shall indemnify and hold Motorola and its officers, employees, subsidiaries, affiliates, and distributors harmless against all claims, costs, damages, and expenses, and reasonable attorney fees arising out of, directly or indirectly, any claim of personal injury or death associated with such unintended or unauthorized use, even if such claim alleges that Motorola was negligent regarding the design or manufacture of the part. Motorola and  are registered trademarks of Motorola, Inc. Motorola, Inc. is an Equal Opportunity/Affirmative Action Employer.

**Literature Distribution Centers:**

USA: Motorola Literature Distribution; P.O. Box 20912; Phoenix, Arizona 85036.

EUROPE: Motorola Ltd.; European Literature Centre; 88 Tanners Drive, Blakelands, Milton Keynes, MK14 5BP, England.

JAPAN: Nippon Motorola Ltd.; 4-32-1, Nishi-Gotanda, Shinagawa-ku, Tokyo 141, Japan.

ASIA PACIFIC: Motorola Semiconductors H.K. Ltd.; Silicon Harbour Center, No. 2 Dai King Street, Tai Po Industrial Estate, Tai Po, N.T., Hong Kong.

