

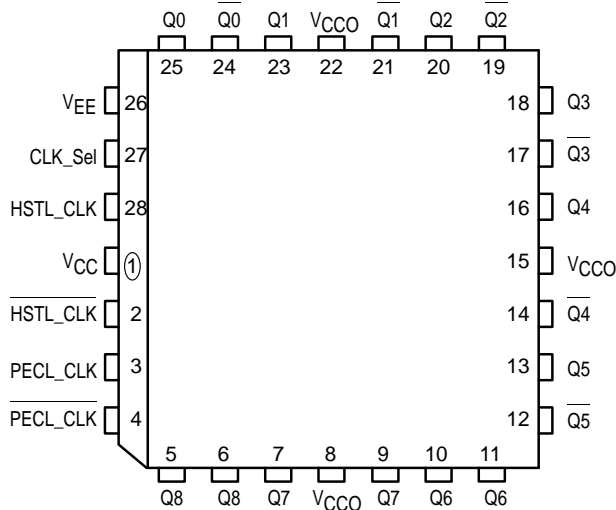
Low-Voltage 1:9 Differential ECL/HSTL to HSTL Clock Driver

The MPC9111 is a low skew 1-to-9 differential HSTL compatible output fanout buffer. The device is functionally equivalent to the MC100LVE111 device. The device accepts either LVPECL or HSTL compatible input levels and provides 9 low skew differential HSTL compatible outputs. The device operates from a single 3.3V V_{CC} supply.

- 800ps Part-to-Part Skew
- 250ps Output-to-Output Skew
- Open Emitter HSTL Compatible Outputs
- Differential Design
- 28-Lead PLCC
- 3.3V V_{CC}

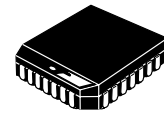
The MPC911 HSTL outputs are not realized in the conventional manner. To minimize part-to-part and output-to-output skew the HSTL compatible output levels are generated with an open emitter architecture. The outputs are pulled down with 50Ω to ground rather than the typical 50Ω to V_{DDQ} pullup of a "standard" HSTL output. Because the HSTL outputs are pulled to ground the MPC911 does not utilize the V_{DDQ} supply of the HSTL standard. The output levels are derived from V_{CC}, an internal regulator minimizes the output level variation with V_{CC} variations.

Pinout: 28-Lead PLCC (Top View)



MPC911

LOW-VOLTAGE 1:9 DIFFERENTIAL ECL/HSTL TO HSTL CLOCK DRIVER



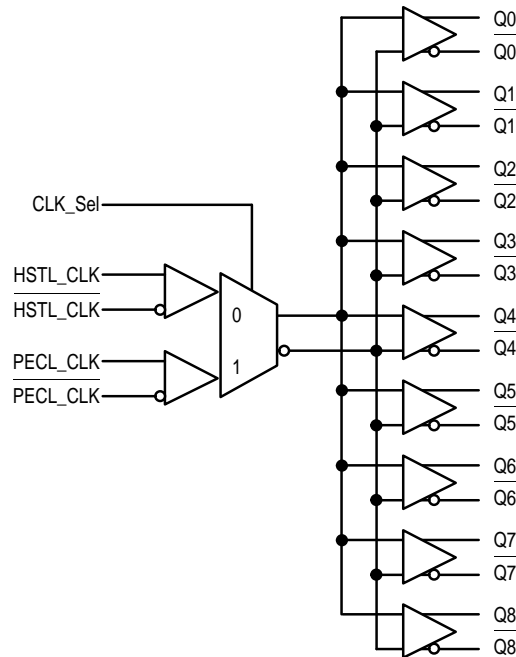
FN SUFFIX
PLASTIC PACKAGE
CASE 776-02

PIN NAMES

Pins	Function
HSTL_CLK, HSTL_CLK	Differential HSTL Input
PECL_CLK, PECL_CLK	Differential PECL Input
Q0-Q8, Q0-Q8	Differential Outputs



LOGIC SYMBOL



HSTL DC CHARACTERISTICS

Symbol	Characteristic	0°C			25°C			70°C			Unit
		Min	Typ	Max	Min	Typ	Max	Min	Typ	Max	
V _{OH}	Output HIGH Voltage	0.9			0.9			0.9			V
V _{OL}	Output LOW Voltage			0.5			0.5			0.5	V
V _{IH}	Input HIGH Voltage	V _{ref} + 0.10		1.9	V _{ref} + 0.10		1.9	V _{ref} + 0.10		1.9	V
V _{IL}	Input LOW Voltage	-0.3		V _{ref} - 0.10	-0.3		V _{ref} - 0.10	-0.3		V _{ref} - 0.10	V
V _X	Input Crossover Volt	0.68		0.9	0.68		0.9	0.68		0.9	V
V _{ref}	Input Reference Volt	0.68		0.9	0.68	0.75	0.9	0.68		0.9	

LV PECL DC CHARACTERISTICS


Symbol	Characteristic	0°C			25°C			70°C			Unit
		Min	Typ	Max	Min	Typ	Max	Min	Typ	Max	
V _{IH}	Input HIGH Voltage ¹	2.135		2.420	2.135		2.420	2.135		2.420	V
V _{IL}	Input LOW Voltage ¹	1.490		1.825	1.490		1.825	1.490		1.825	V
V _{CC}	Power Supply Voltage	3.0		3.6	3.0		3.6	3.0		3.6	V
I _{IH}	Input HIGH Current			150			150			150	μA
I _{CC}	Power Supply Current			100			100			110	mA

1. These values are for V_{CC} = 3.3V. Level Specifications will vary 1:1 with V_{CC}.

AC CHARACTERISTICS

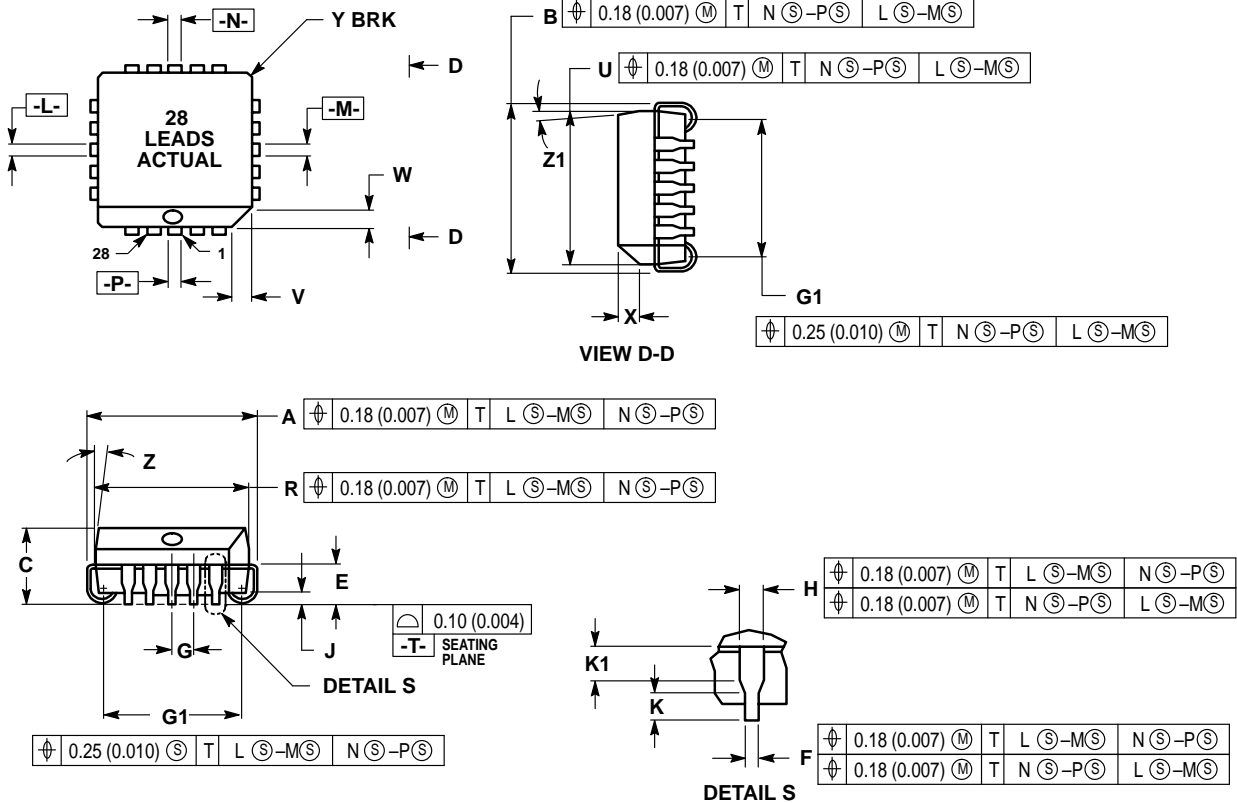
Symbol	Characteristic	0°C			25°C			70°C			Unit	Condition				
		Min	Typ	Max	Min	Typ	Max	Min	Typ	Max						
t _{PLH} t _{PHL}	Propagation Delay to Output IN (differential)	HSTL 1.4	2.0	2.3	PECL 1.3	1.9	2.0	1.6	1.9	2.4	1.8	2.3	2.6	2.3	ns	Note 1
t _{skew}	Within-Device Skew Part-to-Part Skew (Diff)			250 900						250 800			250 800		ps	Note 2
V _{PP}	Minimum Input Swing PECL_CLK	600			600						600				mV	Note 3
V _{CMR}	Common Mode Range PECL_CLK	V _{CC} -1.5		V _{CC} -0.8	V _{CC} -1.5		V _{CC} -0.8	V _{CC} -1.5		V _{CC} -0.8	V _{CC} -1.5		V _{CC} -0.8		V	Note 4
t _r /t _f	Output Rise/Fall Time	500 600	800 1200	1200 1800	500 600	800 1200	1200 1800	500 600	800 1200	1200 1800	500 600	800 1200	1200 1800		ps	20%–80%

1. The differential propagation delay is defined as the delay from the crossing points of the differential input signals to the crossing point of the differential output signals.
2. The within-device skew is defined as the worst case difference between any two similar delay paths within a single device.
3. V_{PP}(min) is defined as the minimum input differential voltage which will cause no increase in the propagation delay. The V_{PP}(min) is AC limited for the MPC911 as a differential input as low as 50 mV will still produce full HSTL levels at the output.
4. V_{CMR} is defined as the range within which the V_{IH} level may vary, with the device still meeting the propagation delay specification. The V_{IL} level must be such that the peak to peak voltage is less than 1.0 V and greater than or equal to V_{PP}(min).

Motorola reserves the right to make changes without further notice to any products herein. Motorola makes no warranty, representation or guarantee regarding the suitability of its products for any particular purpose, nor does Motorola assume any liability arising out of the application or use of any product or circuit, and specifically disclaims any and all liability, including without limitation consequential or incidental damages. "Typical" parameters can and do vary in different applications. All operating parameters, including "Typicals" must be validated for each customer application by customer's technical experts. Motorola does not convey any license under its patent rights nor the rights of others. Motorola products are not designed, intended, or authorized for use as components in systems intended for surgical implant into the body, or other applications intended to support or sustain life, or for any other application in which the failure of the Motorola product could create a situation where personal injury or death may occur. Should Buyer purchase or use Motorola products for any such unintended or unauthorized application, Buyer shall indemnify and hold Motorola and its officers, employees, subsidiaries, affiliates, and distributors harmless against all claims, costs, damages, and expenses, and reasonable attorney fees arising out of, directly or indirectly, any claim of personal injury or death associated with such unintended or unauthorized use, even if such claim alleges that Motorola was negligent regarding the design or manufacture of the part. Motorola and  are registered trademarks of Motorola, Inc. Motorola, Inc. is an Equal Opportunity/Affirmative Action Employer.

OUTLINE DIMENSIONS

FN SUFFIX
PLASTIC PACKAGE
CASE 776-02
ISSUE D



DIM	MILLIMETERS		INCHES	
	MIN	MAX	MIN	MAX
A	12.32	12.57	0.485	0.495
B	12.32	12.57	0.485	0.495
C	4.20	4.57	0.165	0.180
E	2.29	2.79	0.090	0.110
F	0.33	0.48	0.013	0.019
G	1.27 BSC		0.050 BSC	
H	0.66	0.81	0.026	0.032
J	0.51	—	0.020	—
K	0.64	—	0.025	—
R	11.43	11.58	0.450	0.456
U	11.43	11.58	0.450	0.456
V	1.07	1.21	0.042	0.048
W	1.07	1.21	0.042	0.048
X	1.07	1.42	0.042	0.056
Y	—	0.50	—	0.020
Z	2°	10°	2°	10°
G1	10.42	10.92	0.410	0.430
K1	1.02	—	0.040	—
Z1	2°	10°	2°	10°

- NOTES:
1. DUE TO SPACE LIMITATION, CASE 776-02 SHALL BE REPRESENTED BY A GENERAL (SMALLER) CASE OUTLINE DRAWING RATHER THAN SHOWING ALL 28 LEADS.
 2. DATUMS -L-, -M-, -N-, AND -P- DETERMINED WHERE TOP OF LEAD SHOULDER EXIT PLASTIC BODY AT MOLD PARTING LINE.
 3. DIM G1, TRUE POSITION TO BE MEASURED AT DATUM -T-, SEATING PLANE.
 4. DIM R AND U DO NOT INCLUDE MOLD PROTRUSION. ALLOWABLE MOLD PROTRUSION IS 0.25 (0.010) PER SIDE.
 5. DIMENSIONING AND TOLERANCING PER ANSI Y14.5M, 1982.
 6. CONTROLLING DIMENSION: INCH.
 7. 776-01 IS OBSOLETE, NEW STANDARD 776-02.

Literature Distribution Centers:

USA: Motorola Literature Distribution; P.O. Box 20912; Phoenix, Arizona 85036.
 EUROPE: Motorola Ltd.; European Literature Centre; 88 Tanners Drive, Blakelands, Milton Keynes, MK14 5BP, England.
 JAPAN: Nippon Motorola Ltd.; 4-32-1, Nishi-Gotanda, Shinagawa-ku, Tokyo 141 Japan.
 ASIA-PACIFIC: Motorola Semiconductors H.K. Ltd.; Silicon Harbour Center, No. 2 Dai King Street, Tai Po Industrial Estate, Tai Po, N.T., Hong Kong.

