

Dual 3.3V PLL Clock Generator

The MPC980 is a 3.3V dual PLL clock generator targeted for high end Pentium™ and PowerPC™ 603/604 personal computers. The MPC980 synthesizes processor as well as PCI clocks from a 14.31818MHz external crystal. In addition the device provides two buffered outputs of the 14.31818MHz crystal as well as a 40MHz SCSI clock, a 24MHz floppy clock and a 12MHz keyboard clock. One of the buffered 14.31818MHz outputs can be configured to provide a 16MHz output rather than the second copy of the 14.31818MHz output.

- Provides Processor and System Clocks for Pentium™ Designs
- Provides Processor and System Clocks for PowerPC™ 603/604 Designs
- Two Fully Integrated Phase-Locked Loops
- Cycle-to-Cycle Jitter of ± 150 ps
- Operates from 3.3V Supply
- 52-Lead LQFP Packaging

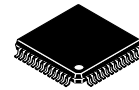
The processor clock outputs of the MPC980 can be programmed to provide 50, 60 or 66MHz. Under all processor output frequencies the PCI clock outputs will be equal to one half the processor clock outputs. The PCI outputs will run synchronously to the processor clock outputs. There are a total of ten output clocks which can be split into a group of four and a group of six. Either group can be configured as processor or PCI clocks. Each of the outputs can drive two series terminated transmission lines allowing for the driving of up to twelve independent processor loads and eight PCI clock loads. A pin selectable option is available to delay the PCI clock outputs relative to the processor clocks. The amount of delay is a function of the processor clock frequency and varies from 2ns to 6ns.

The output jitter of the the PLL at 66MHz output is ± 150 ps peak-to-peak, cycle-to-cycle (the worst case deviation of the clock period is guaranteed to be less than ± 150 ps). The skews between one processor clock and any other processor clock (or one PCI clock to any other PCI clock) is 350ps. The worst case skew between the processor clocks and the PCI clocks is 500ps.

An output enable pin is provided to tristate all of the outputs for board level test. In addition a testing mode is provided to allow for the bypass of the PLL's for board level functional debug.

MPC980

**DUAL 3.3V PLL
CLOCK GENERATOR**



FA SUFFIX
52-LEAD LQFP PACKAGE
CASE 848D-03



MPC980

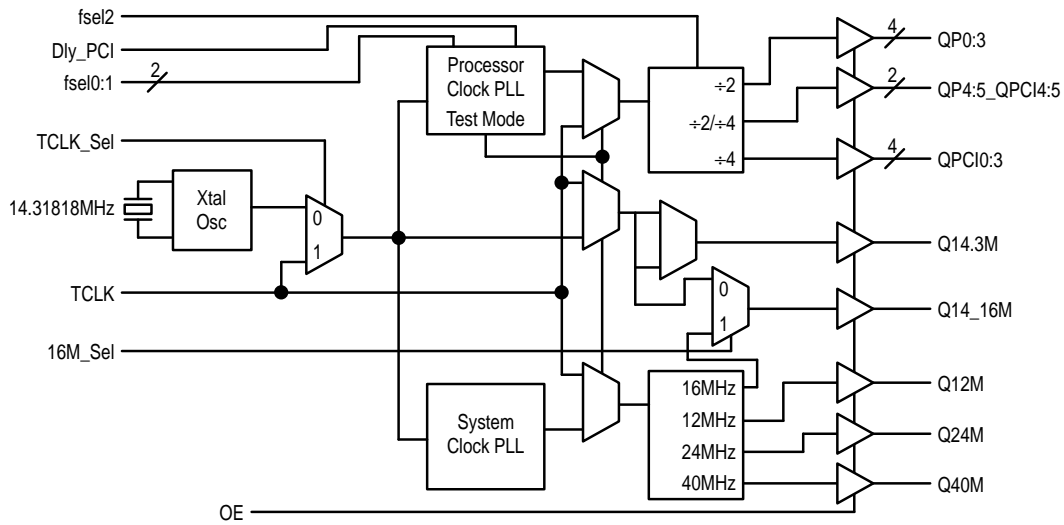


Figure 1. Logic Diagram

Table 1. Pin Descriptions

| Pin | Label | Ω | Description |
|-----|----------|----------|---|
| 1 | VCCA | | Analog VCC for System PLL Use Filter (Note 1.) |
| 2 | TCLK_Sel | ↓ 50K | Sel Ext'l TCLK or Internal Xtal Ref |
| 3 | TCLK | None | External LVCMOS Ref Signal |
| 4 | Xtal1 | None | Xtal Pin 1 |
| 5 | Xtal2 | None | Xtal Pin 2 |
| 6 | GND | | System Ground Input |
| 7 | DLY_PCI | ↓ 50K | Sets QP & QPI Relationship (See Function Table 2 on page 3.) |
| 8 | VCCI | | VCC Pin for Internal Circuits |
| 9 | fsel0 | ↑ 50K | Least Bit for QP/QPI Output Funct (See Function Table 1 on page 3.) |
| 10 | fsel1 | ↓ 50K | Most Bit for QP/QPI Output Function (See Function Table 1 on page 3.) |
| 11 | fsel2 | ↓ 50K | Selection of QP/QPI Output Funct (See Function Table 4 on page 3.) |
| 12 | VCCA | | Analog VCC Proc'ssr PLL Use Filter (Note 1.) |
| 13 | GND | | System Ground Input |
| 14 | 16M_SEL | ↓ 50K | Selects 16MHz / 14MHz for Q14_16M Output |
| 15 | Q14_16M | | Output for 16MHz / 14MHz Xtal Osc |
| 16 | GND0 | | System Ground Input |
| 17 | VCC0 | | VCC in for the CMOS Outputs |
| 18 | Q14M | | CMOS Output for 14.3MHz Xtal Osc |
| 19 | GND0 | | System Ground Input |
| 20 | QP0 | | CMOS Output QP0 |
| 21 | VCC0 | | VCC in for the CMOS Outputs |
| 22 | QP1 | | CMOS Output QP1 |
| 23 | GND0 | | System Ground Input |
| 24 | QP2 | | CMOS Output QP2 |
| 25 | VCC0 | | VCC in for the CMOS Outputs |

| Pin | Label | Ω | Description |
|-----|----------|----------|---|
| 26 | GND1 | | System Ground Input |
| 27 | VCC0 | | VCC in for the CMOS Outputs |
| 28 | QP3 | | CMOS Output QP3 |
| 29 | GND0 | | System Ground Input |
| 30 | GND0 | | System Ground Input |
| 31 | QP4_PCI4 | | CMOS Output QP4_PCI4 |
| 32 | VCC0 | | VCC in for the CMOS Outputs |
| 33 | QP5_PCI5 | | CMOS Output QP5_PCI5 |
| 34 | GND0 | | System Ground Input |
| 35 | GND0 | | System Ground Input |
| 36 | QPCI3 | | CMOS Output QPCI3 |
| 37 | VCC0 | | VCC in for the CMOS Outputs |
| 38 | QPCI2 | | CMOS Output QPCI2 |
| 39 | GND0 | | System Ground Input |
| 40 | VCCI | | VCC for Internal Core Logic |
| 41 | GND0 | | System Ground Input |
| 42 | QPCI1 | | CMOS Output QPCI1 |
| 43 | VCC0 | | VCC in for the CMOS Outputs |
| 44 | QPCI0 | | CMOS Output QPCI0 |
| 45 | GND0 | | System Ground Input |
| 46 | QM12 | | CMOS Output QM12 |
| 47 | VCC0 | | VCC in for the CMOS Outputs |
| 48 | Q40M | | CMOS Output Q40M |
| 49 | GND0 | | System Ground Input |
| 50 | Q24M | | CMOS Output Q24M |
| 51 | OE | ↑ 50K | Select Output State (See Function Table 1 on page 3.) |
| 52 | GND0 | | System Ground Input |

1. The filter recommended for the analog power pins is found in Figure 3 in the Applications Information section on page 5.

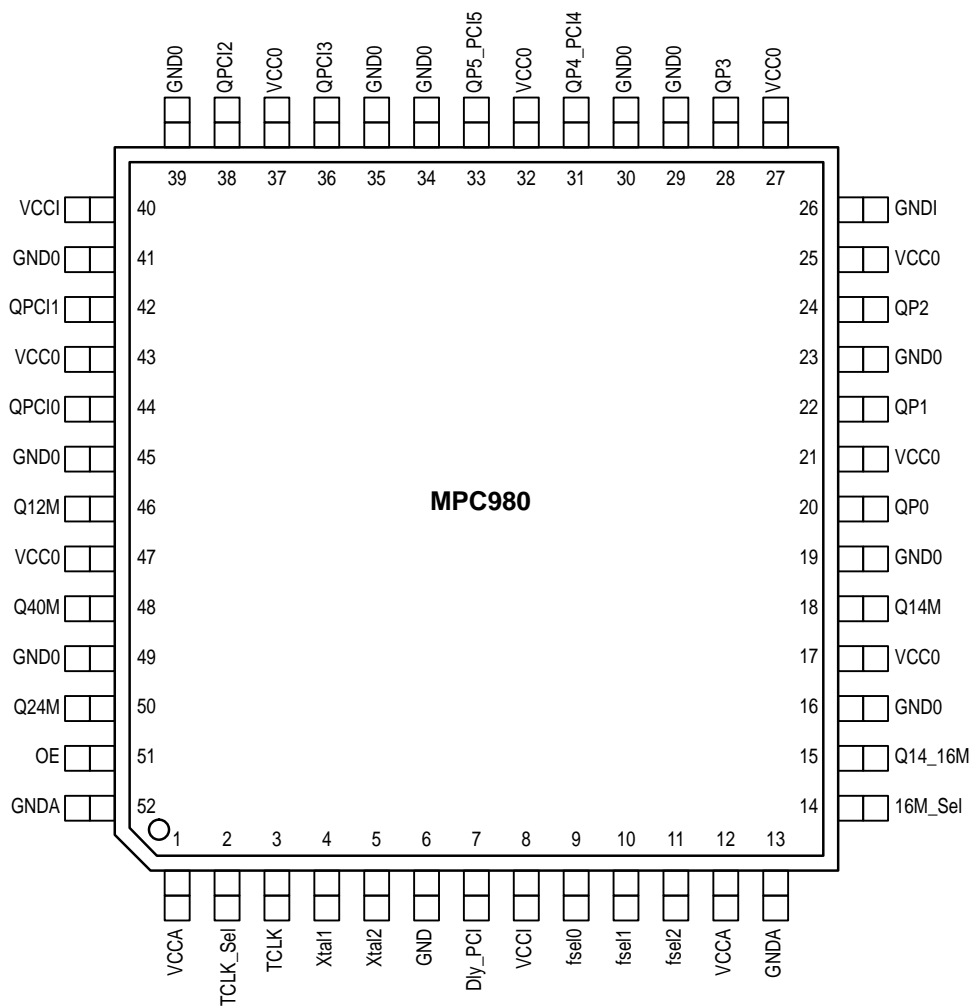


Figure 2. 52-Lead Pinout (Top View)

Function Table 1

| OE | fsel0 | fsel1 | QP | QPCI | Q14M | Q16M | Q24M | Q12M | Q40M |
|----|-------|-------|----------------|----------------|----------|--------|--------|--------|--------|
| 0 | X | X | High Impedance | High Impedance | Hi Z | Hi Z | Hi Z | Hi Z | Hi Z |
| 1 | 0 | 0 | 50MHz | 25MHz | 14.31818 | 16 | 24 | 12 | 40 |
| 1 | 0 | 1 | 60MHz | 30MHz | 14.31818 | 16 | 24 | 12 | 40 |
| 1 | 1 | 0 | 66MHz | 33MHz | 14.31818 | 16 | 24 | 12 | 40 |
| 1 | 1 | 1 | TCLK/2 | TCLK/4 | TCLK | TCLK/6 | TCLK/4 | TCLK/8 | TCLK/2 |

Function Table 2

| Dly_PCI | QP/QPCI Relationship |
|---------|------------------------------------|
| 0 | Synchronous Processor & PCI Clocks |
| 1 | PCI Clocks Lag Processor Clocks |

Function Table 4

| fsel2 | QP/QPCI Output Configuration |
|-------|------------------------------|
| 0 | 6 Processor and 4 PCI Clocks |
| 1 | 4 Processor and 6 PCI Clocks |

Function Table 3

| TCLK_Sel | PLL Input Reference |
|----------|---------------------|
| 0 | Crystal Oscillator |
| 1 | TCLK |

Function Table 5

| 16M_Sel | Q14_16M Output Configuration |
|---------|------------------------------|
| 0 | 14.31818MHz to Q14_16M Out |
| 1 | 16MHz to Q14_16M Out |

MPC980

DC CHARACTERISTICS (T_A = 0° to 70°C)

| Symbol | Characteristic | Min | Typ | Max | Unit | Condition |
|------------------|-------------------------------|-----------------------|-----|--------------------|------|-----------------|
| V _{CC} | Power Supply Voltage | 3.3–5% | 3.3 | 3.3+5% | V | |
| V _{IL} | Input LOW Voltage | | | 0.3V _{CC} | V | |
| V _{IH} | Input HIGH Voltage | 0.7V _{CC} | | V _{CC} | V | |
| V _{OH} | Output HIGH Voltage | V _{CC} – 0.4 | | | V | –20mA (Note 1.) |
| V _{OL} | Output LOW Voltage | | | 0.4 | V | +20mA (Note 1.) |
| C _{IN} | Input Capacitance | | | 4.5 | pF | |
| C _{PD} | Power Dissipation Capacitance | | 25 | | pF | |
| I _{CC} | Quiescent Supply Current | | | 190 | mA | |
| I _{CCA} | PLL Supply Current | | | 20 | mA | |

1. Output can drive two series terminated 50Ω transmission lines or a single 50Ω line terminated 50Ω into V_{CC}/2.

AC CHARACTERISTICS (T_A = 0° to 70°C, V_{CC} = 3.3V ±5%)

| Symbol | Characteristic | Min | Typ | Max | Unit | Condition |
|-------------------------------------|---|--|------------------------------|--|------|-----------------------------------|
| f _{Xtal} | Input Crystal Frequency | | 14.31818 | | MHz | |
| f _{max} | Maximum Output Frequency | | | 66 33 | MHz | QP QPCI |
| t _{dc} | Output Duty Cycle | t _{CYCLE/2} –1000 | t _{CYCLE/2} ±500 | t _{CYCLE/2} +1000 | ps | |
| t _{jitter} | Cycle-to-Cycle Jitter (Peak-to-Peak) | 66/33MHz 60/30MHz 50/25MHz | | ±150 ±200 ±250 | ps | |
| t _{skew} | Output-to-Output Skew | QP to QP QPCI to QPCI QP to QPCI | | 350 350 500 | ps | Rising Edges Only; Dly_PCI = 0 |
| t _{delay} | Time Delay | QP to QPCI | 2 | $\frac{1}{4f_{QP}}$ $\frac{1}{4f_{QP}} + 1$ | ns | Dly_PCI = 1 |
| t _r , t _f | Output Rise/Fall Time | 0.05 | | 0.8 | ns | 1.0 to 1.8V |
| t _{LOCK} | PLL Lock Time | | | 10 | ms | |
| t _{PZL} , t _{PZH} | Output Enable Time | 3 | | 10 | ns | 50Ω to V _{CC} /2 |
| t _{PLZ} , t _{PHZ} | Output Disable Time | 4 | | 11 | ns | 50Ω to V _{CC} /2 |

APPLICATIONS INFORMATION

Using the On-Board Crystal Oscillator

The MPC980 features an on-board crystal Oscillator to allow for seed clock generation as well as final distribution. The on-board Oscillator is completely self contained so that the only external component required is the crystal. As the Oscillator is somewhat sensitive to loading on its inputs the user is advised to mount the crystal as close to the MPC980 as possible to avoid any board level parasitics. To facilitate co-location surface mount crystals are recommended, but not required.

The Oscillator circuit is a series resonant circuit as opposed to the more common parallel resonant circuit, this eliminates the need for large on-board capacitors. Because the design is a series resonant design for the optimum frequency accuracy a series resonant crystal should be used (see specification table below). Unfortunately most off the shelf crystals are characterized in a parallel resonant mode. However a parallel resonant crystal is physically no different than a series resonant crystal, a parallel resonant crystal is simply a crystal which has been characterized in its parallel

resonant mode. Therefore in the majority of cases a parallel specified crystal can be used with the MPC980 with just a minor frequency error due to the actual series resonant frequency of the parallel resonant specified crystal. Typically a parallel specified crystal used in a series resonant mode will exhibit an Oscillatory frequency a few hundred ppm lower than the specified value. For most processor implementations a few hundred ppm translates into kHz inaccuracies, a level which does not represent a major issue.

Table 2. Crystal Specifications

| Parameter | Value |
|------------------------------------|-------------------------|
| Crystal Cut | Fundamental at Cut |
| Resonance | Series Resonance* |
| Frequency Tolerance | ±75ppm at 25°C |
| Frequency/Temperature Stability | ±150ppm 0 to 70°C |
| Operating Range | 0 to 70°C |
| Shunt Capacitance | 5–7pF |
| Equivalent Series Resistance (ESR) | 50 to 80Ω Max |
| Correlation Drive Level | 100μW |
| Aging | 5ppm/Yr (First 3 Years) |

* See accompanying text for series versus parallel resonant discussion.

Power Supply Filtering

The MPC980 is a mixed analog/digital product and as such it exhibits some sensitivities that would not necessarily be seen on a fully digital product. Analog circuitry is naturally susceptible to random noise, especially if this noise is seen on the power supply pins. The MPC980 provides separate power supplies for the output buffers (VCCO) and the phase-locked loop (VCCA) of the device. The purpose of this design technique is to try and isolate the high switching noise digital outputs from the relatively sensitive internal analog phase-locked loop. In a controlled environment such as an evaluation board this level of isolation is sufficient. However, in a digital system environment where it is more difficult to minimize noise on the power supplies a second level of isolation may be required. The simplest form of isolation is a power supply filter on the VCCA pin for the MPC980.

Figure 3 illustrates a typical power supply filter scheme. The MPC980 is most susceptible to noise with spectral content in the 1KHz to 1MHz range. Therefore the filter should be designed to target this range. The key parameter that needs to be met in the final filter design is the DC voltage drop that will be seen between the V_{CC} supply and the VCCA pin of the MPC980. From the data sheet the I_{VCCA} current (the current sourced per VCCA pin) is typically 15mA (20mA maximum), assuming that a minimum of 3.0V must be maintained on the VCCA pin very little DC voltage drop can be tolerated when a 3.3V V_{CC} supply is used. The resistor shown in Figure 3 must have a resistance of 10–15Ω to meet the voltage drop criteria. The RC filter pictured will provide a broadband filter with approximately 100:1 attenuation for

noise whose spectral content is above 20KHz. As the noise frequency crosses the series resonant point of an individual capacitor it's overall impedance begins to look inductive and thus increases with increasing frequency. The parallel capacitor combination shown ensures that a low impedance path to ground exists for frequencies well above the bandwidth of the PLL. It is recommended that the user start with an 8–10Ω resistor to avoid potential V_{CC} drop problems and only move to the higher value resistors when a higher level of attenuation is shown to be needed.

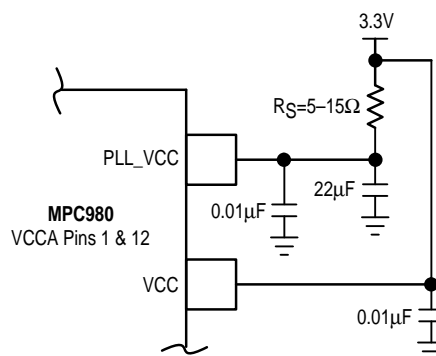


Figure 3. Power Supply Filter

Although the MPC980 has several design features to minimize the susceptibility to power supply noise (isolated power and grounds and fully differential PLL) there still may be applications in which overall performance is being degraded due to system power supply noise. The power supply filter schemes discussed in this section should be adequate to eliminate power supply noise related problems in most designs.

Component Reliability Analysis Information

All inputs and outputs of the MPC980 clock generator are LVCMOS and are not 5V tolerant. The quiescent current is 190mA maximum, so the maximum quiescent power is (190mA) × (3.465V max–V_{CC}) = 658.35mW. Total maximum power must include the dynamic power of the outputs.

$$\text{Dynamic Power/Output} = [\text{Logic Swing Out (volts)}] \times [\text{V}_{\text{CC}} \text{ (volts)}] \times [\text{Freq (MHz)}] \times [\text{C}_\text{L} + \text{C}_\text{P} \text{ (pF)}]$$

where

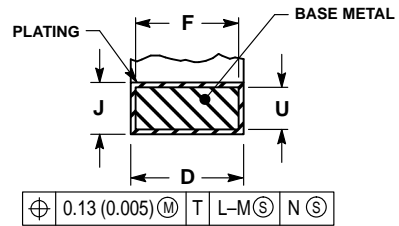
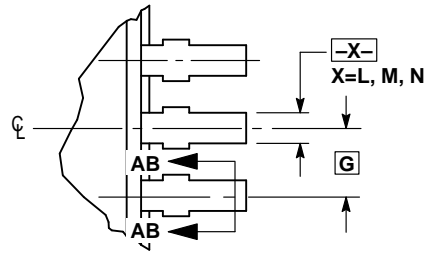
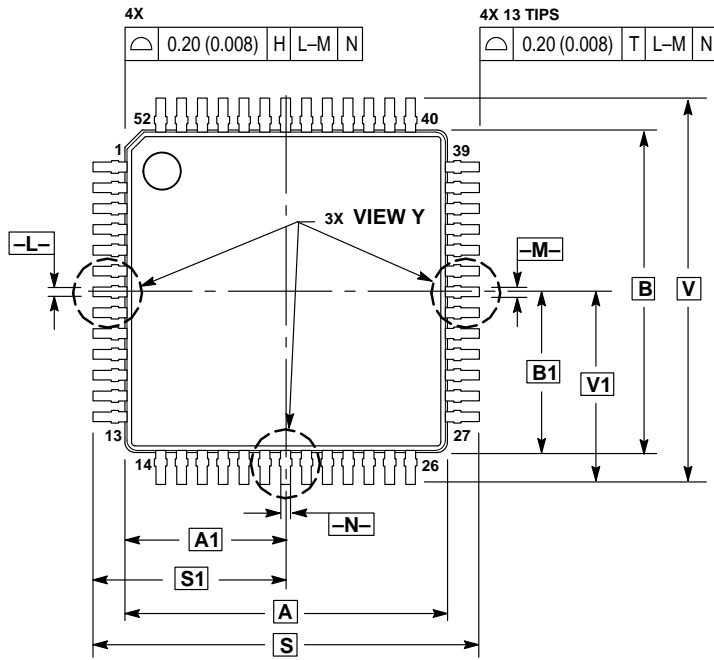
C_L = Load Capacitance

C_P = Output Power Dissipation Capacitance

The MPC980 is packaged in a 52-lead LQFP to optimize board space and power supply distribution. The LQFP package occupies a 12mm x 12mm space on the PCB. The 52-Pin LQFP package has a θ_{JA} of 64 to 74°C/W in still air and a θ_{JA} of 42 to 52°C/W in 500lfpm of moving air. The maximum chip temperature for the device is 140°C. The device component count is: NPN Bipolar devices 2,238; NMOS devices 1,313; PMOS devices 281.

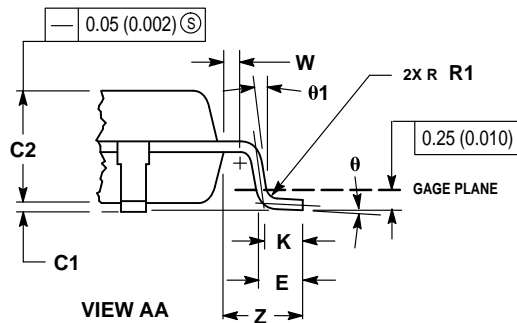
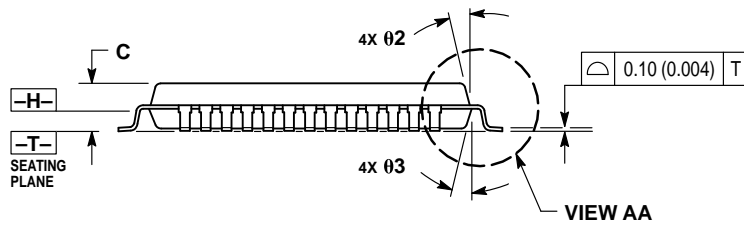
OUTLINE DIMENSIONS

FA SUFFIX
PLASTIC LQFP PACKAGE
CASE 848D-03
ISSUE D




NOTES:

1. DIMENSIONING AND TOLERANCING PER ANSI Y14.5M, 1982.
2. CONTROLLING DIMENSION: MILLIMETER.
3. DATUM PLANE -H- IS LOCATED AT BOTTOM OF LEAD AND IS COINCIDENT WITH THE LEAD WHERE THE LEAD EXITS THE PLASTIC BODY AT THE BOTTOM OF THE PARTING LINE.
4. DATUMS -L-, -M- AND -N- TO BE DETERMINED AT DATUM PLANE -H-.
5. DIMENSIONS S AND V TO BE DETERMINED AT SEATING PLANE -T-.
6. DIMENSIONS A AND B DO NOT INCLUDE MOLD PROTRUSION. ALLOWABLE PROTRUSION IS 0.25 (0.010) PER SIDE. DIMENSIONS A AND B DO INCLUDE MOLD MISMATCH AND ARE DETERMINED AT DATUM PLANE -H-.
7. DIMENSION D DOES NOT INCLUDE DAMBAR PROTRUSION. DAMBAR PROTRUSION SHALL NOT CAUSE THE LEAD WIDTH TO EXCEED 0.46 (0.018). MINIMUM SPACE BETWEEN PROTRUSION AND ADJACENT LEAD OR PROTRUSION 0.07 (0.003).



| DIM | MILLIMETERS | | INCHES | |
|-----|-------------|------|-----------|-------|
| | MIN | MAX | MIN | MAX |
| A | 10.00 BSC | | 0.394 BSC | |
| A1 | 5.00 BSC | | 0.197 BSC | |
| B | 10.00 BSC | | 0.394 BSC | |
| B1 | 5.00 BSC | | 0.197 BSC | |
| C | — | 1.70 | — | 0.067 |
| C1 | 0.05 | 0.20 | 0.002 | 0.008 |
| C2 | 1.30 | 1.50 | 0.051 | 0.059 |
| D | 0.20 | 0.40 | 0.008 | 0.016 |
| E | 0.45 | 0.75 | 0.018 | 0.030 |
| F | 0.22 | 0.35 | 0.009 | 0.014 |
| G | 0.65 BSC | | 0.026 BSC | |
| J | 0.07 | 0.20 | 0.003 | 0.008 |
| K | 0.50 REF | | 0.020 REF | |
| R1 | 0.08 | 0.20 | 0.003 | 0.008 |
| S | 12.00 BSC | | 0.472 BSC | |
| S1 | 6.00 BSC | | 0.236 BSC | |
| U | 0.09 | 0.16 | 0.004 | 0.006 |
| V | 12.00 BSC | | 0.472 BSC | |
| V1 | 6.00 BSC | | 0.236 BSC | |
| W | 0.20 REF | | 0.008 REF | |
| Z | 1.00 REF | | 0.039 REF | |
| θ | 0° | 7° | 0° | 7° |
| Ø1 | 0° | — | 0° | — |
| Ø2 | 12° REF | | 12° REF | |
| Ø3 | 12° REF | | 12° REF | |

Motorola reserves the right to make changes without further notice to any products herein. Motorola makes no warranty, representation or guarantee regarding the suitability of its products for any particular purpose, nor does Motorola assume any liability arising out of the application or use of any product or circuit, and specifically disclaims any and all liability, including without limitation consequential or incidental damages. "Typical" parameters which may be provided in Motorola data sheets and/or specifications can and do vary in different applications and actual performance may vary over time. All operating parameters, including "Typicals" must be validated for each customer application by customer's technical experts. Motorola does not convey any license under its patent rights nor the rights of others. Motorola products are not designed, intended, or authorized for use as components in systems intended for surgical implant into the body, or other applications intended to support or sustain life, or for any other application in which the failure of the Motorola product could create a situation where personal injury or death may occur. Should Buyer purchase or use Motorola products for any such unintended or unauthorized application, Buyer shall indemnify and hold Motorola and its officers, employees, subsidiaries, affiliates, and distributors harmless against all claims, costs, damages, and expenses, and reasonable attorney fees arising out of, directly or indirectly, any claim of personal injury or death associated with such unintended or unauthorized use, even if such claim alleges that Motorola was negligent regarding the design or manufacture of the part. Motorola and  are registered trademarks of Motorola, Inc. Motorola, Inc. is an Equal Opportunity/Affirmative Action Employer.

Mfax is a trademark of Motorola, Inc.

How to reach us:

USA/EUROPE/Locations Not Listed: Motorola Literature Distribution;
P.O. Box 5405, Denver, Colorado 80217. 1-303-675-2140 or 1-800-441-2447

JAPAN: Nippon Motorola Ltd.: SPD, Strategic Planning Office, 141,
4-32-1 Nishi-Gotanda, Shagawa-ku, Tokyo, Japan. 03-5487-8488

Customer Focus Center: 1-800-521-6274

Mfax™: RMFAX0@email.sps.mot.com – TOUCHTONE 1-602-244-6609
Motorola Fax Back System – US & Canada ONLY 1-800-774-1848
– <http://sps.motorola.com/mfax/>

ASIA/PACIFIC: Motorola Semiconductors H.K. Ltd.; 8B Tai Ping Industrial Park,
51 Ting Kok Road, Tai Po, N.T., Hong Kong. 852-26629298

HOME PAGE: <http://motorola.com/sps/>



MOTOROLA

