

Power Products Division

Advance Information

HALF-BRIDGE DRIVER

The MPIC2111 is a high voltage, high speed, power MOSFET and IGBT driver with dependent high and low side referenced output channels designed for half-bridge applications. Proprietary HVIC and latch immune CMOS technologies enable ruggedized monolithic construction. Logic input is compatible with standard CMOS outputs. The output drivers feature a high pulse current buffer stage designed for minimum driver cross-conduction. Internal deadtime is provided to avoid shoot-through in the output half-bridge. The floating channel can be used to drive an N-channel power MOSFET or IGBT in the high side configuration which operates from 10 to 600 volts.

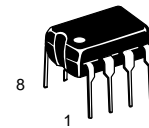
- Floating Channel Designed for Bootstrap Operation
- Fully Operational to +600 V
- Tolerant to Negative Transient Voltage
- dV/dt Immune
- Gate Drive Supply Range from 10 to 20 V
- Undervoltage Lockout for Both Channels
- CMOS Schmitt-triggered Inputs with Pull-down
- Matched Propagation Delay for Both Channels
- Internally Set Deadtime
- High Side Output in Phase with Input

PRODUCT SUMMARY

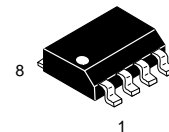
V_{OFFSET}	600 V MAX
I_{O+/-}	200 mA/420 mA
V_{OUT}	10 – 20 V
t_{on/off} (typical)	130 & 90 ns
Deadtime (typical)	700 ns

MPIC2111

HALF-BRIDGE DRIVER



P SUFFIX
PLASTIC PACKAGE
CASE 626-05



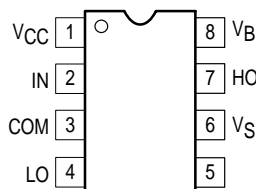
D SUFFIX
PLASTIC PACKAGE
CASE 751-05
(SO-8)

ORDERING INFORMATION

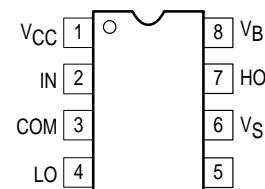
Device	Package
MPIC2111D	SOIC
MPIC2111P	PDIP

PIN CONNECTIONS

(TOP VIEW)



8 LEADS DIP
MPIC2111P

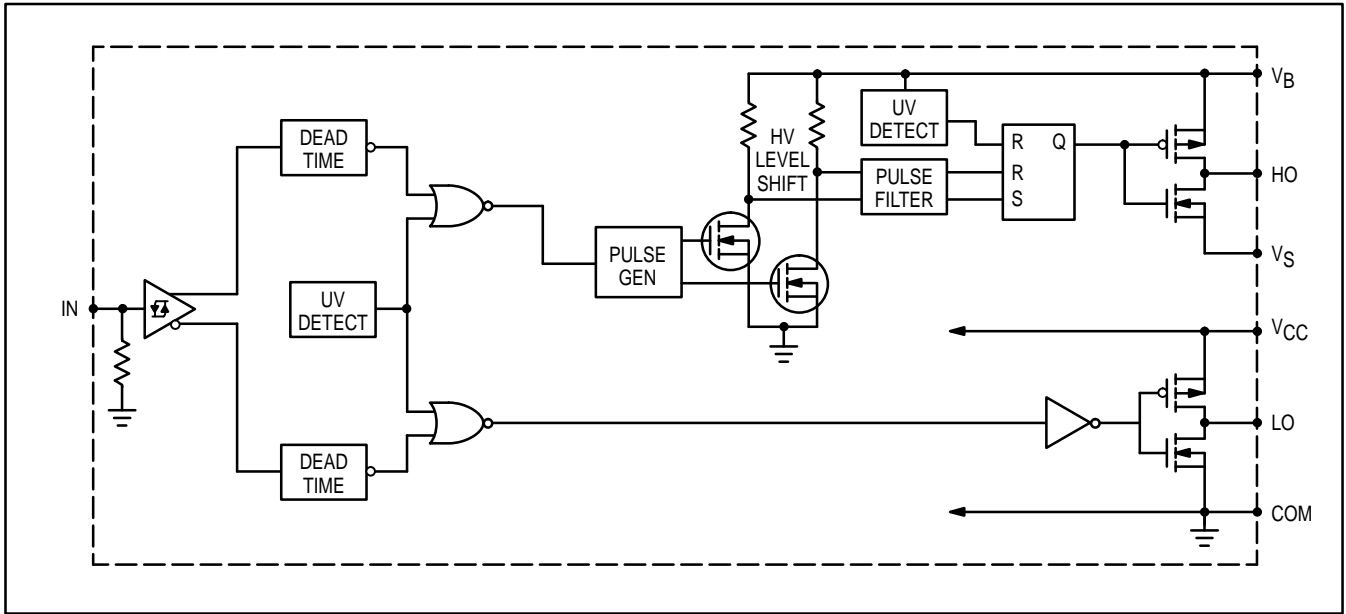


8 LEAD SOIC
MPIC2111D

This document contains information on a new product. Specifications and information herein are subject to change without notice.

REV 1

SIMPLIFIED BLOCK DIAGRAM



ABSOLUTE MAXIMUM RATINGS

Absolute Maximum Ratings indicate sustained limits beyond which damage to the device may occur. All voltage parameters are absolute voltages referenced to COM. The Thermal Resistance and Power Dissipation ratings are measured under board mounted and still air conditions.

Rating	Symbol	Min	Max	Unit
High Side Floating Supply Absolute Voltage	V_B	-0.3	625	V_{DC}
High Side Floating Supply Offset Voltage	V_S	V_B-25	$V_B+0.3$	
High Side Floating Output Voltage	V_{HO}	$V_S-0.3$	$V_B+0.3$	
Low Side Fixed Supply Voltage	V_{CC}	-0.3	25	
Low Side Output Voltage	V_{LO}	-0.3	$V_{CC}+0.3$	
Logic Input Voltage	V_{IN}	-0.3	$V_{CC}+0.3$	
Allowable Offset Supply Voltage Transient	dV_S/dt	-	50	V/ns
*Package Power Dissipation @ $T_C \leq +25^\circ C$	P_D	-	1.0	Watt
	-	-	0.625	
Thermal Resistance, Junction to Ambient	$R_{\theta JA}$	-	125	$^\circ C/W$
		-	200	
Operating and Storage Temperature	T_j, T_{stg}	-55	150	$^\circ C$
Lead Temperature for Soldering Purposes, 10 seconds	T_L	-	260	$^\circ C$

RECOMMENDED OPERATING CONDITIONS

The Input/Output logic timing Diagram is shown in Figure 1. For proper operation the device should be used within the recommended conditions. The V_S offset rating is tested with all supplies biased at 15 V differential.

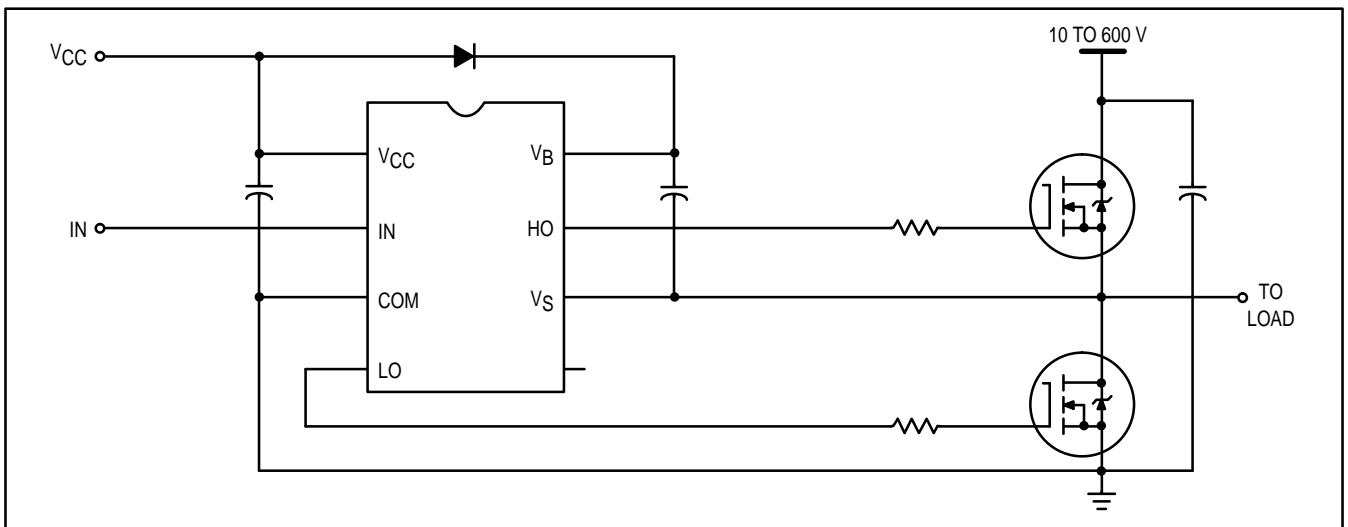
High Side Floating Supply Absolute Voltage	V_B	V_S+10	V_S+20	V
High Side Floating Supply Offset Voltage	V_S	Note 1	600	
High Side Floating Output Voltage	V_{HO}	V_S	V_B	
Low Side Fixed Supply Voltage	V_{CC}	10	20	mA
Low Side Output Voltage	V_{LO}	0	V_{CC}	
Logic Input Voltage	V_{IN}	0	V_{CC}	
Ambient Temperature	T_A	-40	125	

Note 1: Logic operational for V_S of -5 to +600 V. Logic state held for V_S of -5 V to $-V_{BS}$.

ELECTRICAL CHARACTERISTICS ($T_A = 25^\circ\text{C}$ unless otherwise specified)

Characteristic	Symbol	Min	Typ	Max	Unit
STATIC ELECTRICAL CHARACTERISTICS					
V_{BIAS} (V_{CC} , V_{BS}) = 15 V unless otherwise specified. The V_{IN} , V_{TH} and I_{IN} parameters are referenced to COM. The V_O and I_O parameters are referenced to COM and are applicable to the respective output leads: HO or LO.					
Logic "1" Input Voltage for HO & Logic "0" Input Voltage for LO @ $V_{CC} = 10$ V	V_{IH}	6.4	–	–	V _{DC}
Logic "1" Input Voltage for HO & Logic "0" Input Voltage for LO @ $V_{CC} = 15$ V	V_{IH}	9.5	–	–	
Logic "1" Input Voltage for HO & Logic "0" Input Voltage for LO @ $V_{CC} = 20$ V	V_{IH}	12.6	–	–	
Logic "0" Input Voltage for HO & Logic "1" Input Voltage for LO @ $V_{CC} = 10$ V	V_{IL}	–	–	3.8	
Logic "0" Input Voltage for HO & Logic "1" Input Voltage for LO @ $V_{CC} = 15$ V	V_{IL}	–	–	6.0	
Logic "0" Input Voltage for HO & Logic "1" Input Voltage for LO @ $V_{CC} = 20$ V	V_{IL}	–	–	8.3	
High Level Output Voltage, $V_{BIAS}-V_O$ @ $I_O = 0$ A	V_{OH}	–	–	100	mV
Low Level Output Voltage, V_O @ $I_O = 0$ A	V_{OL}	–	–	100	
Offset Supply Leakage Current @ $V_B = V_S = 600$ V	I_{LK}	–	–	50	μA
Quiescent V_{BS} Supply Current @ $V_{IN} = 0$ V or V_{CC}	I_{QBS}	–	50	–	
Quiescent V_{CC} Supply Current @ $V_{IN} = 0$ V or V_{CC}	I_{QCC}	–	70	–	
Logic "1" Input Bias Current @ $V_{IN} = 15$ V	I_{IN+}	–	20	40	
Logic "0" Input Bias Current @ $V_{IN} = 0$ V	I_{IN-}	–	–	1.0	
V_{BS} Supply Undervoltage Positive Going Threshold	V_{BSUV+}	–	8.5	–	
V_{BS} Supply Undervoltage Negative Going Threshold	V_{BSUV-}	–	8.2	–	
V_{CC} Supply Undervoltage Positive Going Threshold	V_{CCUV+}	–	8.6	–	
V_{CC} Supply Undervoltage Negative Going Threshold	V_{CCUV-}	–	8.2	–	
Output High Short Circuit Pulsed Current @ $V_{OUT} = 0$ V, $PW \leq 10$ μs	I_{O+}	200	250	–	mA
Output Low Short Circuit Pulsed Current @ $V_{OUT} = 15$ V, $PW \leq 10$ μs	I_{O-}	420	500	–	
DYNAMIC ELECTRICAL CHARACTERISTICS					
V_{BIAS} (V_{CC} , V_{BS}) = 15 V unless otherwise specified					
Turn-On Propagation Delay @ $V_S = 0$ V	t_{on}	–	850	–	ns
Turn-Off Propagation Delay @ $V_S = 600$ V	t_{off}	–	150	–	
Turn-On Rise Time @ $C_L = 1000$ pF	t_r	–	80	–	
Turn-Off Fall Time @ $C_L = 1000$ pF	t_f	–	40	–	
Deadtime, LS Turn-Off to HS Turn-On & HS Turn-Off to LS Turn-On	DT	–	700	–	
Delay Matching, HS & LS Turn-On/Off	MT	–	30	–	

TYPICAL CONNECTION



MPIC2111

LEAD DEFINITIONS

Symbol	Lead Description
IN	Logic Input for High Side and Low Side Gate Driver Outputs (HO & LO), In Phase with HO
V _B	High Side Floating Supply
HO	High Side Gate Drive Output
V _S	High Side Floating Supply Return
V _{CC}	Low Side Supply
L _O	Low Side Gate Drive Output
COM	Logic and Low Side Return

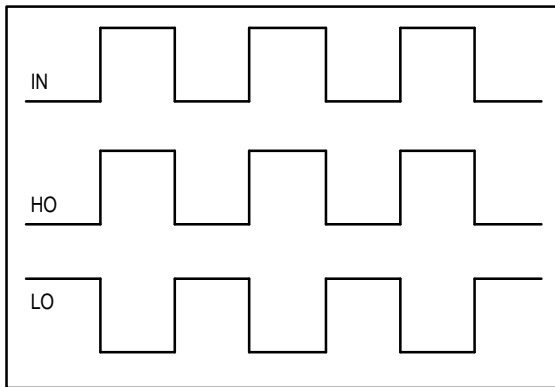


Figure 1. Input / Output Timing Diagram

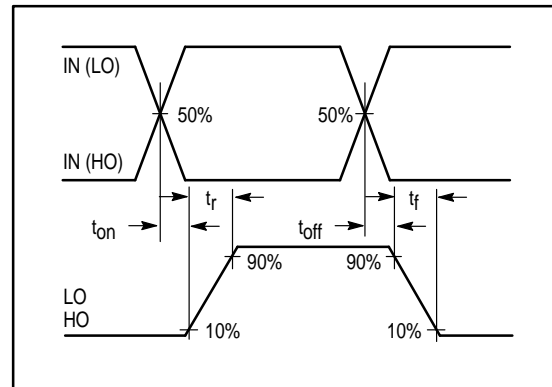


Figure 2. Switching Time Waveform Definitions

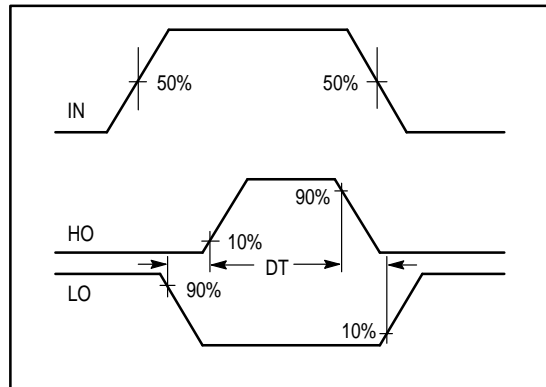
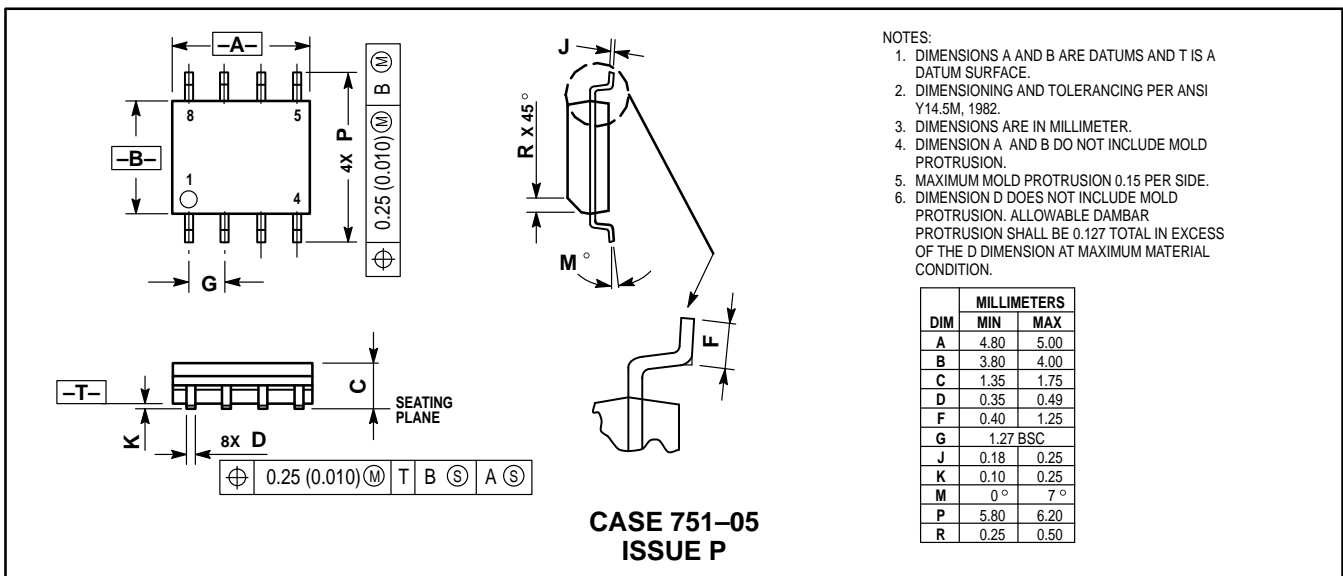
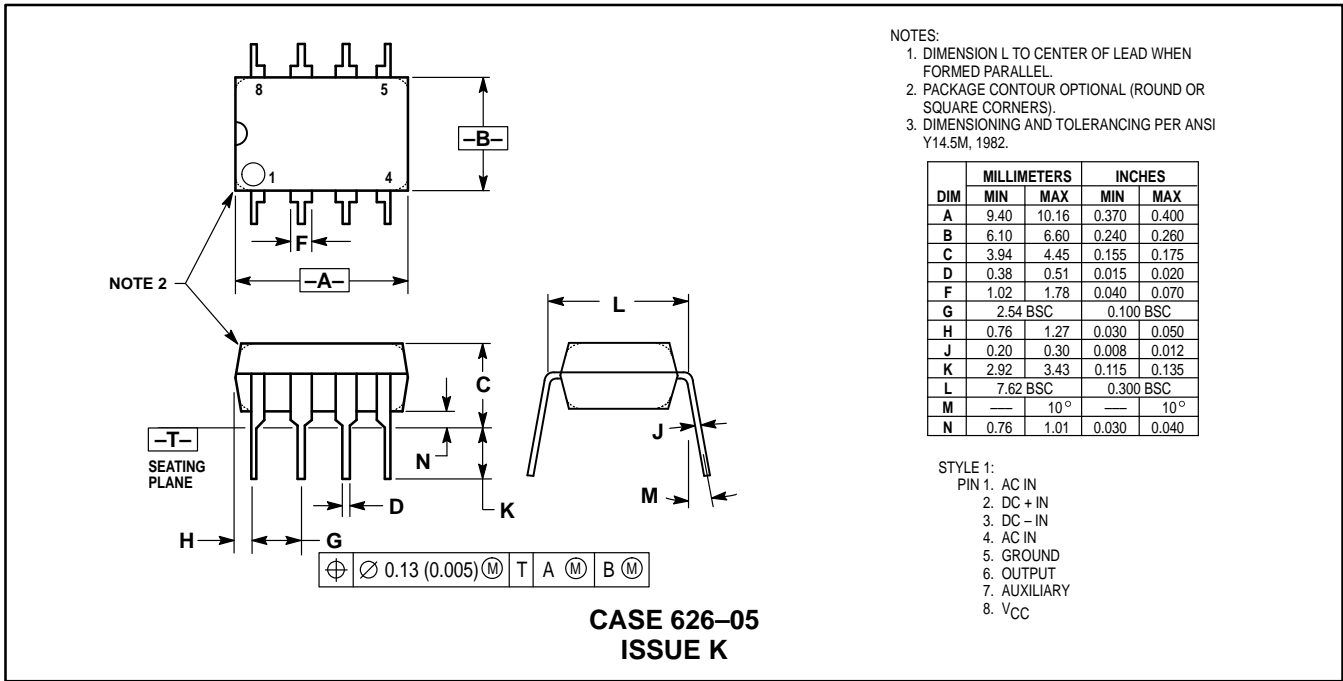
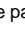


Figure 3. Deadtime Waveform Definitions

PACKAGE DIMENSIONS



Motorola reserves the right to make changes without further notice to any products herein. Motorola makes no warranty, representation or guarantee regarding the suitability of its products for any particular purpose, nor does Motorola assume any liability arising out of the application or use of any product or circuit, and specifically disclaims any and all liability, including without limitation consequential or incidental damages. "Typical" parameters which may be provided in Motorola data sheets and/or specifications can and do vary in different applications and actual performance may vary over time. All operating parameters, including "Typicals" must be validated for each customer application by customer's technical experts. Motorola does not convey any license under its patent rights nor the rights of others. Motorola products are not designed, intended, or authorized for use as components in systems intended for surgical implant into the body, or other applications intended to support or sustain life, or for any other application in which the failure of the Motorola product could create a situation where personal injury or death may occur. Should Buyer purchase or use Motorola products for any such unintended or unauthorized application, Buyer shall indemnify and hold Motorola and its officers, employees, subsidiaries, affiliates, and distributors harmless against all claims, costs, damages, and expenses, and reasonable attorney fees arising out of, directly or indirectly, any claim of personal injury or death associated with such unintended or unauthorized use, even if such claim alleges that Motorola was negligent regarding the design or manufacture of the part. Motorola and  are registered trademarks of Motorola, Inc. Motorola, Inc. is an Equal Opportunity/Affirmative Action Employer.

How to reach us:

USA/EUROPE/Locations Not Listed: Motorola Literature Distribution;
P.O. Box 20912; Phoenix, Arizona 85036. 1-800-441-2447 or 602-303-5454

JAPAN: Nippon Motorola Ltd.; Tatsumi-SPD-JLDC, 6F Seibu-Butsuryu-Center,
3-14-2 Tatsumi Koto-Ku, Tokyo 135, Japan. 03-81-3521-8315

MFAX: RMFAX0@email.sps.mot.com – TOUCHTONE 602-244-6609
INTERNET: <http://Design-NET.com>

ASIA/PACIFIC: Motorola Semiconductors H.K. Ltd.; 8B Tai Ping Industrial Park,
51 Ting Kok Road, Tai Po, N.T., Hong Kong. 852-26629298



MOTOROLA

