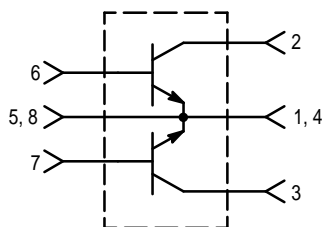


The RF Line

NPN Silicon Push-Pull RF Power Transistor

... designed primarily for wideband large-signal output and driver amplifier stages in the 30 to 500 MHz frequency range.

- Specified 28 Volt, 500 MHz Characteristics —
Output Power = 100 W
Typical Gain = 9.5 dB (Class AB); 8.5 dB (Class C)
Efficiency = 55% (Typ)
- Built-In Input Impedance Matching Networks for Broadband Operation
- Push-Pull Configuration Reduces Even Numbered Harmonics
- Gold Metallization System for High Reliability
- 100% Tested for Load Mismatch
- Circuit board photomaster available upon request by contacting RF Tactical Marketing in Phoenix, AZ.

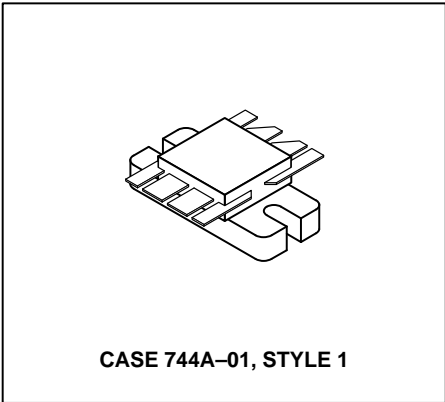


The MRF393 is two transistors in a single package with separate base and collector leads and emitters common. This arrangement provides the designer with a space saving device capable of operation in a push-pull configuration.

PUSH-PULL TRANSISTORS



**100 W, 30 to 500 MHz
CONTROLLED "Q"
BROADBAND PUSH-PULL
RF POWER TRANSISTOR
NPN SILICON**



MAXIMUM RATINGS

Rating	Symbol	Value	Unit
Collector-Emitter Voltage	V_{CEO}	30	Vdc
Collector-Base Voltage	V_{CBO}	60	Vdc
Emitter-Base Voltage	V_{EBO}	4.0	Vdc
Collector Current — Continuous	I_C	16	Adc
Total Device Dissipation @ $T_C = 25^\circ\text{C}$ (1) Derate above 25°C	P_D	270 1.54	Watts W/°C
Storage Temperature Range	T_{stg}	-65 to +150	°C
Junction Temperature	T_J	200	°C

THERMAL CHARACTERISTICS

Characteristic	Symbol	Max	Unit
Thermal Resistance, Junction to Case	$R_{\theta JC}$	0.65	°C/W

NOTE:

- This device is designed for RF operation. The total device dissipation rating applies only when the device is operated as an RF push-pull amplifier.

ELECTRICAL CHARACTERISTICS ($T_C = 25^\circ\text{C}$ unless otherwise noted.)

Characteristic	Symbol	Min	Typ	Max	Unit
OFF CHARACTERISTICS (1)					
Collector–Emitter Breakdown Voltage ($I_C = 50\text{ mAdc}$, $I_B = 0$)	$V_{(BR)CEO}$	30	—	—	Vdc
Collector–Emitter Breakdown Voltage ($I_C = 50\text{ mAdc}$, $V_{BE} = 0$)	$V_{(BR)CES}$	60	—	—	Vdc
Emitter–Base Breakdown Voltage ($I_E = 5.0\text{ mAdc}$, $I_C = 0$)	$V_{(BR)EBO}$	4.0	—	—	Vdc
Collector Cutoff Current ($V_{CB} = 30\text{ Vdc}$, $I_E = 0$)	I_{CBO}	—	—	5.0	mAdc

ON CHARACTERISTICS (1)

DC Current Gain ($I_C = 1.0\text{ Adc}$, $V_{CE} = 5.0\text{ Vdc}$)	h_{FE}	20	—	100	—
--	----------	----	---	-----	---

DYNAMIC CHARACTERISTICS (1)

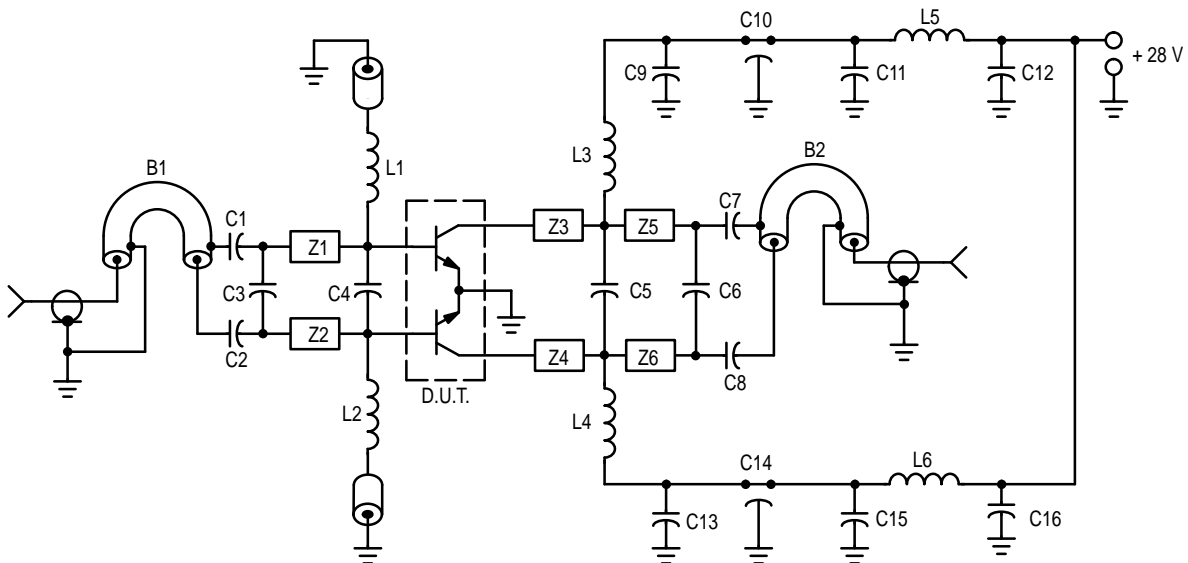
Output Capacitance ($V_{CB} = 28\text{ Vdc}$, $I_E = 0$, $f = 1.0\text{ MHz}$)	C_{ob}	40	75	95	pF
--	----------	----	----	----	----

FUNCTIONAL TESTS (2) — See Figure 1

Common–Emitter Amplifier Power Gain ($V_{CC} = 28\text{ Vdc}$, $P_{out} = 100\text{ W}$, $f = 500\text{ MHz}$)	G_{pe}	7.5	8.5	—	dB
Collector Efficiency ($V_{CC} = 28\text{ Vdc}$, $P_{out} = 100\text{ W}$, $f = 500\text{ MHz}$)	η	50	55	—	%
Load Mismatch ($V_{CC} = 28\text{ Vdc}$, $P_{out} = 100\text{ W}$, $f = 500\text{ MHz}$, $V_{SWR} = 30:1$, all phase angles)	ψ	No Degradation in Output Power			

NOTES:

1. Each transistor chip measured separately.
2. Both transistor chips operating in push–pull amplifier.



C1, C2, C7, C8 — 240 pF 100 mil Chip Cap
 C3 — 15 pF 100 mil Chip Cap
 C4 — 24 pF 100 mil Chip Cap
 C5 — 33 pF 100 mil Chip Cap
 C6 — 12 pF 100 mil Chip Cap
 C9, C13 — 1000 pF 100 mil Chip Cap
 C10, C14 — 680 pF Feedthru Cap
 C11, C15 — 0.1 μF Ceramic Disc Cap
 C12, C16 — 50 μF 50 V

L1, L2 — 0.15 μH Molded Choke with Ferrite Bead
 L3, L4 — 2–1/2 Turns #20 AWG 0.200" ID
 L5, L6 — 3–1/2 Turns #18 AWG 0.200" ID

B1, B2 — Balun 50 Ω Semi Rigid Coax, 86 mil OD, 4" Long

Z1, Z2 — 850 mil Long x 125 mil W. Microstrip
 Z3, Z4 — 200 mil Long x 125 mil W. Microstrip
 Z5, Z6 — 800 mil Long x 125 mil W. Microstrip

Board Material — 0.0325" Teflon–Fiberglass, $\epsilon_r = 2.56$,
 1 oz. Copper Clad both sides.

Figure 1. 500 MHz Test Fixture

CLASS C

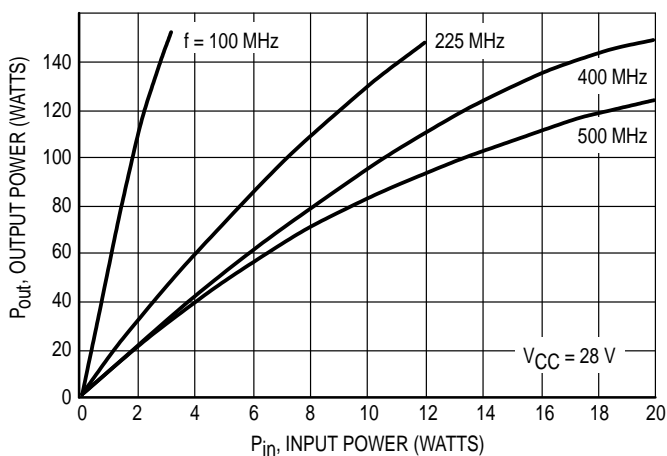


Figure 2. Output Power versus Input Power

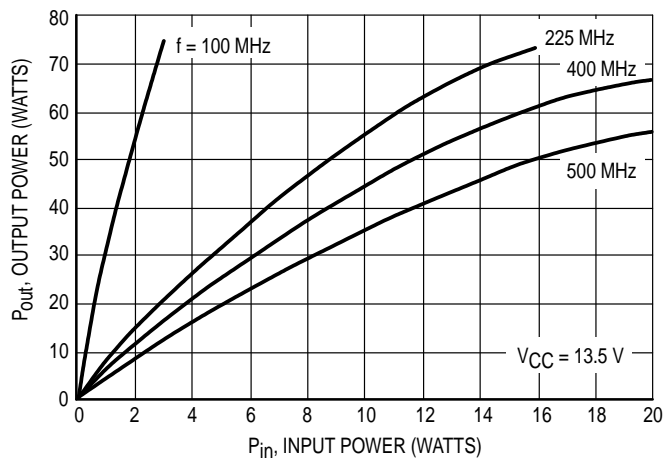


Figure 3. Output Power versus Input Power

CLASS C

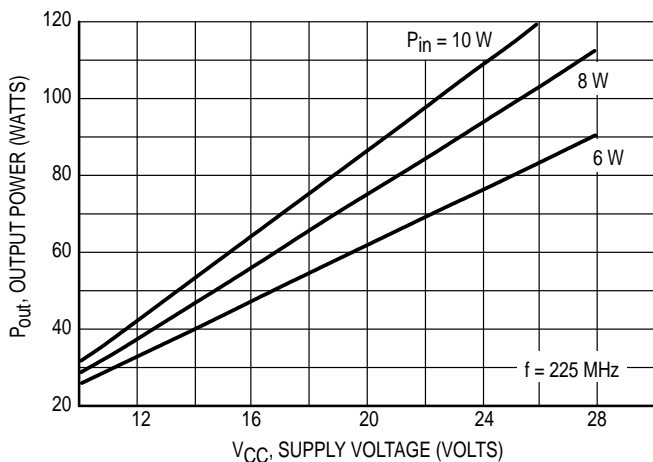


Figure 4. Output Power versus Supply Voltage

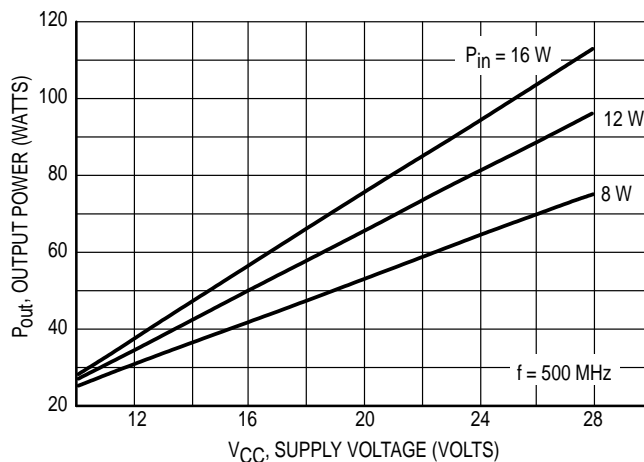
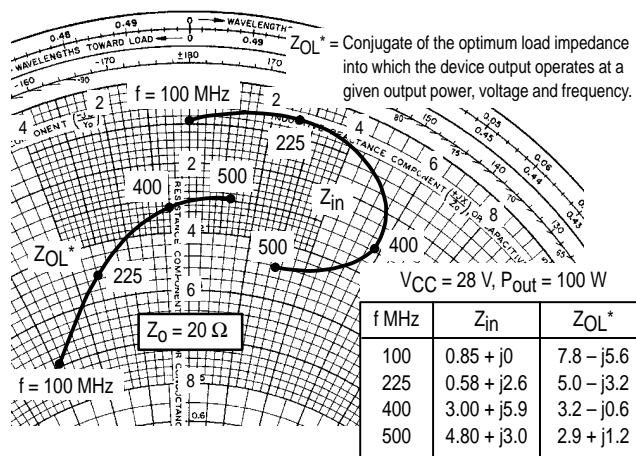


Figure 5. Output Power versus Supply Voltage



NOTE: Z_{in} & Z_{OL}* are given from base-to-base and collector-to-collector respectively.

Figure 6. Series Equivalent Input/Output Impedance

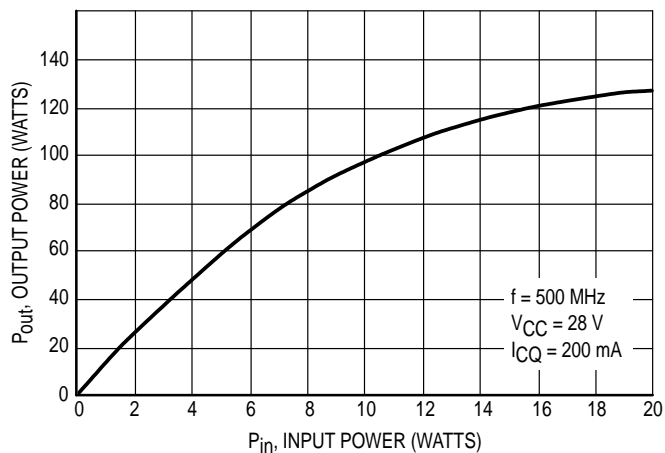
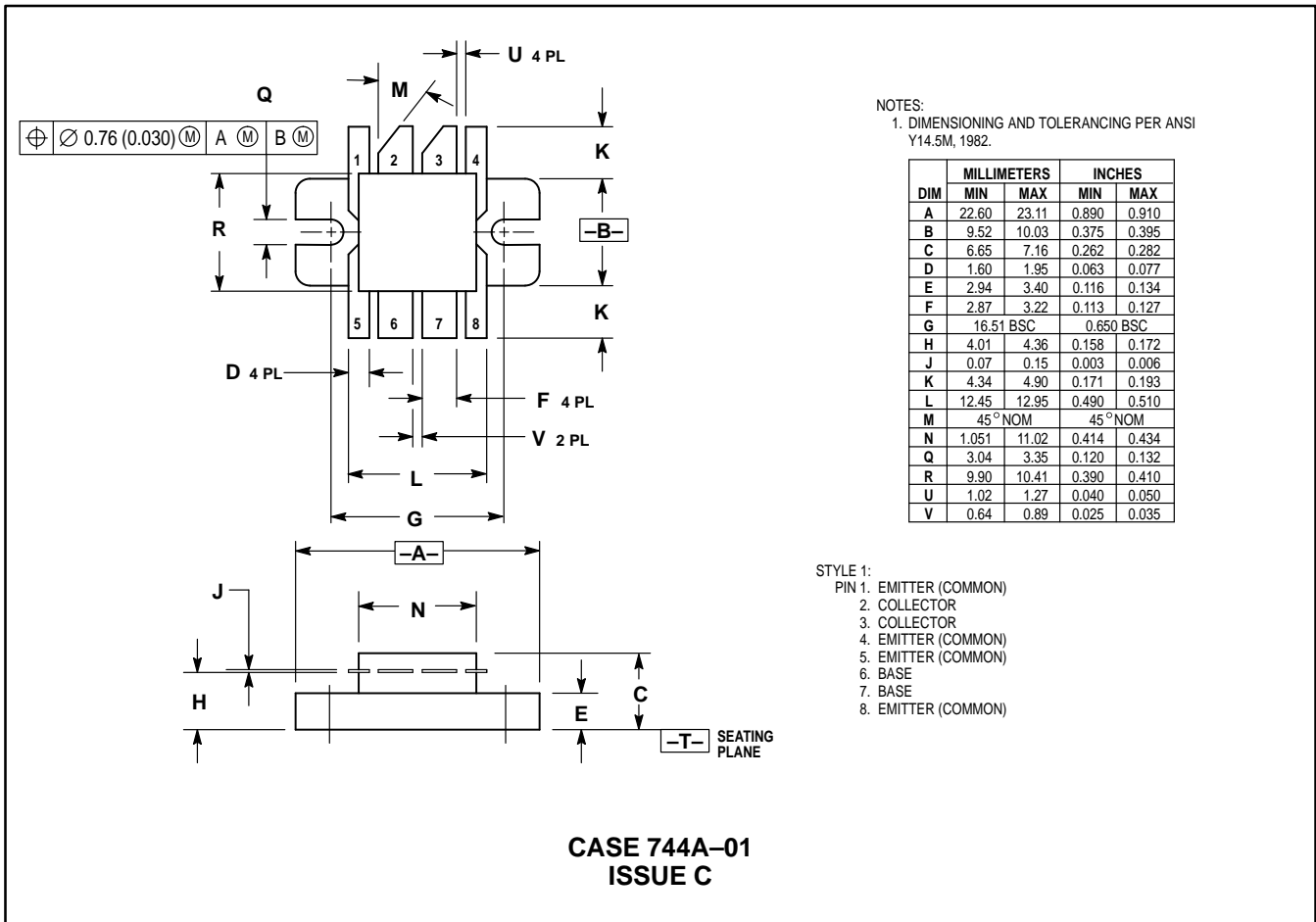


Figure 7. Class AB Output Power versus Input Power

PACKAGE DIMENSIONS



NOTES:
1. DIMENSIONING AND TOLERANCING PER ANSI Y14.5M, 1982.

DIM	MILLIMETERS		INCHES	
	MIN	MAX	MIN	MAX
A	22.60	23.11	0.890	0.910
B	9.52	10.03	0.375	0.395
C	6.65	7.16	0.262	0.282
D	1.60	1.95	0.063	0.077
E	2.94	3.40	0.116	0.134
F	2.87	3.22	0.113	0.127
G	16.51 BSC		0.650 BSC	
H	4.01	4.36	0.158	0.172
J	0.07	0.15	0.003	0.006
K	4.34	4.90	0.171	0.193
L	12.45	12.95	0.490	0.510
M	45° NOM		45° NOM	
N	1.051	11.02	0.414	0.434
Q	3.04	3.35	0.120	0.132
R	9.90	10.41	0.390	0.410
U	1.02	1.27	0.040	0.050
V	0.64	0.89	0.025	0.035

- STYLE 1:
PIN 1. EMITTER (COMMON)
2. COLLECTOR
3. COLLECTOR
4. EMITTER (COMMON)
5. EMITTER (COMMON)
6. BASE
7. BASE
8. EMITTER (COMMON)

Motorola reserves the right to make changes without further notice to any products herein. Motorola makes no warranty, representation or guarantee regarding the suitability of its products for any particular purpose, nor does Motorola assume any liability arising out of the application or use of any product or circuit, and specifically disclaims any and all liability, including without limitation consequential or incidental damages. "Typical" parameters can and do vary in different applications. All operating parameters, including "Typicals" must be validated for each customer application by customer's technical experts. Motorola does not convey any license under its patent rights nor the rights of others. Motorola products are not designed, intended, or authorized for use as components in systems intended for surgical implant into the body, or other applications intended to support or sustain life, or for any other application in which the failure of the Motorola product could create a situation where personal injury or death may occur. Should Buyer purchase or use Motorola products for any such unintended or unauthorized application, Buyer shall indemnify and hold Motorola and its officers, employees, subsidiaries, affiliates, and distributors harmless against all claims, costs, damages, and expenses, and reasonable attorney fees arising out of, directly or indirectly, any claim of personal injury or death associated with such unintended or unauthorized use, even if such claim alleges that Motorola was negligent regarding the design or manufacture of the part. Motorola and are registered trademarks of Motorola, Inc. Motorola, Inc. is an Equal Opportunity/Affirmative Action Employer.

Literature Distribution Centers:

USA: Motorola Literature Distribution; P.O. Box 20912; Phoenix, Arizona 85036.
 EUROPE: Motorola Ltd.; European Literature Centre; 88 Tanners Drive, Blakelands, Milton Keynes, MK14 5BP, England.
 JAPAN: Nippon Motorola Ltd.; 4-32-1, Nishi-Gotanda, Shinagawa-ku, Tokyo 141, Japan.
 ASIA PACIFIC: Motorola Semiconductors H.K. Ltd.; Silicon Harbour Center, No. 2 Dai King Street, Tai Po Industrial Estate, Tai Po, N.T., Hong Kong.



MRF393/D

