

The RF Line NPN Silicon High-Frequency Transistor

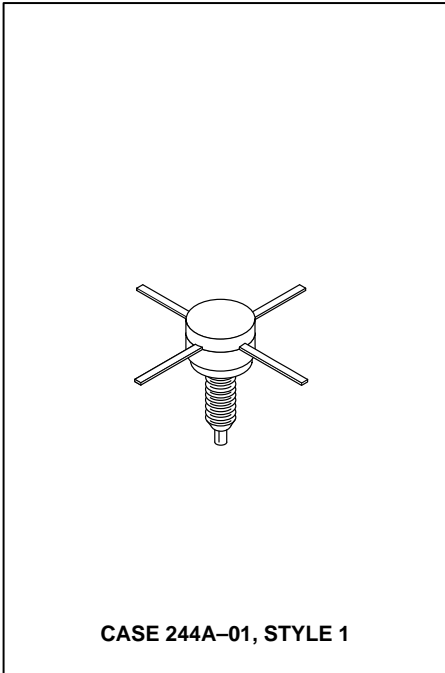
... designed for use in high-gain, low-noise, ultra-linear, tuned and wideband amplifiers. Ideal for use in CATV, MATV, and instrumentation applications.

- Low Noise Figure —
NF = 3.0 dB (Typ) @ f = 500 MHz, I_C = 90 mA
- High Power Gain —
G_{U(max)} = 16.5 dB (Typ) @ f = 500 MHz
- Ion Implanted
- All Gold Metal System
- High f_T — 5.5 GHz
- Low Intermodulation Distortion:
TB₃ = -70 dB
DIN = 125 dB μV
- Nichrome Emitter Ballast Resistors



MRF587

NF = 3.0 dB @ 0.5 GHz
HIGH-FREQUENCY
TRANSISTOR
NPN SILICON



MAXIMUM RATINGS

Rating	Symbol	Value	Unit
Collector-Emitter Voltage	V _{CEO}	17	Vdc
Collector-Base Voltage	V _{CBO}	34	Vdc
Emitter-Base Voltage	V _{EBO}	2.5	Vdc
Collector Current — Continuous	I _C	200	mAdc
Total Device Dissipation @ T _C = 50°C Derate above T _C = 50°C	P _D	5.0 33	Watts mW/°C
Storage Temperature Range	T _{stg}	- 65 to +150	°C
Junction Temperature	T _J	200	°C

ELECTRICAL CHARACTERISTICS (T_C = 25°C unless otherwise noted.)

Characteristic	Symbol	Min	Typ	Max	Unit
----------------	--------	-----	-----	-----	------

OFF CHARACTERISTICS

Collector-Emitter Breakdown Voltage (I _C = 5.0 mAdc, I _B = 0)	V _{(BR)CEO}	17	—	—	Vdc
Collector-Base Breakdown Voltage (I _C = 1.0 mAdc, I _E = 0)	V _{(BR)CBO}	34	—	—	Vdc
Emitter-Base Breakdown Voltage (I _C = 0, I _E = 0.1 mAdc)	V _{(BR)EBO}	2.5	—	—	Vdc
Collector Cutoff Current (V _{CB} = 10 Vdc, I _E = 0)	I _{CBO}	—	—	50	μAdc

ON CHARACTERISTICS

DC Current Gain (1) (I _C = 50 mAdc, V _{CE} = 5.0 Vdc)	h _{FE}	50	—	200	—
--	-----------------	----	---	-----	---

NOTE:

1. 300 μs pulse on Tektronix 576 or equivalent.

(continued)

ELECTRICAL CHARACTERISTICS — continued ($T_C = 25^\circ\text{C}$ unless otherwise noted.)

Characteristic	Symbol	Min	Typ	Max	Unit
DYNAMIC CHARACTERISTICS					
Current–Gain — Bandwidth Product (2) ($I_C = 90\text{ mA}$, $V_{CE} = 15\text{ Vdc}$, $f = 0.5\text{ GHz}$)	f_T	—	5.5	—	GHz
Collector–Base Capacitance ($V_{CB} = 10\text{ Vdc}$, $I_E = 0$, $f = 1.0\text{ MHz}$)	C_{cb}	—	1.7	2.2	pF

FUNCTIONAL TESTS

Narrowband — Figure 15 ($I_C = 90\text{ mA}$, $V_{CC} = 15\text{ V}$, $f = 0.5\text{ GHz}$) Noise Figure Power Gain at Optimum Noise Figure	NF GNF	— 11	3.0 13	4.0 —	dB
Broadband — Figure 16 ($I_C = 90\text{ mA}$, $V_{CC} = 15\text{ V}$, $f = 0.3\text{ GHz}$) Noise Figure Power Gain at Optimum Noise Figure	NF GNF	— —	6.3 11	— —	dB
Triple Beat Distortion ($I_C = 50\text{ mA}$, $V_{CC} = 15\text{ V}$, $P_{Ref} = 50\text{ dBmV}$) ($I_C = 90\text{ mA}$, $V_{CC} = 15\text{ V}$, $P_{Ref} = 50\text{ dBmV}$)	TB ₃	—	-70	—	dB
DIN 45004 ($I_C = 90\text{ mA}$, $V_{CC} = 15\text{ V}$) ($I_C = 90\text{ mA}$, $V_{CC} = 15\text{ V}$)	DIN	—	125	—	dB μV
Maximum Available Power Gain (3) ($I_C = 90\text{ mA}$, $V_{CE} = 15\text{ Vdc}$, $f = 0.5\text{ GHz}$)	G_{Umax}	—	16.5	—	dB

NOTES:

2. Characterized on HP8542 Automatic Network Analyzer

$$3. G_{Umax} = \frac{|S_{21}|^2}{(1 - |S_{11}|^2)(1 - |S_{22}|^2)}$$

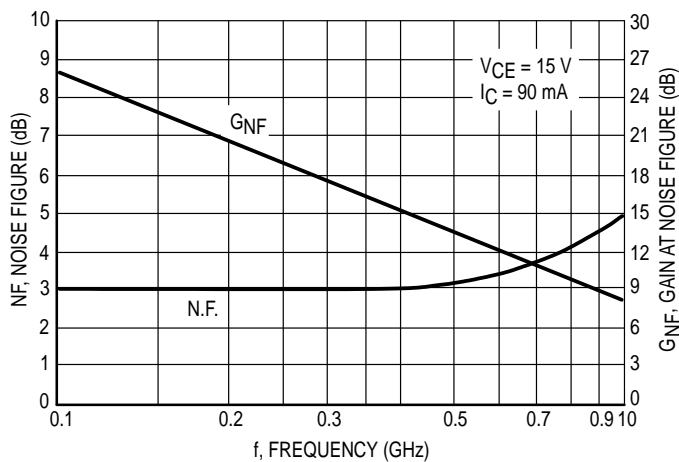


Figure 1. Typical Noise Figure and Associated Gain versus Frequency

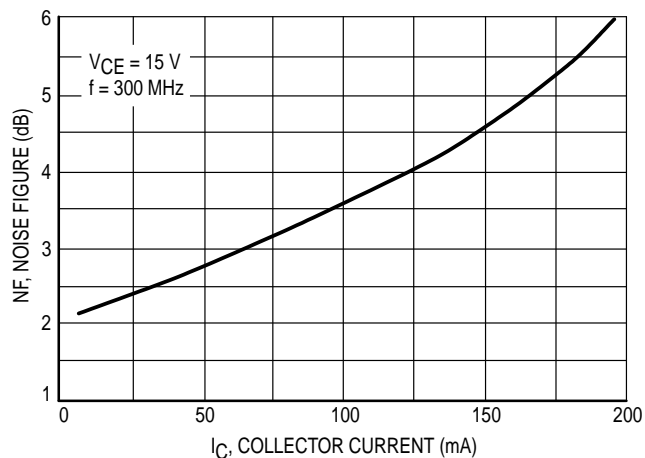


Figure 2. Noise Figure versus Collector Current

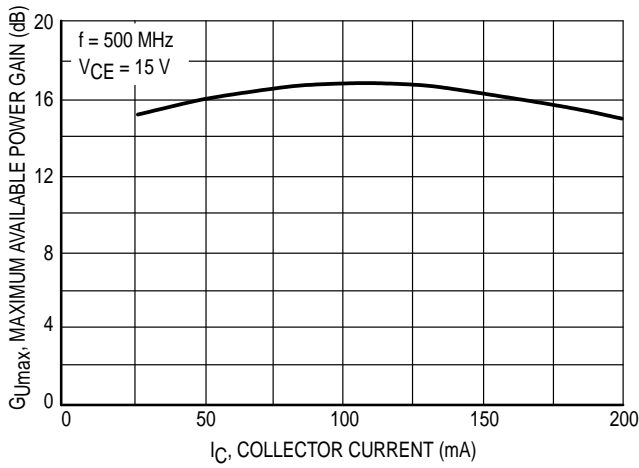


Figure 3. G_{Umex} versus Collector Current

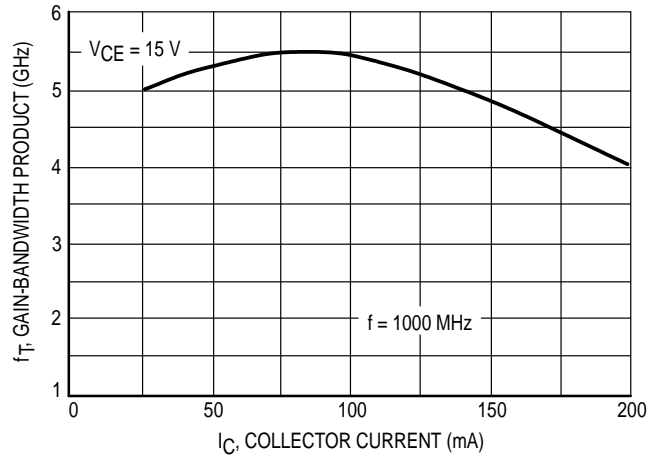


Figure 4. Gain-Bandwidth Product versus Collector Current

TYPICAL PERFORMANCE

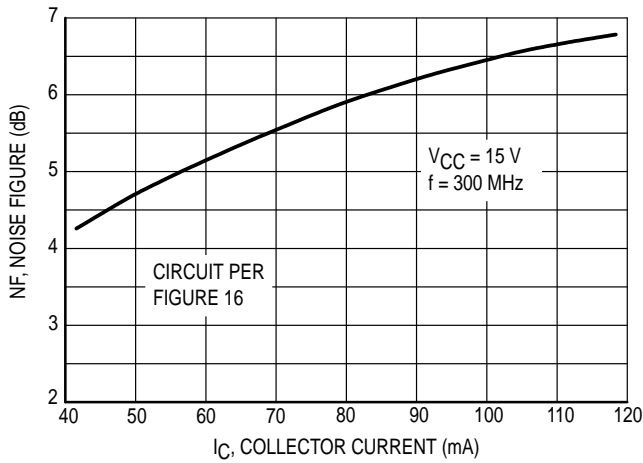


Figure 5. Broadband Noise Figure

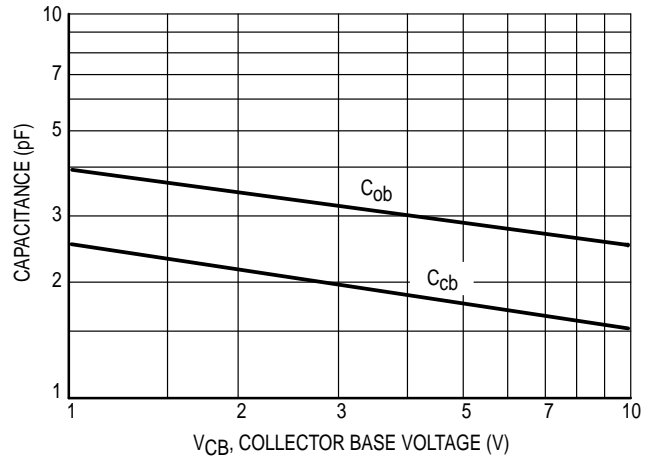


Figure 6. Junction Capacitance versus Voltage

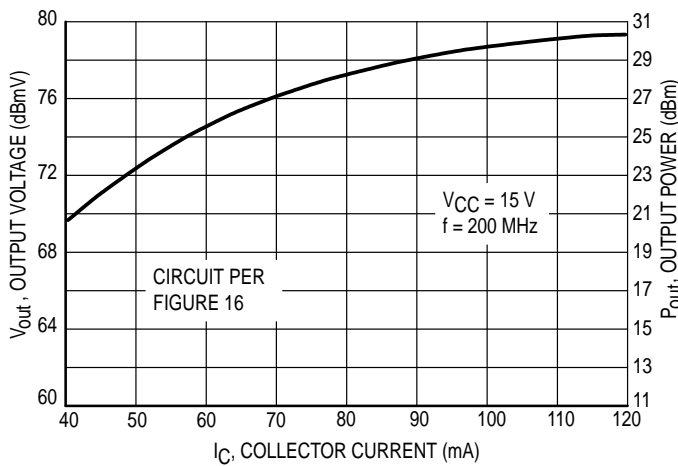


Figure 7. 1.0 dB Compression Point versus Collector Current

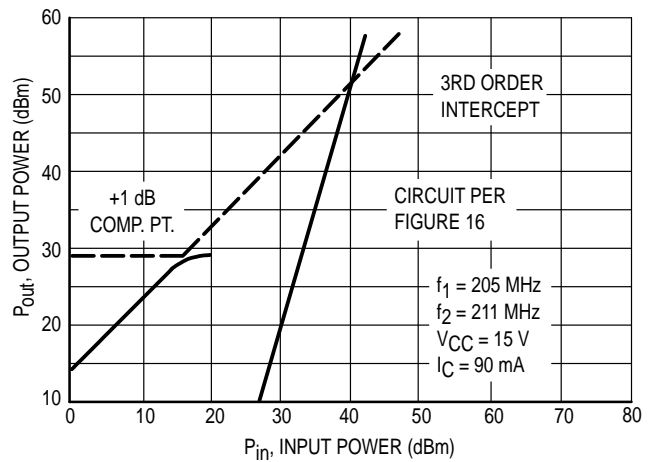


Figure 8. Third Order Intercept Point

TYPICAL PERFORMANCE (continued)

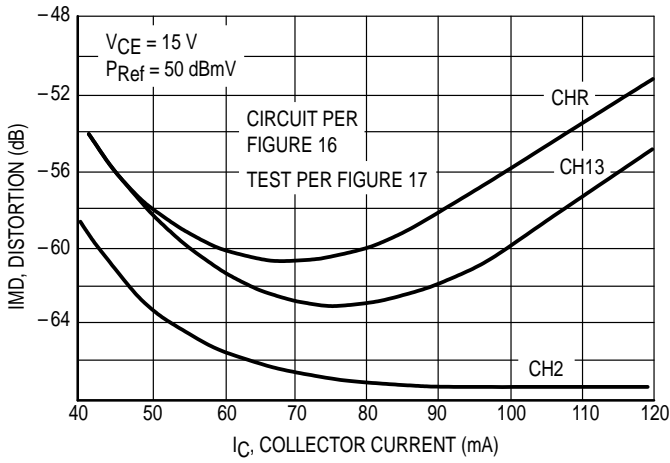


Figure 9. Second Order Distortion versus Collector Current

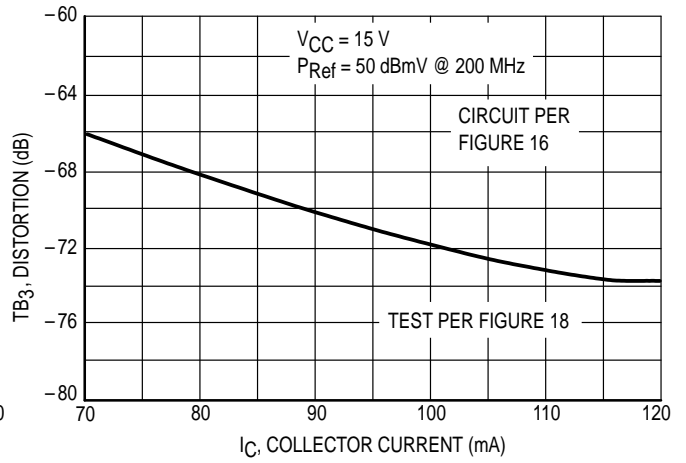


Figure 10. Triple Beat Distortion versus Collector Current

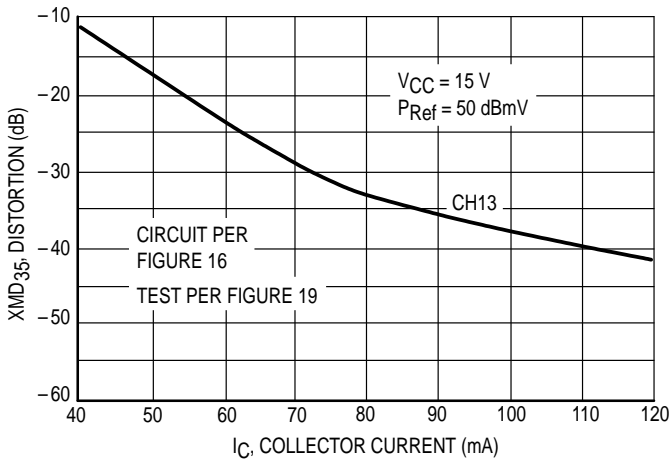


Figure 11. 35-Channel X-Modulation Distortion versus Collector Current

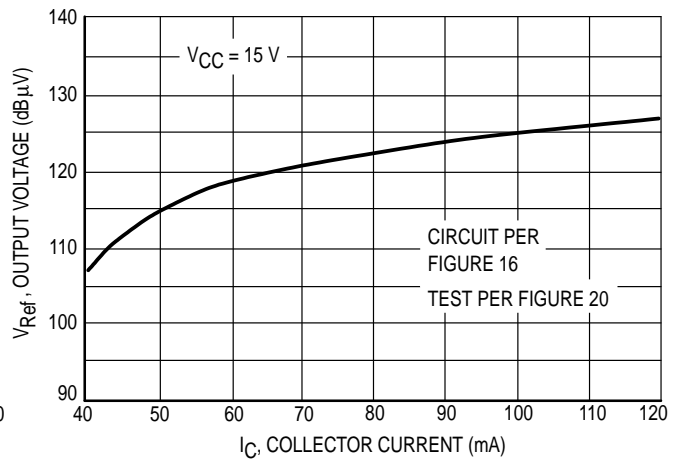


Figure 12. DIN 45004B versus Collector Current

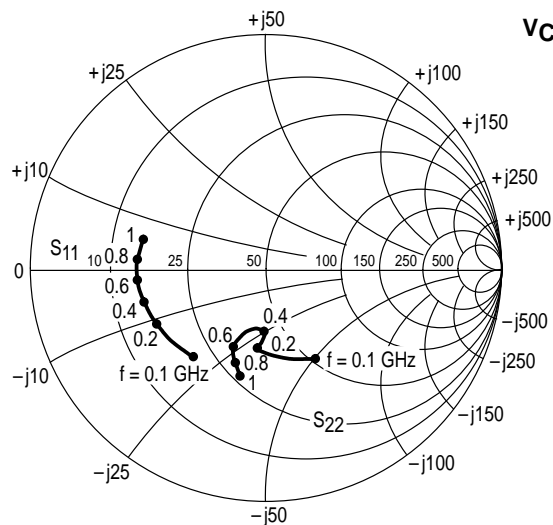


Figure 13. Input/Output Reflection Coefficient versus Frequency (GHz)

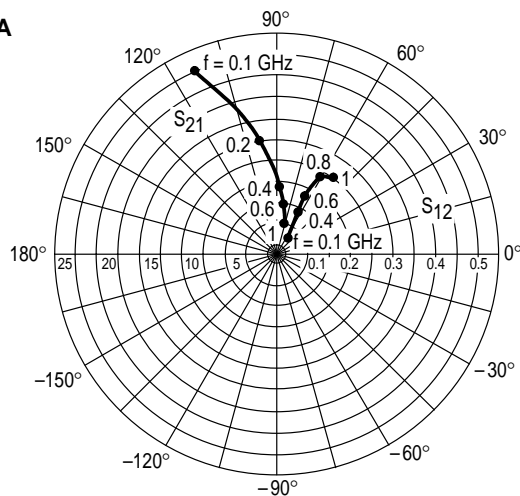


Figure 14. Forward/Reverse Transmission Coefficients versus Frequency (GHz)

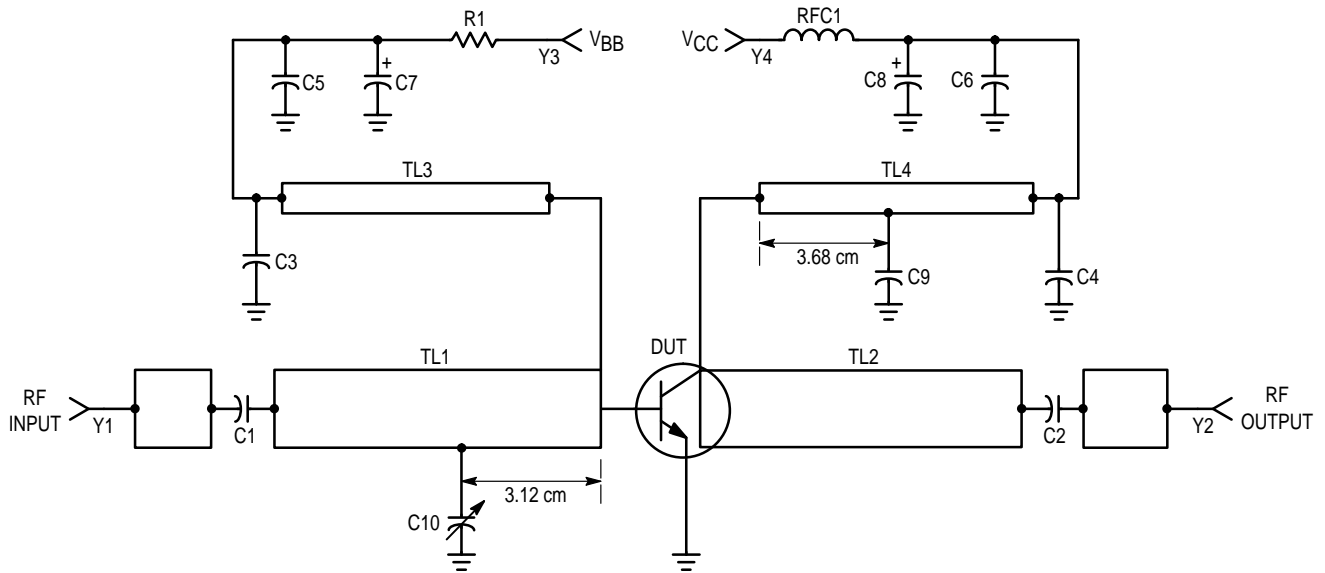
VCE (Volts)	IC (mA)	f (MHz)	S11		S21		S12		S22	
			S11	φ	S21	φ	S12	φ	S22	φ
5.0	30	100	0.56	-131	16.45	113	0.04	45	0.49	-91
		200	0.58	-159	9.42	98	0.06	49	0.38	-116
		400	0.60	-178	5.00	86	0.08	55	0.35	-132
		600	0.64	170	3.61	76	0.11	56	0.38	-138
		800	0.67	162	2.92	67	0.14	55	0.41	-144
		1000	0.70	155	2.55	58	0.17	54	0.44	-152
	60	100	0.53	-141	17.89	110	0.04	50	0.47	-102
		200	0.56	-164	10.05	97	0.05	55	0.39	-126
		400	0.59	178	5.31	85	0.09	60	0.38	-141
		600	0.63	169	3.82	76	0.12	59	0.40	-146
		800	0.66	161	3.09	67	0.15	57	0.44	-153
		1000	0.69	155	2.67	58	0.18	55	0.47	-160
	90	100	0.52	-145	18.26	109	0.04	52	0.47	-106
		200	0.56	-166	10.20	96	0.05	57	0.39	-130
		400	0.59	177	5.38	85	0.09	62	0.39	-144
		600	0.63	168	3.86	76	0.12	60	0.41	-149
		800	0.66	161	3.12	67	0.15	58	0.45	-155
		1000	0.69	155	2.70	58	0.19	55	0.48	-162
10	30	100	0.53	-122	18.36	115	0.04	48	0.50	-75
		200	0.53	-153	10.63	100	0.05	51	0.36	-96
		400	0.55	175	5.71	87	0.08	57	0.33	-112
		600	0.59	173	4.16	78	0.10	58	0.35	-119
		800	0.62	165	3.37	68	0.13	57	0.39	-127
		1000	0.65	158	2.95	59	0.15	55	0.42	-136
	60	100	0.49	-132	20.19	112	0.03	51	0.46	-85
		200	0.51	-158	11.54	99	0.05	57	0.35	-107
		400	0.53	-178	6.12	87	0.08	61	0.33	-123
		600	0.58	171	4.43	78	0.11	60	0.36	-129
		800	0.60	164	3.58	68	0.14	59	0.40	-136
		1000	0.63	157	3.12	60	0.16	57	0.44	-144
	90	100	0.48	-135	20.82	111	0.03	53	0.45	-88
		200	0.50	-160	11.77	98	0.05	59	0.34	-111
		400	0.53	-179	6.22	86	0.08	63	0.33	-126
		600	0.57	171	4.50	78	0.11	62	0.36	-131
		800	0.60	164	3.64	68	0.14	59	0.41	-139
		1000	0.63	157	3.18	60	0.17	57	0.44	-147

(continued)

Table 1. Common-Emitter S-Parameters

VCE (Volts)	IC (mA)	f (MHz)	S11		S21		S12		S22	
			S11	φ	S21	φ	S12	φ	S22	φ
15	30	100	0.49	-112	20.34	118	0.04	54	0.51	-52
		200	0.52	-145	11.51	101	0.05	56	0.36	-77
		400	0.48	-164	6.12	87	0.09	63	0.32	-74
		600	0.52	-174	4.19	75	0.12	62	0.32	-90
		800	0.53	177	3.29	68	0.16	61	0.38	-90
		1000	0.53	168	2.76	61	0.20	56	0.47	-90
	60	100	0.45	-122	22.14	115	0.03	56	0.45	-60
		200	0.49	-150	12.24	99	0.05	60	0.33	-86
		400	0.45	-166	6.45	86	0.09	65	0.30	-83
		600	0.50	-175	4.42	75	0.13	63	0.32	-99
		800	0.51	177	3.47	68	0.16	61	0.38	-98
		1000	0.51	168	2.91	62	0.20	55	0.46	-96
	90	100	0.44	-127	22.76	114	0.03	58	0.43	-62
		200	0.48	-152	12.44	98	0.05	62	0.32	-89
		400	0.44	-167	6.55	85	0.09	66	0.29	-85
		600	0.50	-176	4.47	75	0.13	64	0.32	-102
		800	0.51	176	3.51	69	0.17	61	0.38	-100
		1000	0.51	168	2.95	62	0.20	55	0.46	-98

Table 1. Common-Emitter S-Parameters (continued)



C1, C2 — 470 pF Chip (Ceramic)
 C3, C4 — 0.018 μF Chip Capacitor
 C5, C6 — 0.1 μF Mylar
 C7, C8 — 1.0 μF, 25 Vdc Electrolytic
 C9 — 91 pF Mini-Unelco (C9 Taped 3.68 cm from
 Collector Connection on TL4 as shown)
 C10 — 35–45 pF Johanson Ceramic Capacitor, JMC
 5801 or Equivalent (C10 Taped 3.12 cm from
 Base Connection on TL1)

R1 — 2.7 kΩ, 1-1/2 W
 RFC1 — 0.15 μH Molded Choke
 TL1, TL2 — $Z_0 = 26 \Omega$, 0.0625 TFG as shown in
 Photomaster
 TL3, TL4 — $\lambda/4$ Microstrip, $Z_0 = 100 \Omega$
 Y1, Y2 — N-Type Connection (Female)
 Y3, Y4 — BNC-Type Connector (Female)
 Board Material — 0.0625" Thick Glass Teflon $\epsilon_r = 2.5$

Figure 15. Narrowband Test Fixture Schematic
 500 MHz

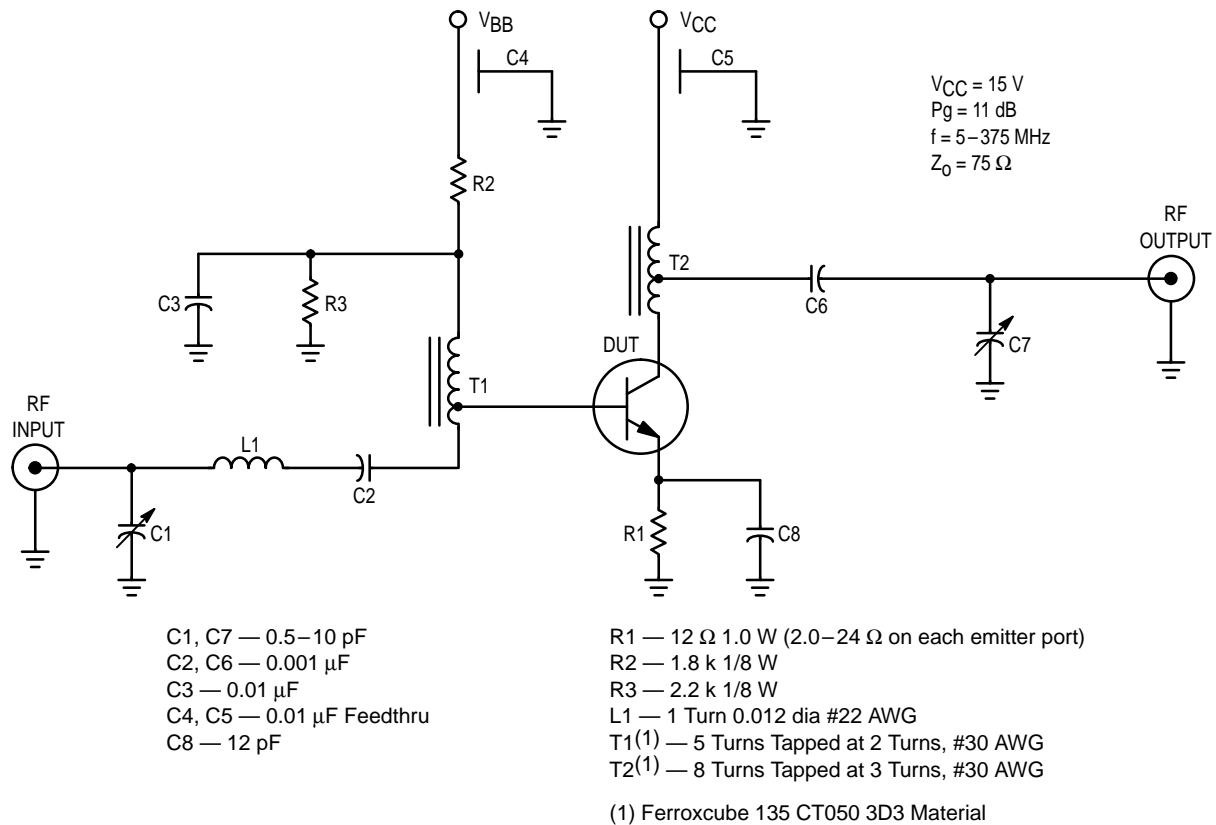


Figure 16. Broadband Test Circuit Schematic

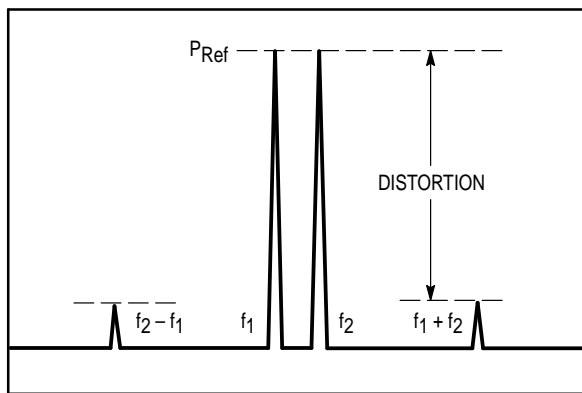


Figure 17. Second Order Distortion Test

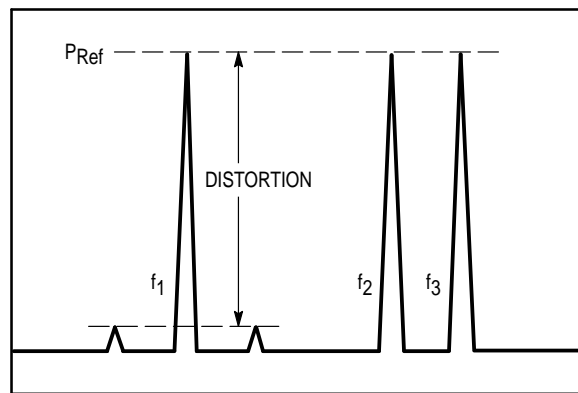


Figure 18. Triple Beat Distortion Test

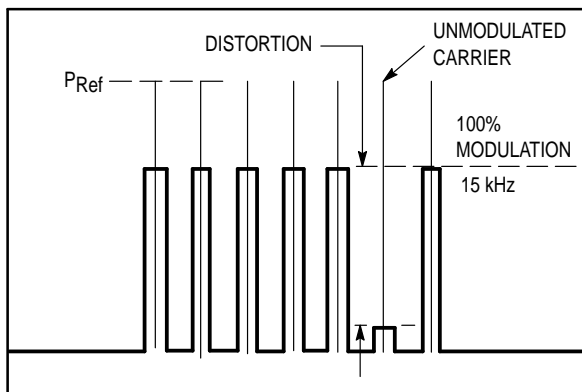


Figure 19. Cross Modulation Distortion Test

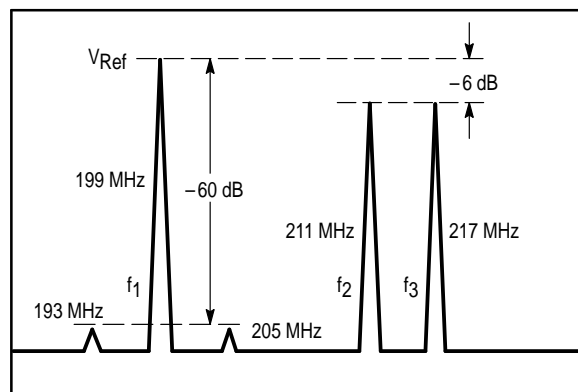
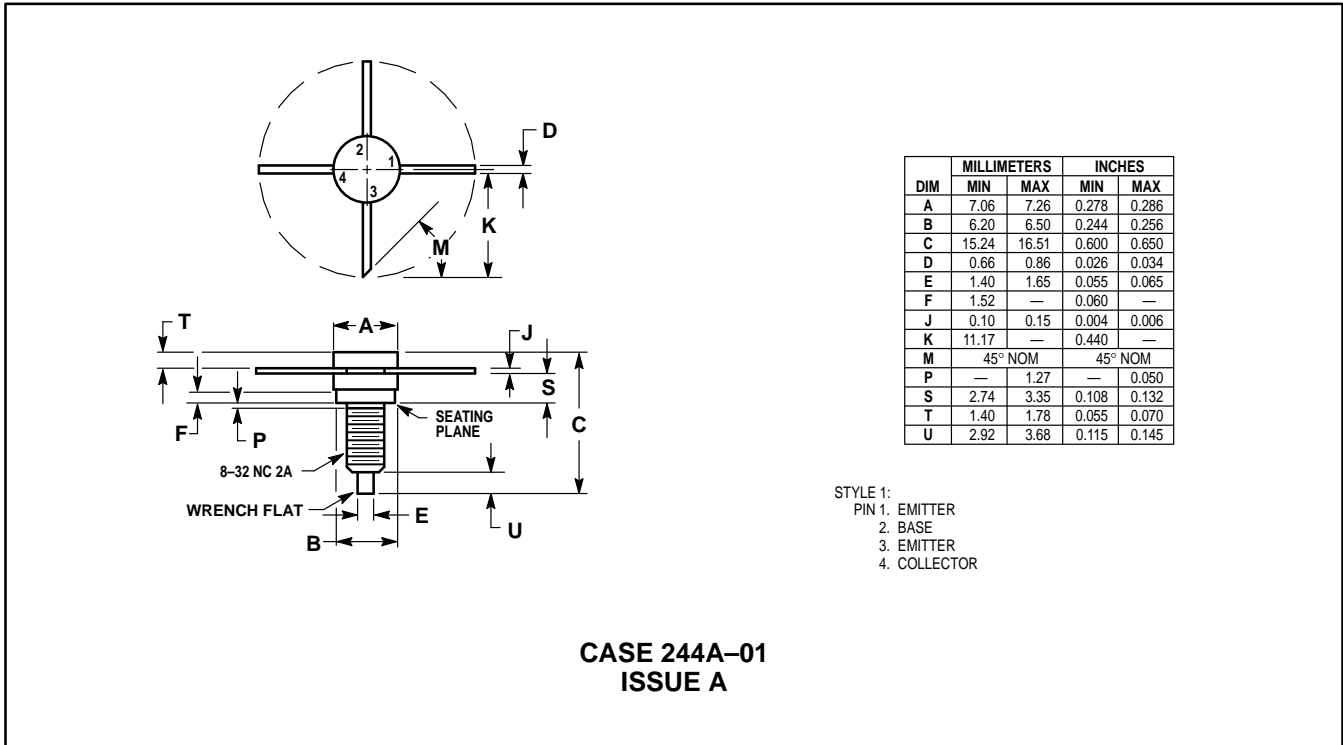


Figure 20. DIN 45004B Intermodulation Test

PACKAGE DIMENSIONS



Motorola reserves the right to make changes without further notice to any products herein. Motorola makes no warranty, representation or guarantee regarding the suitability of its products for any particular purpose, nor does Motorola assume any liability arising out of the application or use of any product or circuit, and specifically disclaims any and all liability, including without limitation consequential or incidental damages. "Typical" parameters can and do vary in different applications. All operating parameters, including "Typicals" must be validated for each customer application by customer's technical experts. Motorola does not convey any license under its patent rights nor the rights of others. Motorola products are not designed, intended, or authorized for use as components in systems intended for surgical implant into the body, or other applications intended to support or sustain life, or for any other application in which the failure of the Motorola product could create a situation where personal injury or death may occur. Should Buyer purchase or use Motorola products for any such unintended or unauthorized application, Buyer shall indemnify and hold Motorola and its officers, employees, subsidiaries, affiliates, and distributors harmless against all claims, costs, damages, and expenses, and reasonable attorney fees arising out of, directly or indirectly, any claim of personal injury or death associated with such unintended or unauthorized use, even if such claim alleges that Motorola was negligent regarding the design or manufacture of the part. Motorola and are registered trademarks of Motorola, Inc. Motorola, Inc. is an Equal Opportunity/Affirmative Action Employer.

Literature Distribution Centers:

USA: Motorola Literature Distribution; P.O. Box 20912; Phoenix, Arizona 85036.
 EUROPE: Motorola Ltd.; European Literature Centre; 88 Tanners Drive, Blakelands, Milton Keynes, MK14 5BP, England.
 JAPAN: Nippon Motorola Ltd.; 4-32-1, Nishi-Gotanda, Shinagawa-ku, Tokyo 141, Japan.
 ASIA PACIFIC: Motorola Semiconductors H.K. Ltd.; Silicon Harbour Center, No. 2 Dai King Street, Tai Po Industrial Estate, Tai Po, N.T., Hong Kong.

