



MOTOROLA

MC34017

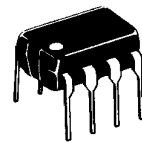
Advance Information

TELEPHONE TONE RINGER

- Complete Telephone Bell Replacement Circuit with Minimum External Components
- On-Chip Diode Bridge and Transient Protection
- Direct Drive for Piezoelectric Transducers
- Push Pull Output Stage for Greater Output Power Capability
- Base Frequency Options — MC34017-1: 1.0 kHz
MC34017-2: 2.0 kHz
MC34017-3: 500 Hz
- Input Impedance Signature Meets Bell and EIA Standards
- Rejects Rotary Dial Transients

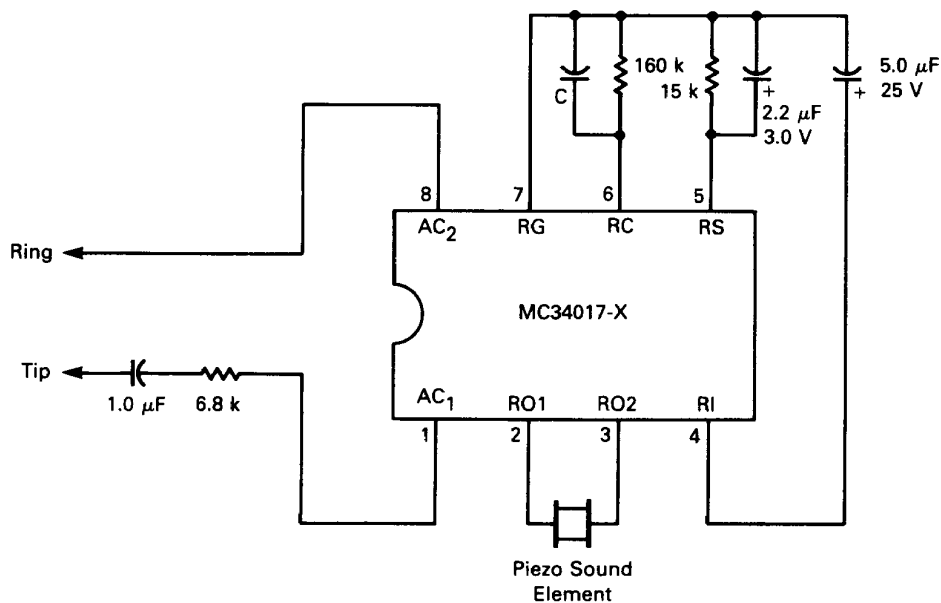
**TELEPHONE
TONE RINGER**

BIPOLAR LINEAR/I²L



**PLASTIC PACKAGE
CASE 626-04**

APPLICATION CIRCUIT



MC34017-1: C = 1000 pF
 MC34017-2: C = 500 pF
 MC34017-3: C = 2000 pF