

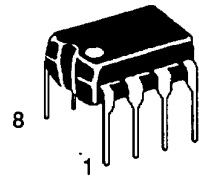


MC34117

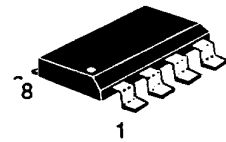
Product Preview

Telephone tone ringer

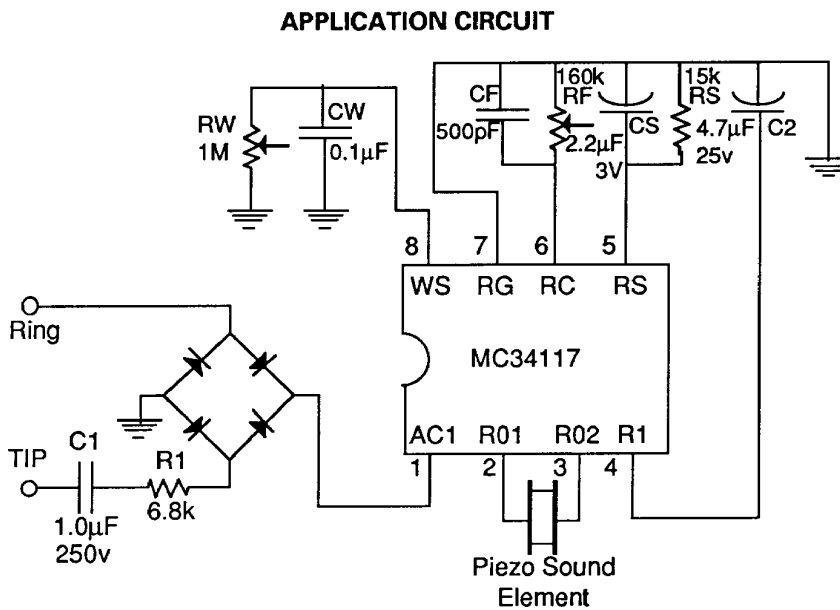
- Complete telephone bell replacement circuit with minimum external components.
- Direct drive for piezoelectric transducers.
- Push pull output stage for greater output power capability.
- Tone output frequency adjustable, 500Hz to 2,000Hz
- Warble frequency adjustable, 6Hz to 25Hz
- Input impedance signature meets Bell and EIA standards.
- Reject rotary dial transients.



P suffix
Plastic package
Case 626-04

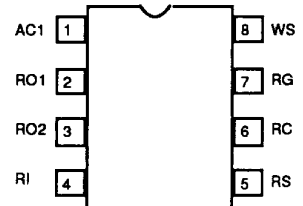


D suffix
Plastic package
Case 751A-01



RW: Warble frequency adjust resistor
RF: Fundamentalfrequency adjust resistor

PIN ASSIGNMENT



Ordering information
MC34117P Plastic DIP
MC34117D SOIC