



EIA-232-D/V.28 Driver/Receiver (Formerly RS-232-C)

The MC145406 is a silicon-gate CMOS IC that combines 3 drivers and 3 receivers to fulfill the electrical specifications of standards EIA-232-D and CCITT V.28. The drivers feature true TTL input compatibility, slew-rate-limited output, 300 ohms power-off source impedance, and output typically switching to within 25 percent of the supply rails. The receivers can handle up to ± 25 volts while presenting 3 to 7 kilohms impedance. Hysteresis in the receivers aids reception of noisy signals. By combining both drivers and receivers in a single CMOS chip, the MC145406 provides efficient, low-power solutions for EIA-232-D and V.28 applications.

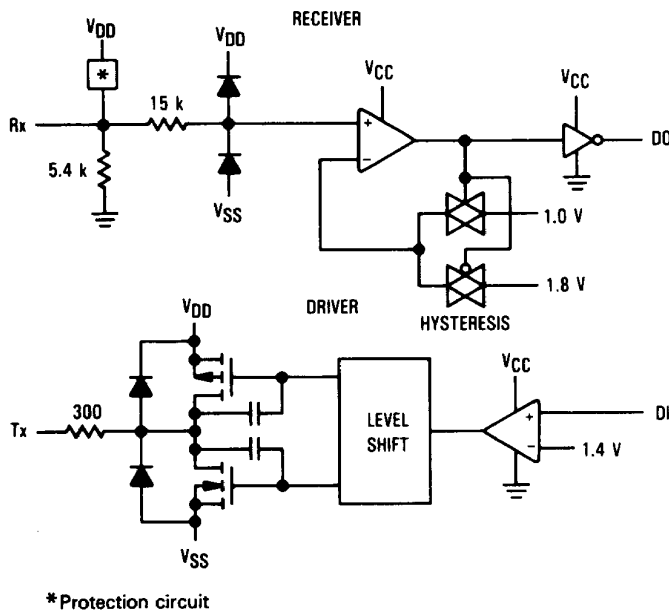
Drivers

- ± 5 to ± 12 V Supply Range
- 300 Ohms Power-Off Source Impedance
- Output Current Limiting
- TTL Compatible
- Maximum Slew Rate = $30 \text{ V}/\mu\text{s}$

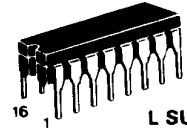
Receivers

- ± 25 V Input Voltage Range When $V_{DD} = 12 \text{ V}$, $V_{SS} = -12 \text{ V}$
- 3 to 7 Kilohms Input Impedance
- Hysteresis on Input Switchpoint

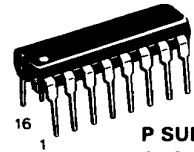
FUNCTION DIAGRAM



MC145406



L SUFFIX
CASE 620
CERAMIC

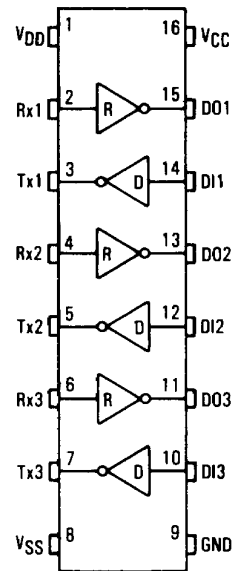


P SUFFIX
CASE 648
PLASTIC



DW SUFFIX
CASE 751G
SOIC

PIN ASSIGNMENT



D = DRIVER
R = RECEIVER