

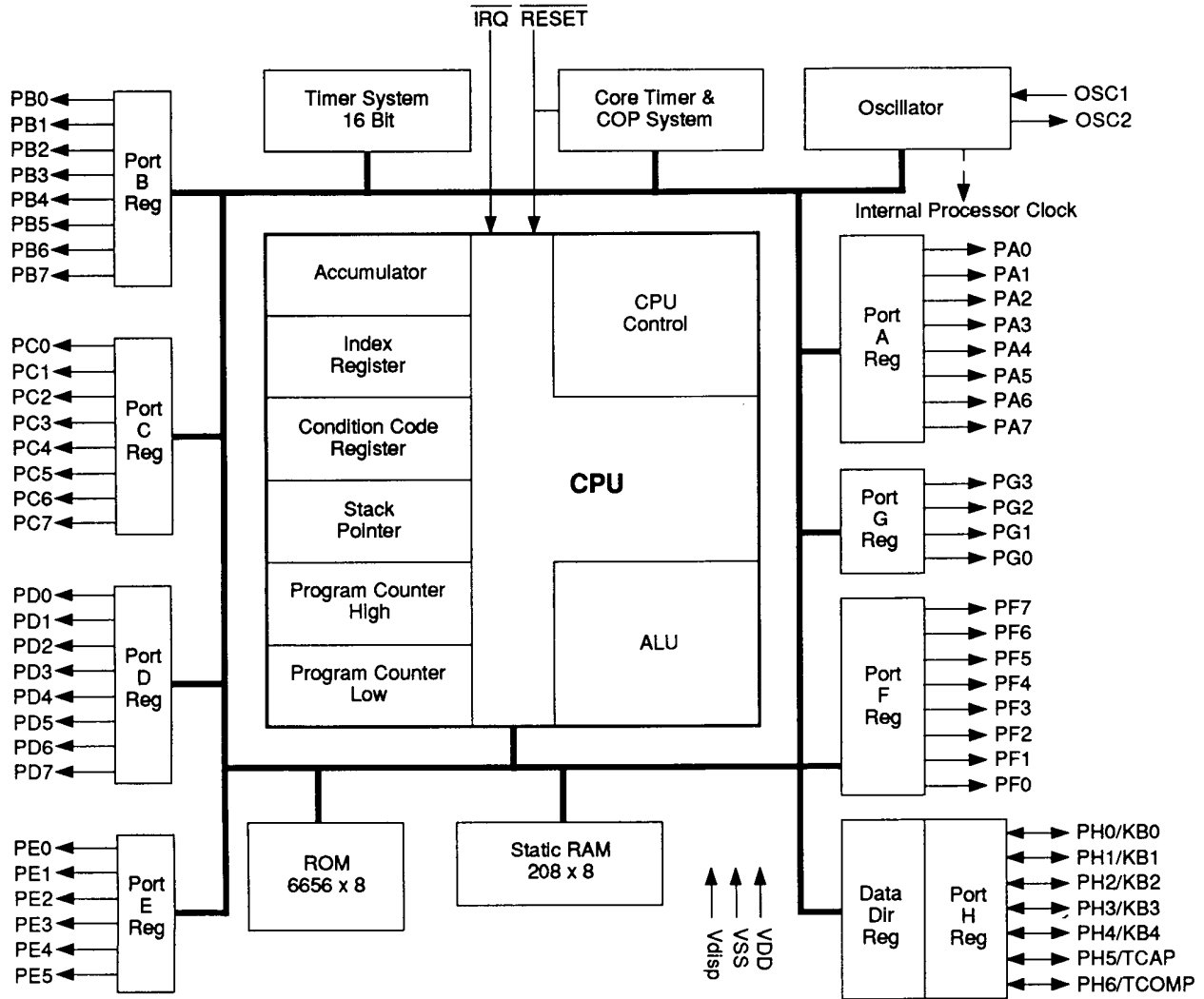
MOTOROLA
SEMICONDUCTOR
TECHNICAL DATA**MC68HC05M6***Product Preview***MC68HC05M6****microcomputer unit with VFD drive capacity**

The MC68HC05M6 (HCMOS) 8-bit microcomputer unit (MCU) is a member of the M68HC05 family of devices. Its special features include 7 high current/high voltage ports which provide a total of 50 output pins; 12 pins are available for Vacuum Fluorescent Display (VFD) grid driving and 38 pins for VFD anode driving. Other features include a 16-bit programmable timer with Input Capture and Output Compare functions and a keyboard interrupt making it suitable for applications which use keypads and displays, for example in TV, Hi Fi, dashboard and display panel applications. The MC68HC05M6 is available in both 68-pin PLCC and 64-pin QFP.


For more detailed information, contact your local Motorola sales office.

- HC05 8-bit core
- 6656 bytes of ROM
- 208 bytes of RAM
- 16-bit timer with Input Capture and Output Compare functions
- Multi-purpose core timer
- Real Time Interrupt (RTI)
- Computer Operating Properly (COP) watchdog timer
- Keyboard interrupt
- 50 output lines (on 7 ports)
- High current / high voltage VFD grid drive on 12 output lines
- High current / high voltage VFD anode drive on 38 output lines
- Power saving WAIT and low power STOP modes
- Available in 68-pin PLCC and 64-pin QFP packages





MC68HC05M6 Block Diagram

Motorola reserves the right to make changes without further notice to any products herein to improve reliability, function or design. Motorola does not assume any liability arising out of the application or use of any product or circuit described herein; neither does it convey any license under its patent rights nor the rights of others. Motorola products are not authorized for use as components in life support devices or systems intended for surgical implant into the body or intended to support or sustain life. Buyer agrees to notify Motorola of any such intended end use whereupon Motorola shall determine availability and suitability of its products for the use intended. Motorola and  are registered trademarks of Motorola, Inc. Motorola, Inc. is an Equal Employment Opportunity/Affirmative Action Employer.

Literature Distribution Centres:

USA: Motorola Literature Distribution; P.O. Box 20912; Phoenix, Arizona 85036.

EUROPE: Motorola Ltd.; European Literature Centre; 88 Tanners Drive, Blakelands, Milton Keynes, MK14 5BP, England.

ASIA PACIFIC: Motorola Semiconductors (H.K.) Ltd.; Silicon Harbour Center, No. 2, Dai King Street, Tai Po Industrial Estate, Tai Po, N.T., Hong Kong.

JAPAN: Nippon Motorola Ltd.; 4-32-1, Nishi-Gotanda, Shinagawaku, Tokyo 141, Japan.



MOTOROLA

Printed in Great Britain by Tavistock Press (Bedford) Ltd. 4000 8/90 P.O. 1175

FEB 12 1991

021611 ✓ G

**MC68HC05M6
ENP0103**