

Advance Information

**Low-Power Comparators plus
 Alarm-Driver Circuitry
 CMOS**

The MC14471 contains both digital and analog components for use as an alarm driver. The device consists of three comparators: one for the detection of an alarm condition, one to detect a low battery, and one to track the voltage of the alarm-detect input, without loading that input down. An on-chip oscillator is provided, which requires two external passive components. The part also contains circuitry to drive an external piezoelectric horn and a visible LED.

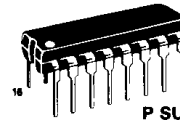
This device is used in any equipment that requires a battery-operated audible and/or visual alarm. The MC14471 operates in one of four possible environmental conditions: (1) no alarm condition/no low battery, (2) alarm condition/no low battery, (3) no alarm condition/low battery, and (4) alarm condition/low battery. While in the no alarm/no low battery condition, the status of the detect inputs are checked every 1.67 seconds. If an alarm/good battery condition exists, the detect inputs are sampled every 40 ms and the alarm is sounded. In this mode, the horn is repeatedly on for 160 ms and off for 80 ms and the LED flashes every 0.96 second until the alarm status goes away. If a no alarm/low battery condition is present, the detect inputs again are checked every 1.67 seconds and the horn and LED outputs are activated every 40 seconds with an on time of 10 ms. Lastly, during the alarm/low battery condition, the detect inputs are sampled every 40 ms, the horn sounds, and the LED flashes once per 0.96 second.

The trip point for the alarm input is typically 50% of V_{DD} , while the trip point of the low-battery input is established by an on-chip zener diode. These thresholds can be altered over a limited range with the use of external resistors connected to either V_{SS} or V_{DD} .

Applications for the MC14471 include liquid level detectors, soil moisture-content detectors, and virtually any situation in which an alarm is needed.

- Piezoelectric Horn Driver
- Guard Outputs on Both Sides of Alarm Detect Input
- Comparator Outputs for Alarm Detect and Low Battery
- Internal Reverse Battery Protection
- Electrostatic Discharge (ESD) and Latch-Up Protection Circuitry on All Pins
- Pin-for-Pin Compatible with the MC14467P1, without ± 1.0 pA Leakage Testing or UL217 Compatibility
- Operating Voltage Range: 6 to 12 V
- Average Supply Current: 12 μ A
- Operating Temperature Range: -10 to 60°C
- Chip Complexity: 239 FETs

MC14471

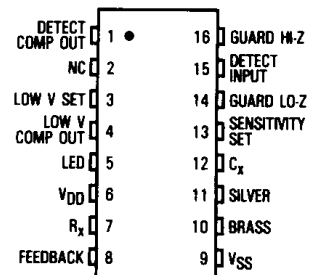


P SUFFIX
 PLASTIC
 CASE 648

ORDERING INFORMATION

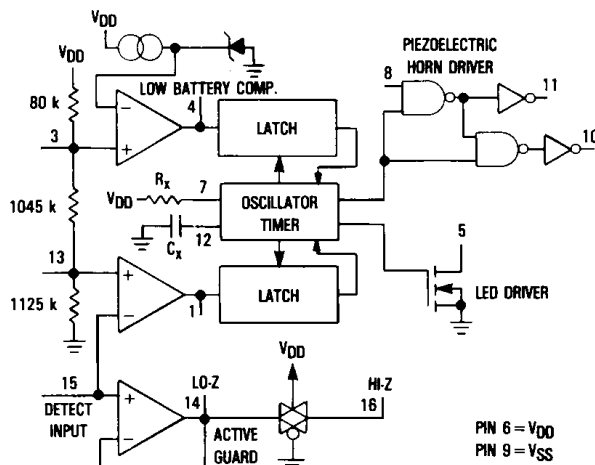
MC14471P PDIP

PIN ASSIGNMENT



This document contains information on a new product. Specifications and information herein are subject to change without notice.

BLOCK DIAGRAM



PIN 6 = VDD
PIN 9 = VSS

MAXIMUM RATINGS* (Voltages Referenced to V_{SS})

Symbol	Parameter	Value	Unit
V _{DD}	DC Supply Voltage	-0.5 to +15	V
V _{in}	DC Input Voltage, All Inputs Except Pin 8	-0.25 to V _{DD} + 0.25	V
I _{in}	DC Input Current, per Pin, Except Pin 15 = 1 mA	± 10	mA
I _{out}	DC Output Current, per Pin	± 30	mA
T _{stg}	Storage Temperature	-55 to +125	°C
T _L	Lead Temperature, 1 mm from Case for 10 Seconds	260	°C
t _{RB}	Reverse Battery Time	5.0	s

This device contains protection circuitry to guard against damage due to high static voltages or electric fields. However, precautions must be taken to avoid applications of any voltage higher than maximum rated voltages to this high-impedance circuit. For proper operation, V_{in} and V_{out} should be constrained to the range V_{SS} ≤ (V_{in} or V_{out}) ≤ V_{DD} except for pin 8, which can exceed V_{DD}.
Unused inputs must always be tied to an appropriate logic voltage level (e.g., either V_{SS} or V_{DD}). Unused outputs must be left open.

*Maximum Ratings are those values beyond which damage to the device may occur. Functional operation should be restricted to the limits in the Electrical Characteristics tables.

RECOMMENDED OPERATING CONDITIONS (Voltages Referenced to V_{SS})

Symbol	Parameter	Value	Unit
V _{DD}	DC Supply Voltage	9.0	V
C _x	Timing Capacitor (Can Use Up to ± 20% Tolerance)	0.1	μF
R _x	Timing Resistor (Can Use Up to ± 20% Tolerance)	8.2	MΩ
I _{ld}	Battery Load (Resistor or LED)	10	mA
T _A	Operating Temperature	-10 to +60	°C

ELECTRICAL CHARACTERISTICS (T_A = 25°C, Voltages Referenced to V_{SS})

Symbol	Parameter	Test Condition	V _{DD} V	Min	Max	Unit
V _{DD}	Power Supply Voltage Range		—	6.0	12	V
I _{DD}	Average Operating Supply Current	R _X = 8.20 MΩ	9.0 12.0	—	9.0 12.0	μA
V _{in}	Input Voltage Range, Pin 8		—	-10	V _{DD} + 10	V
V _{th}	Supply Threshold Voltage, Low-Supply Alarm		—	7.2	7.8	V
V _{ref}	Smoke Comparator Reference Voltage		—	47	53	%V _{DD}
V _{hys}	Hysteresis Voltage	Alarm Condition, Pin 13	9.0	75	150	mV
V _{CM}	Common Mode Voltage Range, Pin 15		—	0.6	V _{DD} - 2	V
V _{OS}	Offset Voltage	Active Guard Detect Comparator V _{in} = V _{DD} /2	9.0 9.0	—	± 100 ± 50	mV
I _{in}	Input Current, Detect Input	V _{in} = V _{SS} or V _{DD}	9.0	—	± 40	nA
C _{in}	Input Capacitance		—	—	TBD	pF
V _{OH}	High-Level Output Voltage	Piezoelectric Horn Drivers Comparators I _{out} = -16 mA I _{out} = -30 μA	7.2 9.0	6.3 8.5	—	V
V _{OL}	Low-Level Output Voltage	Piezoelectric Horn Drivers Comparators I _{out} = 16 mA I _{out} = 30 μA	7.2 9.0	—	0.9 0.5	V
V _{QL}	Low-Level Output Voltage	LED Driver I _{out} = 10 mA	7.2	—	3.0	V
Z _{out}	Output Impedance, Active Guard	Lo-Z, Pin 14 Hi-Z, Pin 16	9.0 9.0	—	10 1000	kΩ

4

AC ELECTRICAL CHARACTERISTICS (T_A = 25°C, V_{DD} = 9.0 V, C_X = 0.10 μF, R_X = 8.20 MΩ, See Figure 4)

Symbol	Parameter	Test Condition	Min	Typ	Max	Unit
1/f _{osc}	Oscillator Period	Free-Running Sawtooth Measured at Pin 12 No Alarm Alarm	1.34 32	1.67 40	2.0 48	s ms
t _r	Oscillator Rise Time		8	10	12	ms
t _w (Horn)	Horn Pulse Width	During Alarm Condition On Off	120 60	160 80	208 104	ms
t _w (LED)	LED Pulse Width	Between Pulses On	32 8	40 10	48 12	s ms
t _w (Horn)	Horn Pulse Width	During Low Battery On Between Pulses	8 32	10 40	12 48	ms s

DEVICE OPERATION

TIMING

The internal oscillator of the MC14471 operates with a period of 1.67 seconds during no-alarm conditions. Each 1.67 seconds, internal power is applied to the entire IC and a check is made for an alarm state, except during LED pulse, Low Battery Alarm Chirp, or Horn Modulation (in alarm condition). Every 24 clock cycles a check is made for low battery by comparing V_{DD} to an internal zener voltage.

The oscillator capacitor should be of a low-leakage type because of the low-current oscillator employed. Lastly, the tolerance of the external timing components must be no greater than ± 20%.

DETECT CIRCUITRY

If an alarm is detected, the oscillator period becomes 40 ms and the piezoelectric horn oscillator circuit is enabled. The horn output is modulated 160 ms on, 80 ms off. During the off time, the alarm condition is again checked and inhibits further horn output if an alarm condition is not sensed. During the alarm condition the low battery alarm is inhibited, but the LED pulses at a 1.0 Hz rate.

An active guard is provided on both pins adjacent to the detect input. The voltage at these pins is within 100 mV of the input signal. This keeps surface leakage currents to a minimum and provides a method of measuring the input voltage without loading the detect input pin. The active guard op amp is not power strobed and thus gives constant protection from surface leakage currents. The Detect Input has internal diode protection against static damage.

SENSITIVITY/LOW BATTERY THRESHOLDS

Both the sensitivity threshold and the low battery voltage levels are set internally by a common voltage divider connected between V_{DD} and V_{SS}. These voltages can be altered by external resistors connected from pins 3 or 13 to either V_{DD} or V_{SS}. Due to the common voltage divider network, there is a slight interaction between the thresholds.

TEST MODE

Because the internal op amps and comparators are power strobed, adjustments for sensitivity or low battery level may be difficult and time consuming. By forcing pin 12 to V_{SS},

MC14471

4

the power strobing is bypassed and the outputs, Pins 1 and 4, constantly show alarm/no alarm and good battery/low battery, respectively. Pin 1 = V_{DD} for smoke and Pin 4 = V_{DD} for low battery. In this mode and during the 10 ms power strobe, chip current rises to approximately 50 μ A.

LED PULSE

The 9-volt battery level is checked every 40 seconds during the LED pulse. The battery is loaded via a 10 mA pulse for

10 ms. If the LED is not used, it should be replaced with an equivalent resistor such that the battery loading remains at 10 mA.

HYSTERESIS

When an alarm is detected, the resistor/divider network that sets sensitivity is altered to increase sensitivity. This yields approximately 100 mV of hysteresis and reduces intermittent triggering.

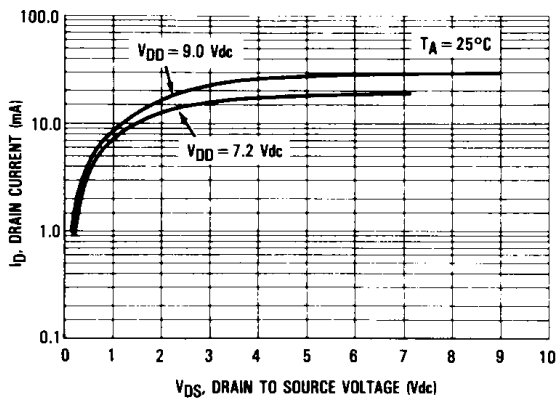


Figure 1. Typical LED Output I-V Characteristic

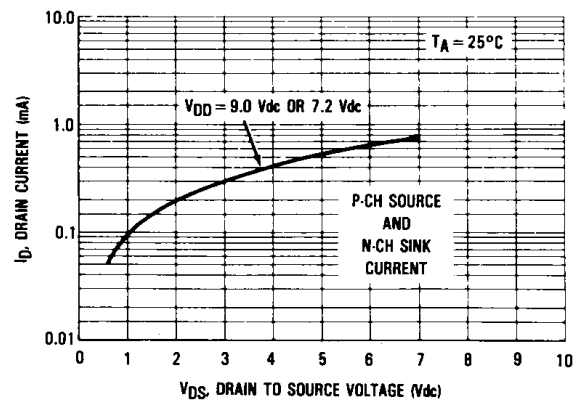


Figure 2. Typical Comparator Output I-V Characteristic

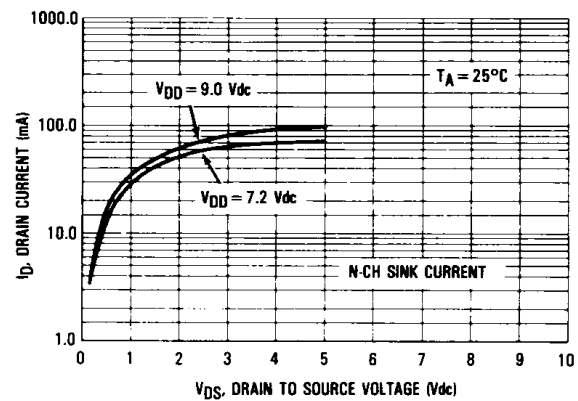
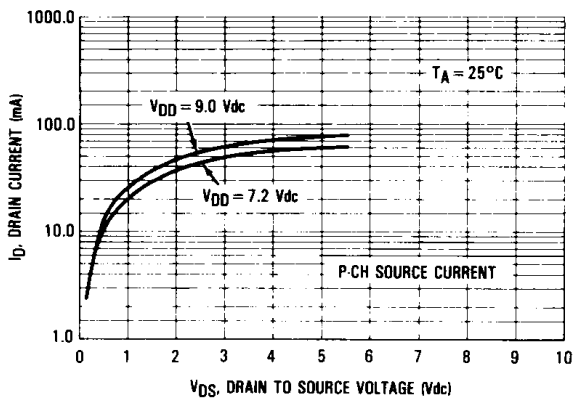
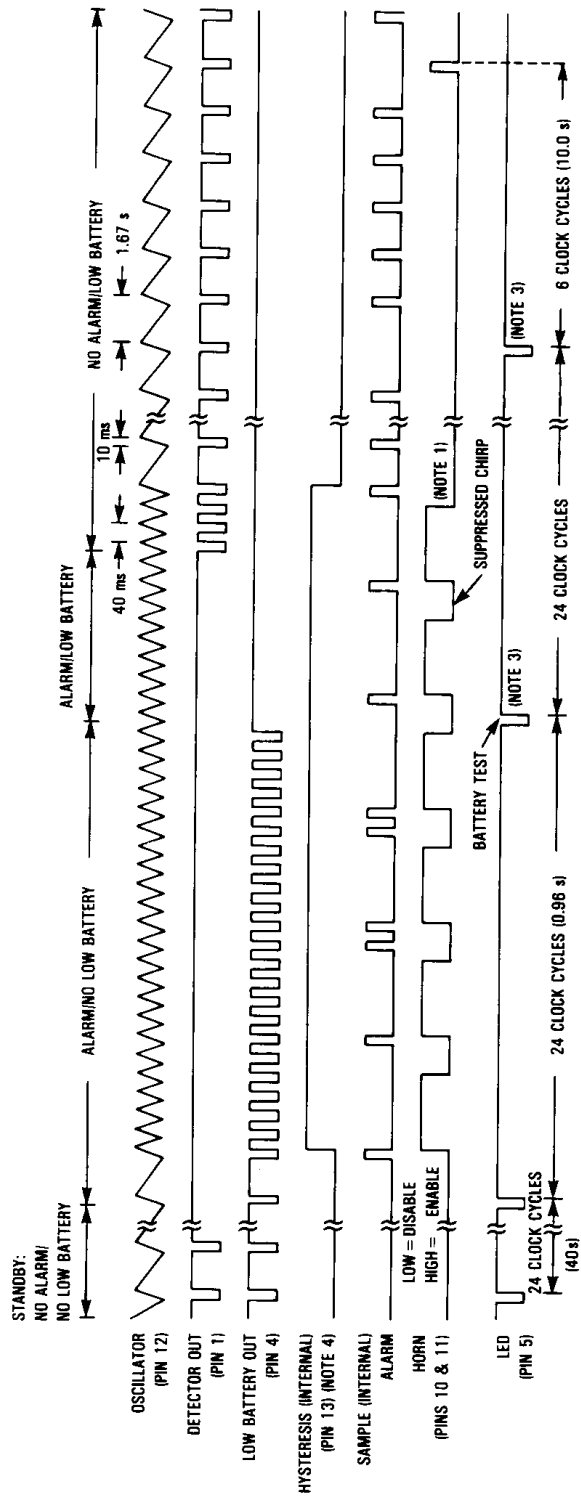


Figure 3. Typical P Horn Driver Output I-V Characteristic



- NOTES:
1. Horn modulation is self-completing. When going from alarm to no alarm, the alarm condition will terminate only when horn is off.
 2. Comparators are strobed on once per clock cycle (1.67 s for no alarm, 40 ms for alarm).
 3. Low battery comparator information is latched only during LED pulse.
 4. -100 mV/p-p swing.

Figure 4. Timing Diagram