

# 0.28" Dual Digit Display

## FEATURES

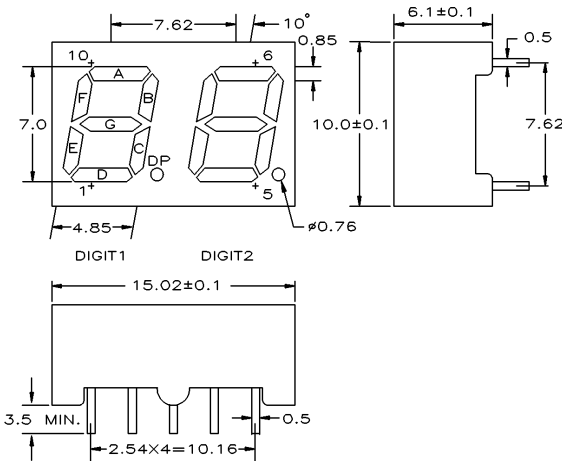
- 0.28" digit height
- Optional decimal point
- Additional colors/materials available

## OPTO-ELECTRICAL CHARACTERISTICS (Ta = 25°C)

PART NO.	PEAK WAVE LENGTH (nm)	EMITTED COLOR	FACE COLORS		MAXIMUM RATINGS			OPTO-ELECTRICAL CHARACTERISTICS						PIN-OUT	
			SURFACE COLOR	EPOXY COLOR	IF (mA)	VR (V)	PD (mW)	VF(V)			IR(μA)		IV(mcd)		
								typ.	max.	@mA	max.	@VR	typ. per seg.		@mA
MTN2228-11A	567	Green	Grey	White	30	5	85	2.1	2.6	20	100	5	2.5	10	1
MTN4228-11A	635	Orange	Grey	White	30	5	85	2.1	3.0	20	100	5	2.9	10	1
MTN4228R-11A	635	Hi-Eff Red	Red	Red	30	5	85	2.1	3.0	20	100	5	2.9	10	1
MTN2228-11C	567	Green	Grey	White	30	5	85	2.1	2.6	20	100	5	2.5	10	2
MTN4228-11C	635	Orange	Grey	White	30	5	85	2.1	3.0	20	100	5	2.9	10	2
MTN4228R-11C	635	Hi-Eff Red	Red	Red	30	5	85	2.1	3.0	20	100	5	2.9	10	2

Operating Temperature: -25~+85, Storage Temperature: -25~+100. Other face/epoxy colors are available.

## PACKAGE DIMENSIONS AND PIN FUNCTIONS



### PINOUT 1

COMMON ANODE

PIN NO. FUNCTION

1. CATHODE E
2. CATHODE D
3. CATHODE C
4. CATHODE G
5. CATHODE DP
6. D2 COMMON ANODE
7. CATHODE A
8. CATHODE B
9. D1 COMMON ANODE
10. CATHODE F

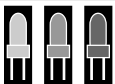
### PINOUT 2

COMMON CATHODE

PIN NO. FUNCTION

1. ANODE E
2. ANODE D
3. ANODE C
4. ANODE G
5. ANODE DP
6. D2 COMMON CATHODE
7. ANODE A
8. ANODE B
9. D1 COMMON CATHODE
10. ANODE F

1. ALL DIMENSIONS ARE IN mm, TOLERANCE IS  $\pm 0.25$ mm UNLESS OTHERWISE SPECIFIED.
2. THE SLOPE ANGLE OF ANY PIN MAY BE  $\pm 5.0^\circ$  MAX.



**marktech**  
**optoelectronics**

120 Broadway • Menands, New York 12204

Toll Free: (800) 98-4LEDS • Fax: (518) 432-7454

For up-to-date product info visit our web site at [www.marktechopto.com](http://www.marktechopto.com)

All specifications subject to change.