

0.4" Dual Digit Display

FEATURES

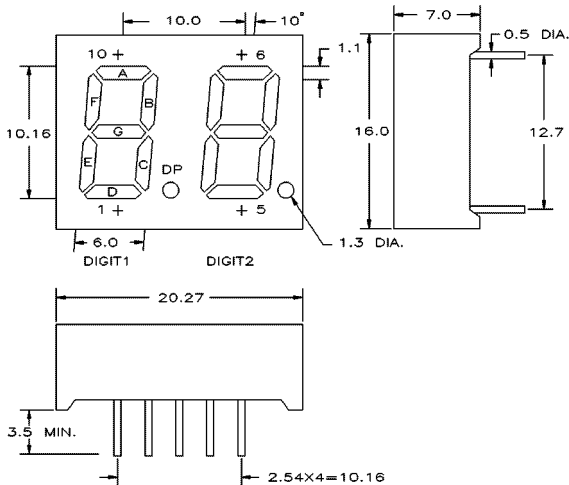
- 0.4" digit height
- Right hand decimal point
- Duplex drive
- Additional colors/materials available

OPTO-ELECTRICAL CHARACTERISTICS (Ta = 25°C)

PART NO.	PEAK WAVE LENGTH (nm)	EMITTED COLOR	FACE COLORS		MAXIMUM RATINGS			OPTO-ELECTRICAL CHARACTERISTICS						PIN-OUT	
			SURFACE COLOR	EPOXY COLOR	IF (mA)	VR (V)	PD (mW)	VF(V)			IR(μA)		IV(μcd)		
								typ.	max.	@mA	max.	@VR	typ. per seg.		@mA
MTN2240-11A	567	Green	Grey	White	30	5	85	2.1	3.0	20	100	5	2900	10	1
MTN4240-11A	635	Orange	Grey	White	30	5	85	2.1	3.0	20	100	5	3300	10	1
MTN4240R-11A	635	Hi-Eff Red	Red	Red	30	5	85	2.1	3.0	20	100	5	3300	10	1
MTN7240M-11A	660	Ultra Red	Grey	White	30	4	70	1.7	2.2	20	100	4	17300	20	1
MTN2240-11C	567	Green	Grey	White	30	5	85	2.1	3.0	20	100	5	2900	10	2
MTN4240-11C	635	Orange	Grey	White	30	5	85	2.1	3.0	20	100	5	3300	10	2
MTN4240R-11C	635	Hi-Eff Red	Red	Red	30	5	85	2.1	3.0	20	100	5	3300	10	2
MTN7240M-11C	660	Ultra Red	Grey	White	30	4	70	1.7	2.2	20	100	4	17300	20	2

Operating Temperature: -25~+85, Storage Temperature: -25~+100. Other face/epoxy colors are available.

PACKAGE DIMENSIONS AND PIN FUNCTIONS



PINOUT 1

COMMON ANODE

PIN NO. FUNCTION

1. CATHODE D
2. CATHODE DP
3. CATHODE E
4. CATHODE C
5. D2 COMMON ANODE
6. CATHODE B
7. CATHODE A
8. CATHODE F
9. CATHODE G
10. D1 COMMON ANODE

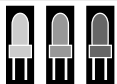
PINOUT 2

COMMON CATHODE

PIN NO. FUNCTION

1. ANODE D
2. ANODE DP
3. ANODE E
4. ANODE C
5. D2 COMMON CATHODE
6. ANODE B
7. ANODE A
8. ANODE F
9. ANODE G
10. D1 COMMON CATHODE

1. ALL DIMENSIONS ARE IN mm, TOLERANCE IS ± 0.25 mm UNLESS OTHERWISE SPECIFIED.
2. THE SLOPE ANGLE OF ANY PIN MAY BE $\pm 5.0^\circ$ MAX.



marktech
optoelectronics

120 Broadway • Menands, New York 12204

Toll Free: (800) 98-4LEDS • Fax: (518) 432-7454

For up-to-date product info visit our web site at www.marktechopto.com

All specifications subject to change.