

# 0.54" Dual Digit Alpha Numeric Display

## FEATURES

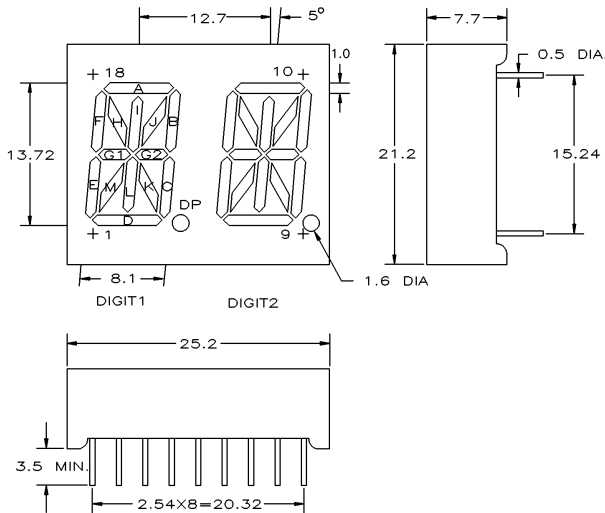
- 0.54" digit height
- Right hand decimal point
- Additional colors/materials available

## OPTO-ELECTRICAL CHARACTERISTICS (Ta = 25°C)

PART NO.	PEAK WAVE LENGTH (nm)	EMITTED COLOR	FACE COLORS		MAXIMUM RATINGS			OPTO-ELECTRICAL CHARACTERISTICS						PIN-OUT	
			SURFACE COLOR	EPOXY COLOR	IF (mA)	VR (V)	PD (mW)	VF(V)			IR(μA)		IV(μcd)		
								typ.	max.	@mA	max.	@VR	typ. per seg.		@mA
MTAN2254-11A	567	Green	Grey	White	30	5	85	2.1	3.0	20	100	5	2900	10	1
MTAN4254-11A	635	Orange	Grey	White	30	5	85	2.1	3.0	20	100	5	3300	10	1
MTAN4254R-11A	635	Hi-Eff Red	Red	Red	30	5	85	2.1	3.0	20	100	5	3300	10	1
MTAN7254M-11A	660	Ultra Red	Grey	White	30	4	70	1.7	2.2	20	100	4	17300	20	1
MTAN2254-11C	567	Green	Grey	White	30	5	85	2.1	3.0	20	100	5	2900	10	2
MTAN4254-11C	635	Orange	Grey	White	30	5	85	2.1	3.0	20	100	5	3300	10	2
MTAN4254R-11C	635	Hi-Eff Red	Red	Red	30	5	85	2.1	3.0	20	100	5	3300	10	2
MTAN7254M-11C	660	Ultra Red	Grey	White	30	4	70	1.7	2.2	20	100	4	17300	20	2

Operating Temperature: -25~+85, Storage Temperature: -25~+100. Other face/epoxy colors are available.

## PACKAGE DIMENSIONS AND PIN FUNCTIONS



### PINOUT 1

COMMON ANODE

PIN NO. FUNCTION

1. CATHODE E
2. CATHODE M
3. NO CONNECTION
4. CATHODE L
5. CATHODE K
6. CATHODE G2
7. CATHODE D
8. CATHODE DP
9. CATHODE C
10. CATHODE B
11. D2 COMMON ANODE
12. CATHODE A
13. CATHODE G1
14. CATHODE J
15. CATHODE I
16. D1 COMMON ANODE
17. CATHODE H
18. CATHODE F

### PINOUT 2

COMMON CATHODE

PIN NO. FUNCTION

1. ANODE E
2. ANODE M
3. NO CONNECTION
4. ANODE L
5. ANODE K
6. ANODE G2
7. ANODE D
8. ANODE DP
9. ANODE C
10. ANODE B
11. D2 COMMON CATHODE
12. ANODE A
13. ANODE G1
14. ANODE J
15. ANODE I
16. D1 COMMON CATHODE
17. ANODE H
18. ANODE F

1. ALL DIMENSIONS ARE IN mm, TOLERANCE IS ±0.25mm UNLESS OTHERWISE SPECIFIED.  
2. THE SLOPE ANGLE OF ANY PIN MAY BE ±5.0° MAX.



120 Broadway • Menands, New York 12204  
Toll Free: (800) 98-4LEDS • Fax: (518) 432-7454

For up-to-date product info visit our web site at [www.marktechopto.com](http://www.marktechopto.com)

All specifications subject to change.