

0.56" Single Digit Display

FEATURES

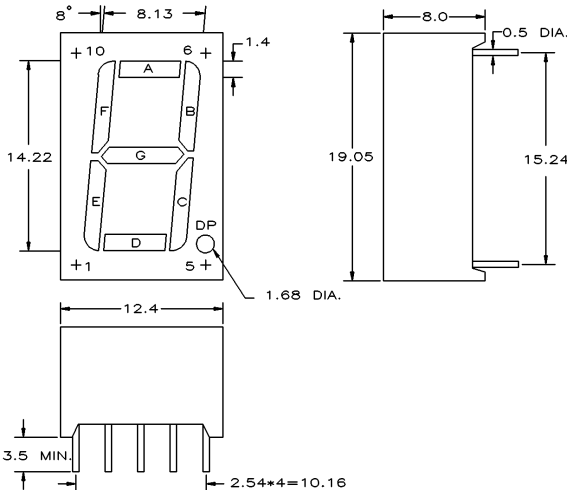
- 0.56" digit height
- Right hand decimal point
- Additional colors/materials available

OPTO-ELECTRICAL CHARACTERISTICS (Ta = 25°C)

| PART NO. | PEAK WAVE LENGTH (nm) | EMITTED COLOR | FACE COLORS | | MAXIMUM RATINGS | | | OPTO-ELECTRICAL CHARACTERISTICS | | | | | | PIN-OUT | |
|--------------|-----------------------|---------------|---------------|-------------|-----------------|--------|---------|---------------------------------|------|-----|--------|-----|---------------|---------|-----|
| | | | SURFACE COLOR | EPOXY COLOR | IF (mA) | VR (V) | PD (mW) | VF(V) | | | IR(μA) | | IV(μcd) | | |
| | | | | | | | | typ. | max. | @mA | max. | @VR | typ. per seg. | | @mA |
| MTN2156-AG | 567 | Green | Grey | White | 30 | 5 | 85 | 2.1 | 3.0 | 20 | 100 | 5 | 2900 | 10 | 1 |
| MTN4156-AO | 635 | Orange | Grey | White | 30 | 5 | 85 | 2.1 | 3.0 | 20 | 100 | 5 | 3300 | 10 | 1 |
| MTN4156-AHR | 635 | Hi-Eff Red | Red | Red | 30 | 5 | 85 | 2.1 | 3.0 | 20 | 100 | 5 | 3300 | 10 | 1 |
| MTN7156M-11A | 660 | Ultra Red | Black | White | 30 | 4 | 70 | 1.7 | 2.2 | 20 | 100 | 4 | 17300 | 20 | 1 |
| MTN2156-CG | 567 | Green | Grey | White | 30 | 5 | 85 | 2.1 | 3.0 | 20 | 100 | 5 | 2900 | 10 | 2 |
| MTN4156-CO | 635 | Orange | Grey | White | 30 | 5 | 85 | 2.1 | 3.0 | 20 | 100 | 5 | 3300 | 10 | 2 |
| MTN4156-CHR | 635 | Hi-Eff Red | Red | Red | 30 | 5 | 85 | 2.1 | 3.0 | 20 | 100 | 5 | 3300 | 10 | 2 |
| MTN7156M-11C | 660 | Ultra Red | Black | White | 30 | 4 | 70 | 1.7 | 2.2 | 20 | 100 | 4 | 17300 | 20 | 2 |

Operating Temperature: -25~+85, Storage Temperature: -25~+100. Other face/epoxy colors are available.

PACKAGE DIMENSIONS AND PIN FUNCTIONS



PINOUT 1

COMMON ANODE

PIN NO. FUNCTION

1. CATHODE E
2. CATHODE D
3. COMMON ANODE
4. CATHODE C
5. CATHODE DP
6. CATHODE B
7. CATHODE A
8. COMMON ANODE
9. CATHODE F
10. CATHODE G

PINOUT 2

COMMON CATHODE

PIN NO. FUNCTION

1. ANODE E
2. ANODE D
3. COMMON CATHODE
4. ANODE C
5. ANODE DP
6. ANODE B
7. ANODE A
8. COMMON CATHODE
9. ANODE F
10. ANODE G

1. ALL DIMENSIONS ARE IN mm, TOLERANCE IS ± 0.25 mm UNLESS OTHERWISE SPECIFIED.
2. THE SLOPE ANGLE OF ANY PIN MAY BE $\pm 5.0^\circ$ MAX.



120 Broadway • Menands, New York 12204
Toll Free: (800) 98-4LEDS • Fax: (518) 432-7454

For up-to-date product info visit our web site at www.marktechopto.com

All specifications subject to change.