

# 1.0" Bi-Color Single Digit Display

## FEATURES

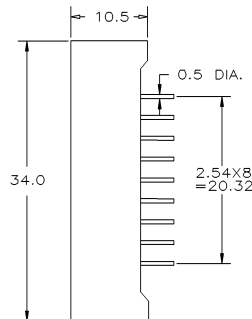
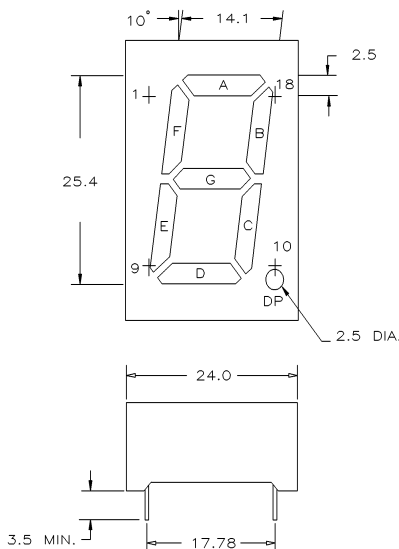
- 1.0" digit height
- Right hand decimal point
- Grey surface/white epoxy color

## OPTO-ELECTRICAL CHARACTERISTICS (Ta = 25°C)

PART NO.	EMITTED COLOR	PEAK WAVE LENGTH (nm)	MAXIMUM RATINGS			OPTO-ELECTRICAL CHARACTERISTICS								PIN-OUT
			IF (mA)	VR (V)	PD (mW)	VF(V)			IR(μA)		IV(μcd)			
						seg. typ.	DP typ.	@mA	max.	@VR	typ. per seg.	@mA		
MTN6125-CRG	(R)	Red	700	30	5	85	4.2	2.1	20	100	5	1200	10	1
	(G)	Green	567	30	5	85	4.2	2.1	20	100	5	4600	10	1
MTN6125-CHRG	(HR)	Hi-Eff Red	635	30	5	85	4.2	2.1	20	100	5	5200	10	1
	(G)	Green	567	30	5	85	4.2	2.1	20	100	5	4600	10	1

Operating Temperature: -25~+85, Storage Temperature: -25~+100. Other face/epoxy colors are available.

## PACKAGE DIMENSIONS AND PIN FUNCTIONS



### PINOUT 1

PIN NO.	FUNCTION
1.	ANODE A (GREEN)
2.	ANODE A (HR OR RED)
3.	ANODE F (HR OR RED)
4.	ANODE F (GREEN)
5.	COMMON CATHODE
6.	ANODE E (HR OR RED)
7.	ANODE E (GREEN)
8.	ANODE D (GREEN)
9.	ANODE D (HR OR RED)
10.	ANODE RHDP (GREEN)
11.	ANODE RHDP (HR OR RED)
12.	ANODE C (GREEN)
13.	ANODE C (HR OR RED)
14.	ANODE G (GREEN)
15.	ANODE G (HR OR RED)
16.	ANODE B (GREEN)
17.	ANODE B (HR OR RED)
18.	COMMON CATHODE

1. ALL DIMENSIONS ARE IN mm, TOLERANCE IS  $\pm 0.25$ mm UNLESS OTHERWISE SPECIFIED.
2. THE SLOPE ANGLE OF ANY PIN MAY BE  $\pm 5.0^\circ$  MAX.



120 Broadway • Menands, New York 12204

Toll Free: (800) 98-4LEDS • Fax: (518) 432-7454

For up-to-date product info visit our web site at [www.marktechopto.com](http://www.marktechopto.com)

All specifications subject to change.