

# 4.0" Bi-Color Single Digit Display

## FEATURES

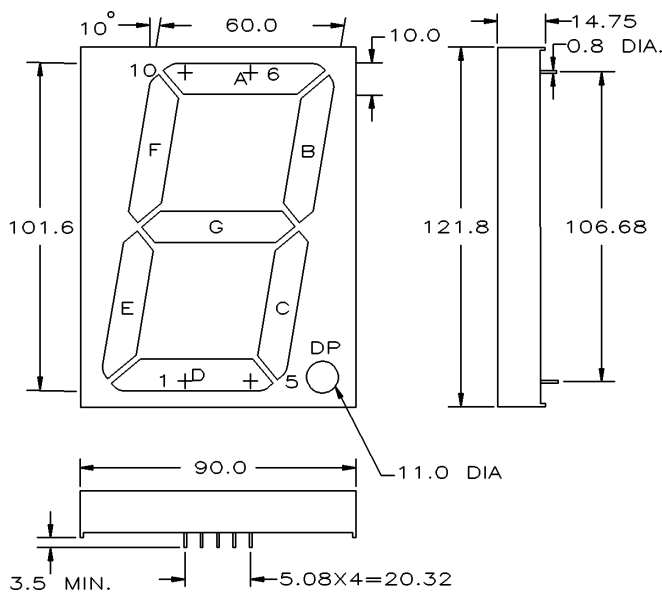
- 4.0" digit height
- Low current requirement
- High Light output
- Reliable and Rugged

## OPTO-ELECTRICAL CHARACTERISTICS (Ta = 25°C)

PART NO.	EMITTED COLOR		PEAK WAVE LENGTH (nm)		MAXIMUM RATINGS			OPTO-ELECTRICAL CHARACTERISTICS													PIN-OUT	
					IF (mA)	VR (V)	PD (mW)	VF(V) Segment			VF(V) DP			IR(μA)		IV(mcd)						
								typ.	max.	@mA	typ.	max.	@mA	max.	@VR	typ. per seg.	typ. per seg.	@mA	typ. per dp.	typ. per dp.		@mA
MTN6141-AHRG	GRN	ORNG	567	635	30	5	85	8.4	12	40	4.2	6.0	20	100	5	8.6	9.8	20	8.6	9.8	10	1
MTN6141-CHRG	GRN	ORNG	567	635	30	5	85	8.4	12	40	4.2	6.0	20	100	5	8.6	9.8	20	8.6	9.8	10	2
MTN6141-ARG	GRN	RED	567	700	30	5	85	8.4	12	40	4.2	6.0	20	100	5	8.6	2.3	20	8.6	2.3	10	1
MTN6141-CRG	GRN	RED	567	700	30	5	85	8.4	12	40	4.2	6.0	20	100	5	8.6	2.3	20	8.6	2.3	10	2

Operating Temperature: -25~+85, Storage Temperature: -25~+100.

## PACKAGE DIMENSIONS AND PIN FUNCTIONS



### PINOUT 1

COMMON ANODE

PIN NO. FUNCTION

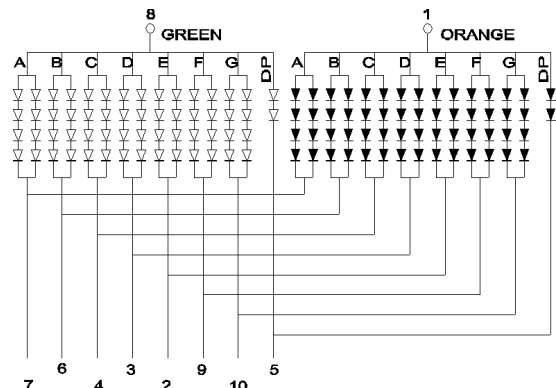
1. COMMON ANODE (HR)
2. CATHODE E
3. CATHODE D
4. CATHODE C
5. CATHODE DP
6. CATHODE B
7. CATHODE A
8. COMMON ANODE (G)
9. CATHODE F
10. CATHODE G

### PINOUT 2

COMMON CATHODE

PIN NO. FUNCTION

1. COMMON CATHODE (HR)
2. ANODE E
3. ANODE D
4. ANODE C
5. ANODE DP
6. ANODE B
7. ANODE A
8. COMMON CATHODE (G)
9. ANODE F
10. ANODE G



1. ALL DIMENSIONS ARE IN mm, TOLERANCE IS  $\pm 0.25$ mm UNLESS OTHERWISE SPECIFIED.
2. THE SLOPE ANGLE OF ANY PIN MAY BE  $\pm 5.0^\circ$  MAX.



120 Broadway • Menands, New York 12204  
Toll Free: (800) 98-4LEDS • Fax: (518) 432-7454

For up-to-date product info visit our web site at [www.marktechopto.com](http://www.marktechopto.com)

All specifications subject to change.