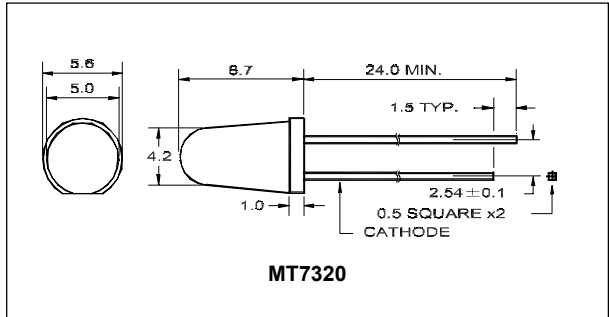


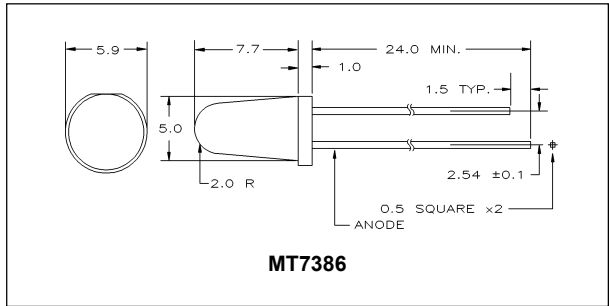
# Ultra Bright T-1<sup>3</sup>/<sub>4</sub> LED Lamps

## FEATURES

- Excellent on/off contrasts
- Low drive current
- High intensity red light emission
- Tapered package
- Water clear lens
- Can be packaged on tape in a reel or in a box



MT7320



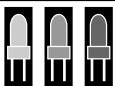
MT7386

## MAXIMUM RATINGS (Ta = 25°C)

PART NO.	FORWARD CURRENT (I <sub>f</sub> ) (mA)	REVERSE VOLTAGE (V <sub>r</sub> ) (V)	POWER DISSIPATION (P <sub>D</sub> ) (mW)	OPERATING TEMPERATURE (T <sub>opr</sub> ) (°C)	STORAGE TEMPERATURE (T <sub>stg</sub> ) (°C)
MT7320-UR	30	4.0	70	-25~+85	-25~+100
MT7320A-UR	30	4.0	70	-25~+85	-25~+100
MT7386-UR	30	4.0	70	-25~+85	-25~+100
MT7386A-UR	30	4.0	70	-25~+85	-25~+100

## OPTO-ELECTRICAL CHARACTERISTICS (Ta = 25°C)

PART NO.	MATERIAL	LENS COLOR	VIEWING ANGLE typ.	LUMINOUS INTENSITY (mcd)			FORWARD VOLTAGE (V)			REVERSE CURRENT		PEAK WAVE LENGTH
				min.	typ.	@mA	typ.	max.	@mA	μA	Vr	nm
MT7320-UR	GaAlAs	Water Clear	20°	220	555	20	1.9	2.5	20	100	4	660
MT7320A-UR	GaAlAs/GaAs	Water Clear	20°	465	1170	20	1.9	2.5	20	100	4	660
MT7386-UR	GaAlAs	Water Clear	26°	--	475	20	1.9	2.5	20	100	4	660
MT7386A-UR	GaAlAs/GaAs	Water Clear	26°	--	1250	20	1.9	2.5	20	100	4	660



**marktech**  
**optoelectronics**

120 Broadway • Menands, New York 12204

Toll Free: (800) 98-4LEDS • Fax: (518) 432-7454