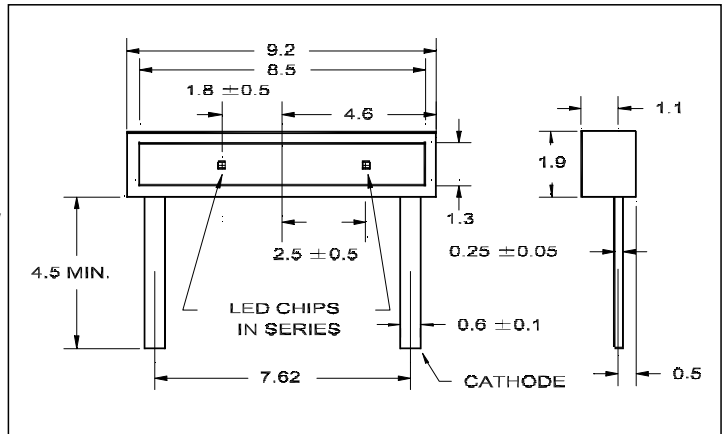


LED Backlight Luminators

FEATURES

- Thin package style for easy insertion under LCDs
- No heat dissipation
- Provides sturdy mechanical support for LCD module
- Low power consumption



MAXIMUM RATINGS (Ta = 25°C)

PART NO.	FORWARD CURRENT (I _F) (mA)	REVERSE VOLTAGE (V _R) (V)	POWER DISSIPATION (P _D) (mW)	OPERATING TEMPERATURE (T _{opr}) (°C)	STORAGE TEMPERATURE (T _{stg}) (°C)
MTBL1410-RG	30	10.0	100	-25~+85	-25~+100
MTBL2410-G	30	10.0	85	-25~+85	-25~+100
MTBL2410-TUG	30	5.0	70	-25~+85	-25~+100
MTBL3410-Y	30	10.0	85	-25~+85	-25~+100
MTBL4410-A	30	10.0	85	-25~+85	-25~+100
MTBL4410-HR	30	10.0	85	-25~+85	-25~+100
MTBL7410-UR	30	6.0	70	-25~+85	-25~+100
MTBLB410-UBL	30	5.0	70	-25~+85	-25~+100



OPTO-ELECTRICAL CHARACTERISTICS (Ta = 25°C)

PART NO.	EMITTED COLOR	LUMINOUS INTENSITY (mcd) per segment			FORWARD VOLTAGE (V)			PEAK WAVE LENGTH	Static Sensitive
		min.	typ.	@mA	typ.	max.	@mA	nm	
MTBL1410-RG	GaP Red	7.2	11.9	20	4.2	6.0	20	700	—
MTBL2410-G	Green	18.5	30.8	20	4.2	6.0	20	567	—
MTBL2410-TUG	Green	20.0	30.0	20	3.0	3.8	20	505	
MTBL3410-Y	Yellow	15.1	25.2	20	4.2	6.0	20	585	—
MTBL4410-A	Amber	21.3	35.6	20	4.2	6.0	20	610	—
MTBL4410-HR	Hi-Eff Red/Orange	21.3	35.6	20	4.2	6.0	20	635	—
MTBL7410-UR	Ultra Bright Red	45.0	76.0	20	3.8	5.0	20	660	—
MTBLB410-UBL	Blue	13.0	25.0	20	3.8	4.5	20	470	



120 Broadway • Menands, New York 12204
Toll Free: (800) 98-4LEDS • Fax: (518) 432-7454