

# Visible LED

## MT2010A-UG

### Applications -

- Color Sensor (Money-Bill)
- Paper Sensor (Money-Bill)
- Bar Code Reader
- Fiber Applications

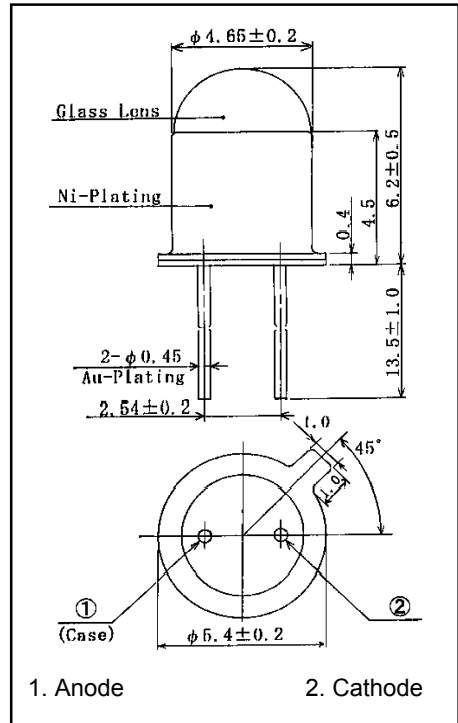
### Features -

- Narrow Beam Angle
- High Reliability

### MAXIMUM RATINGS (Ta = 25°C)

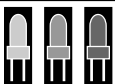
CHARACTERISTIC	SYMBOL	RATING	UNIT
Forward Current	$I_F$	50	mA
Pulse IF*	$I_{FP}$	0.3	A
Reverse Voltage	$V_R$	5	V
Power Dissipation	$P_D$	140	mW
Operating Temperature	$T_{opr}$	-20~85	°C
Storage Temperature	$T_{stg}$	-30~100	°C
Junction Temperature	$T_j$	100	°C

\*tw=10μS, T=10mS



### OPTO-ELECTRICAL CHARACTERISTICS (Ta = 25°C)

CHARACTERISTIC	SYMBOL	TEST CONDITION	MIN.	TYP.	MAX.	UNIT
Power Output	PO	IF = 20mA	—	0.35	—	mW
Forward Voltage	$V_F$	IF = 20mA	—	2.4	2.8	V
Reverse Current	$I_R$	VR = 5V	—	—	100	μA
Peak Emission Wavelength	$\lambda_p$	IF = 20mA	—	574	—	nm
Spectral Line Half Width	$\Delta\lambda$	IF = 20mA	—	11	—	nm
Beam Angle	$\theta$	—	—	±8	—	°



**marktech**  
**optoelectronics**

120 Broadway • Menands, New York 12204

Toll Free: (800) 98-4LEDS • Fax: (518) 432-7454

# Visible LED

## MT2010A-UG Graphs -

