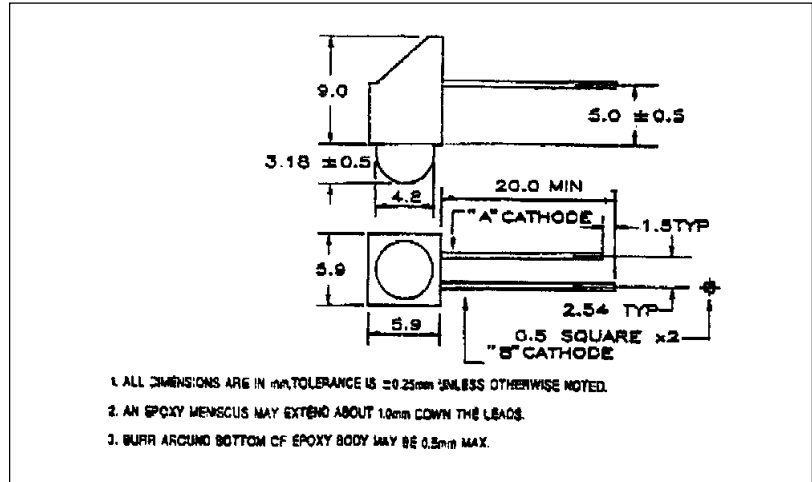


Bi-Color Packaged LEDs/PCB Mount Indicators

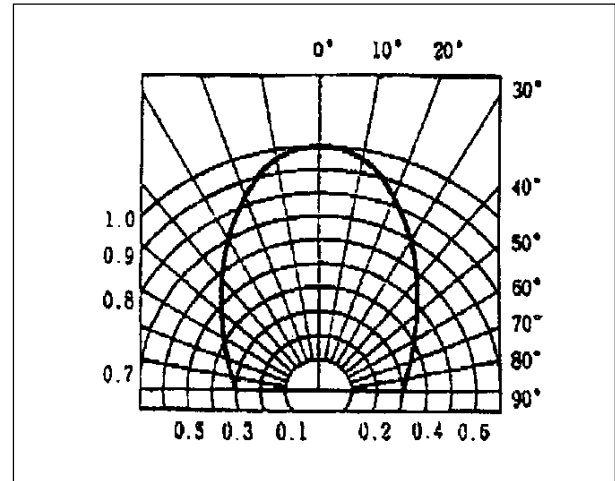
FEATURES

- T-1 $\frac{3}{4}$ right angle PCB mount LED
- Diffused lens
- High Light Output and Uniform Match for Two Color
- Reliable and Rugged
- IC Compatible



MAXIMUM RATINGS (Ta = 25°C)

PART NO.	FORWARD CURRENT (I _f) (mA)	REVERSE VOLTAGE (V _r) (V)	POWER DISSIPATION (P _d) (mW)	OPERATING TEMP. (T _{opr}) (°C)	STORAGE TEMP. (T _{stg}) (°C)
MT2064-YGCT	30	5.0	85	-25~+80	-25~+80
MT2064-HRGCT	30	5.0	85	-25~+80	-25~+80
MT2064-RGCT	30	5.0	85	-25~+80	-25~+80
MT2064-OYCT	30	5.0	85	-25~+80	-25~+80
MT2064-RYCT	30	5.0	85	-25~+80	-25~+80
MT2064-ROCT	30	5.0	85	-25~+80	-25~+80



OPTO-ELECTRICAL CHARACTERISTICS (Ta = 25°C)

PART NO.	COLOR	VIEWING ANGLE typ.	LENS COLOR	LUMINOUS INTENSITY (mcd)		FORWARD VOLTAGE (V)		REVERSE CURRENT		PEAK WAVE LENGTH (nm)
				typ.	@mA	typ.	@mA	μA	V _r	
MT2064-YGCT	GREEN	95°	WHITE DIFF.	13	20	2.1	20	100	5	567
	YELLOW			11		2.1				
MT2064-HRGCT	GREEN	95°	WHITE DIFF.	13	20	2.1	20	100	5	567
	ORANGE			15		2.1				
MT2064-RGCT	GREEN	95°	WHITE DIFF.	13	20	2.1	20	100	5	567
	RED			3		2.1				
MT2064-OYCT	YELLOW	95°	WHITE DIFF.	11	20	2.1	20	100	5	585
	ORANGE			15		2.1				
MT2064-RYCT	YELLOW	95°	WHITE DIFF.	11	20	2.1	20	100	5	585
	RED			3		2.1				
MT2064-ROCT	ORANGE	95°	WHITE DIFF.	15	20	2.1	20	100	5	635
	RED			3		2.1				