

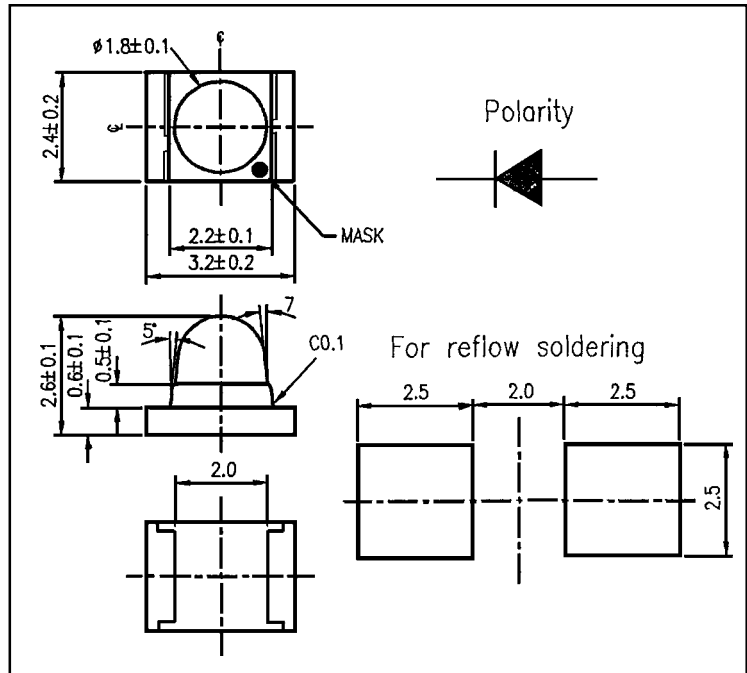
Surface Mount LEDs

Product Features -

- Compatible with Automatic Placement Equipment
- Packaged in 12.0mm Tape on 7" Diameter Reel
- Surface Mount LED Lamp
- Long Life Solid State Reliability
- 1000 Pieces per Reel

MAXIMUM RATINGS

CHARACTERISTIC	SYMBOL	RATING	UNIT
Forward Current	I_F	40	mA
Reverse Voltage	V_R	4	V
Power Dissipation	P_D	110	mW
Operating Temperature	T_{opr}	-30 ~ 85	°C
Storage Temperature	T_{stg}	-30 ~ 90	°C

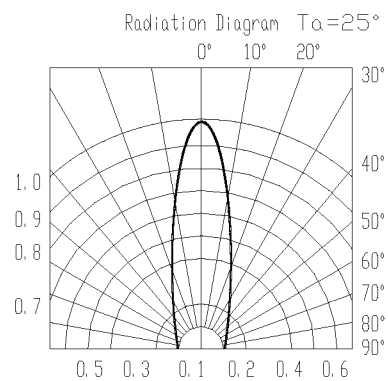
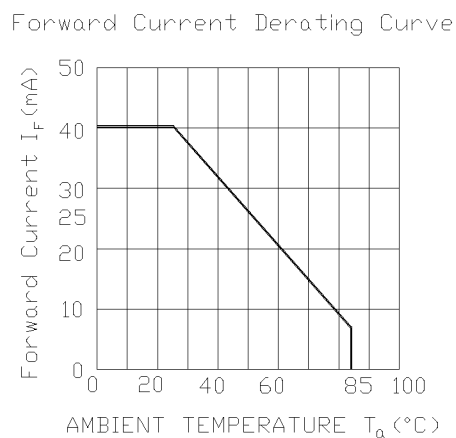
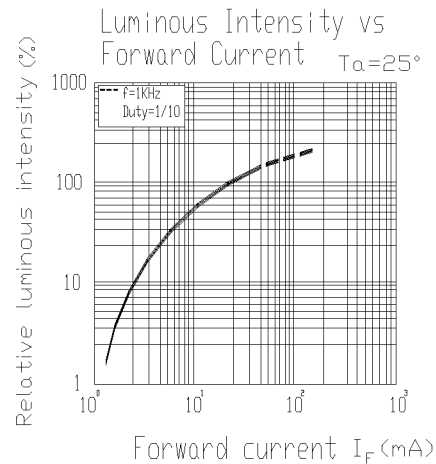
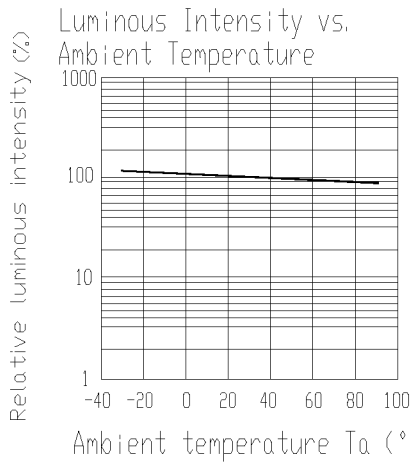
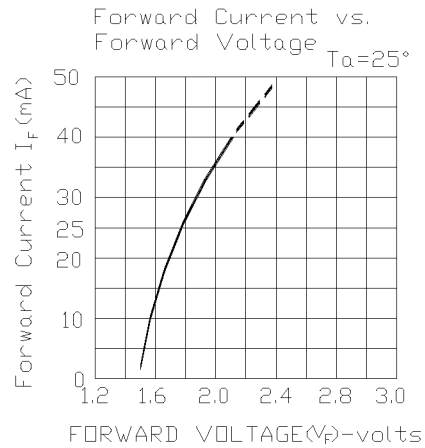
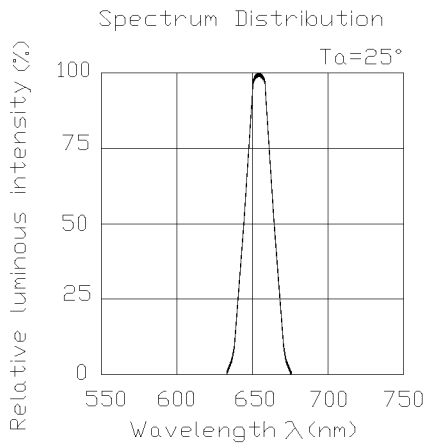


OPTO-ELECTRICAL CHARACTERISTICS ($T_a = 25^\circ\text{C}$)

Part Number	Color	Material	Lens Color	Viewing Angle	Luminous Intensity (mcd)			Forward Voltage (V)			Peak Wave Length
				typ.	min.	typ.	@mA	typ.	max.	@mA	nm
MTSM2142A-UR	RED	GaAlAs ON GaAs	Water Clear	30°	280.5	484.5	20	1.7	2.4	20	660

Surface Mount LEDs

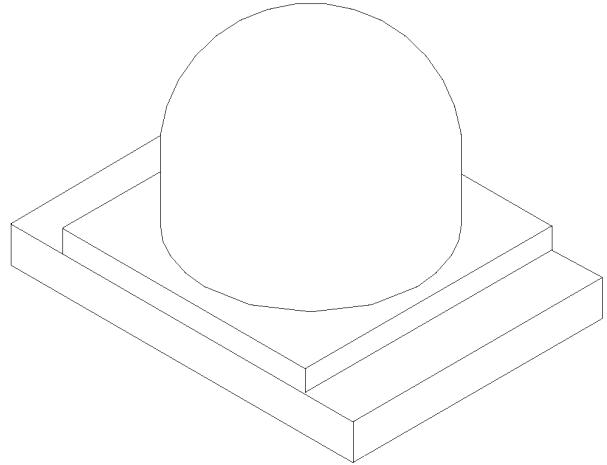
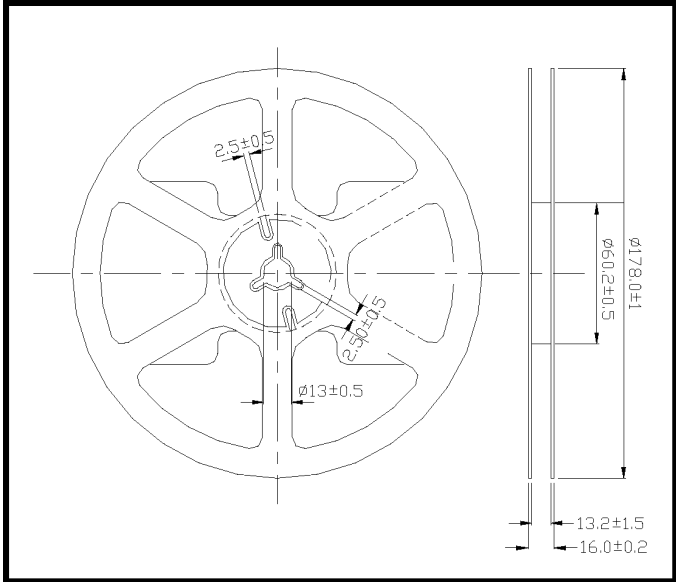
MTSM2142A Graphs



Surface Mount LEDs

Taping Spec for MTSM2142A-UR

Package Dimensions :



Loaded quantity per reel 1000 PCS/reel :

