



TOSHIBA Bi-CMOS Constant Current Interface Driver

TB62701AN

16 Bit Constant Current LED Driver with Shift Register and Latch Functions

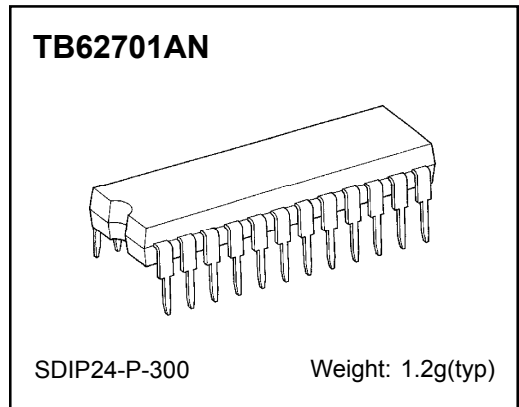
Product Description:

The TB62701AN is specifically designed for LED display applications. The Bi-CMOS device has 16 Bi-polar constant current output channels and includes CMOS shift register and latch functions.

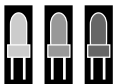
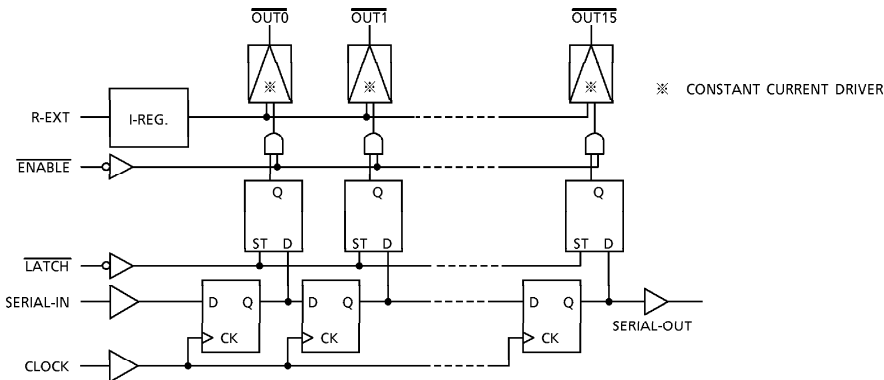
The LED drive current is programmed by the installation of a single resistor per device. Current is programmable from 5-50mA and is held constant across all 16 outputs effectively compensating for the inherent circuit and component variables which affect the brightness of the LEDs.

Features:

- 16 Constant Current Output Channels
- Current Programmable from 5-50mA
- 5V CMOS Compatible Inputs
- Supports up to a 30V LED Supply Voltage



Block Diagram:



marktech
optoelectronics

120 Broadway • Menands, New York 12204

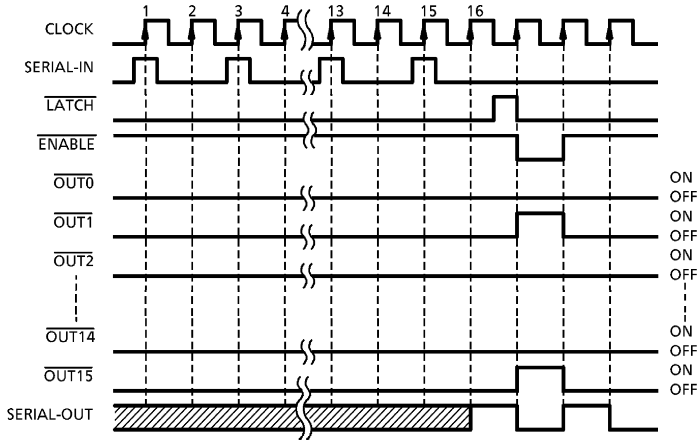
Toll Free: (800) 98-4LEDS • Fax: (518) 432-7454

TOSHIBA Bi-CMOS Constant Current Interface Driver



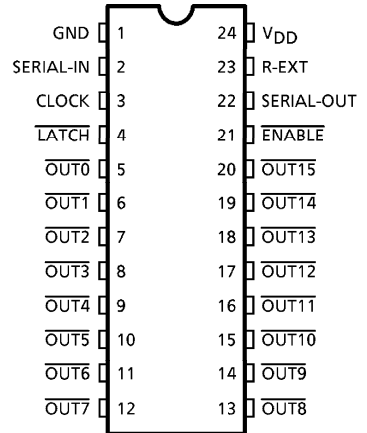
TB62701AN

Timing Diagram:



Terminal Description & Pin Out:

PIN No.	PIN NAME	FUNCTION
1	GND	GND terminal for control logic driver
2	SERIAL-IN	Serial data input terminal for shift register
3	CLOCK	Clock input terminal for data shift to up-edge
4	LATCH	"H" : data through, "L" : data hold
24	V _{DD}	Supply voltage terminal
5~12 13~20	OUTn	Output terminals
21	ENABLE	"H" output off, "L" : latch data = "H" then output on, latch data = "L" then output off
22	SERIAL-OUT	Serial data output terminal for shift register
23	R-EXT	The register which connects between R-EXT and GND sets the constant output current.





TOSHIBA Bi-CMOS Constant Current Interface Driver

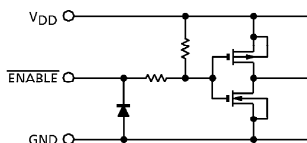
TB62701AN

Truth Table:

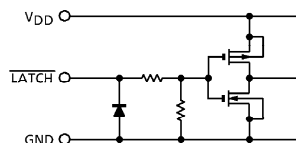
INPUT				OUTPUT $\overline{\text{OUT}}_n (t = n)$			
CLOCK	$\overline{\text{LATCH}}$	$\overline{\text{ENABLE}}$	SERIAL-IN	$\overline{\text{OUT}}_0$	$\overline{\text{OUT}}_7$	$\overline{\text{OUT}}_{15}$	SERIAL-OUT
Up	H	L	DN	DN	DN-7	DN-15	DN-15
Up	L	L	DN	No Change			DN-15
Up	*	H	DN	OFF	OFF	OFF	DN-15
Down	*	*	DN	No Change			No Change

Equivalent Circuit of Inputs and Outputs:

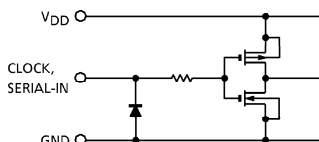
1. ENABLE terminal



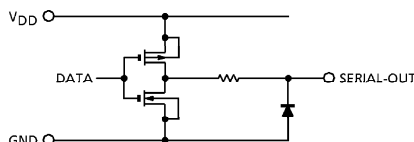
2. LATCH terminal



3. CLOCK, SERIAL-IN terminal



4. SERIAL-OUT terminal



Maximum Ratings:

CHARACTER	SYMBOL	RATING	UNIT
Supply Voltage	VDD	0~+7.0	V
Output Voltage	VOUT	-0.5~+30	V
Output Current	IOUT	50	mA
Input Voltage	VIN	-0.4~VDD + 0.4	V
GND Terminal Current	IGND	800	mA
Clock Frequency	FCLK	2.5	MHz
Power Dissipation	PD	1.78	W
Operating Temperature	Topr	-40~+85	°C
Storage Temperature	Tstg	-55~+150	°C

TOSHIBA Bi-CMOS

Constant Current Interface Driver



TB62701AN

Recommended Operating Condition

CHARACTERISTIC	SYMBOL	TEST CONDITION	MIN.	TYP.	MAX.	UNIT
Supply Voltage	VDD	—	4.5	5.0	5.5	V
Output Voltage	VOUT	—	—	—	30.0	V
Output Current	OUTn	DC 1 circuit	—	—	45	mA
	S-OUT	IOH	—	—	-1.0	
		IOL	—	—	1.0	
Input Voltage	VIN	—	0	—	VDD	V
Data Set Up Time	tsetup(D)	—	100	—	—	ns
Data Hold Time	thold (D)	—	20	—	—	ns
Latch Set Up Time	tsetup(L)	—	300	—	—	ns
Latch Hold Time	thold (L)	—	100	—	—	ns
Clock Pulse Width	tw CLK	—	100	—	—	ns
	tw $\overline{\text{CLK}}$	—	100	—	—	ns
Latch Pulse Width	tw LAT	—	300	—	—	ns
	tw $\overline{\text{LAT}}$	—	300	—	—	ns
Clock Frequency	fCK	Cascade operation	—	—	2.0	MHz
Power Dissipation	PD	Ta=85°C	—	—	0.72	W



TOSHIBA Bi-CMOS

Constant Current Interface Driver

TB62701AN

Electrical Characteristics:

CHARACTERISTIC		SYMBOL	TEST CIR-CUIT	TEST CONDITION	MIN.	TYP.	MAX.	UNIT	
Input Voltage	"H" level	V _{IH}	—	—	70%VDD	—	VDD	V	
	"L" level	V _{IL}	—	—	GND	—	30%VDD		
Output Leakage Current		I _{OH}	—	V _{OH} =30V	—	—	10	μA	
Output Voltage	S-OUT	V _{OL}	—	I _{OL} =+1.0mA	—	—	0.4	V	
		V _{OH}	—	I _{OH} =-1.0mA	4.6	—	—		
Output Current 1		I _{OL1}	—	V _{CE} =0.7V	REXT=560Ω (include ΔI _{OL1})	35.2	41.5	47.7	mA
		I _{OL2}	—	V _{CE} =0.4V		33.1	39.0	44.9	mA
Delta I _{OUT}		ΔI _{OL1}	—	REXT=560Ω I _{OUT} =40mA, V _{CE} =0.4V	—	±3.0	±7.0	%	
Supply Voltage Regulation		% / VDD	—	REXT=560Ω	—	18	—	% / V	
Reference Voltage		V _{ref}	—	REXT=560Ω, T _a =-40~85°C	—	1.26	—	V	
Pull Up / Down Resistor		R _{IN}	—	—	100	200	400	kΩ	
Supply Current	"OFF"	I _{IDD (off) 1}	—	REXT=OPEN, OUT _n =Off	—	0.4	0.6	mA	
		I _{IDD (off) 2}	—	REXT=560Ω, OUT _n =Off	—	6.5	10.0		
	"ON"	I _{DD (on)}	—	REXT=560Ω, OUT _n =Off	—	13.5	20.0		

TOSHIBA Bi-CMOS Constant Current Interface Driver

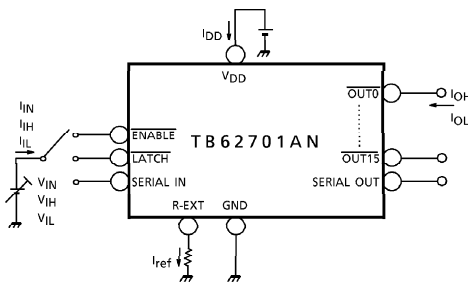


TB62701AN

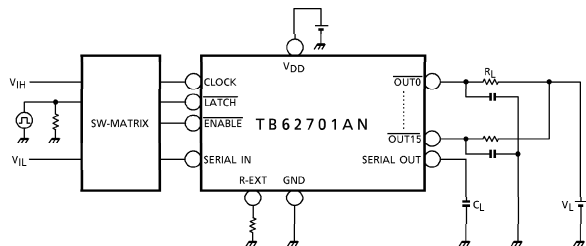
Switching Characteristics:

CHARACTERISTIC		SYMBOL	TEST CONDITION	MIN.	TYP.	MAX.	UNIT				
Propagation Delay Time ("L" to "H")	CK-S-OUT	t_{PLH}	VDD = 5.0V VCE = 1.0V VIH = VDD VIL = GND fCK = 2MHz REXT = 560Ω IOUT = 30mA	—	95	500	ns				
	CK-OUTn			—	130	500					
	LATCH-OUTn			—	130	500					
	EN-OUTn			—	130	500					
Propagation Delay Time ("H" to "L")	CK-S-OUT	t_{PLH}		VDD = 5.0V VCE = 1.0V VIH = VDD VIL = GND fCK = 2MHz REXT = 560Ω IOUT = 30mA	—	95	720	ns			
	CK-OUTn				—	130	500				
	LATCH-OUTn				—	130	500				
	EN-OUTn				—	130	500				
Maximum Clock Frequency		fMAX(*1)			VDD = 5.0V VCE = 1.0V VIH = VDD VIL = GND fCK = 2MHz REXT = 560Ω IOUT = 30mA	2.0	—	2.5	MHz		
Minimum Pulse Width	CLK	tw CLK				—	45	80	ns		
	LATCH	tw LAT				—	10	50			
Data Set Up Time		tsetup (D)				VDD = 5.0V VCE = 1.0V VIH = VDD VIL = GND fCK = 2MHz REXT = 560Ω IOUT = 30mA	—	17	50	ns	
Data Hold Time		thold (D)	—				-7	10			
Latch Set Up Time	LH	$t_{LATsetup}$	VDD = 5.0V VCE = 1.0V VIH = VDD VIL = GND fCK = 2MHz REXT = 560Ω IOUT = 30mA				—	70	200	ns	
	HL						—	70	200		
Latch Hold Time	LH	$t_{LAThold}$					VDD = 5.0V VCE = 1.0V VIH = VDD VIL = GND fCK = 2MHz REXT = 560Ω IOUT = 30mA	—	-70	50	ns
	HL			—				-70	50		
Maximum Clock Rise Time		tr		VDD = 5.0V VCE = 1.0V VIH = VDD VIL = GND fCK = 2MHz REXT = 560Ω IOUT = 30mA				—	—	10	μs
Maximum Clock Fall Time		tf						—	—	10	
Maximum Output Rise Time		tor						VDD = 5.0V VCE = 1.0V VIH = VDD VIL = GND fCK = 2MHz REXT = 560Ω IOUT = 30mA	—	35	80
Maximum Output Fall Time		tof			—				40	80	

DC Characteristic Test Circuit:



AC Characteristic Test Circuit:



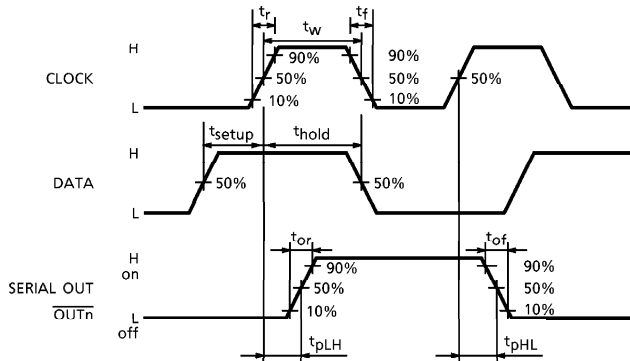


TOSHIBA Bi-CMOS Constant Current Interface Driver

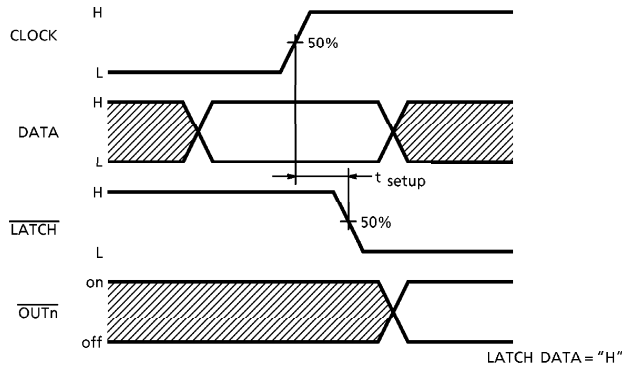
TB62701AN

Timing Wave Form:

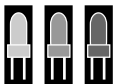
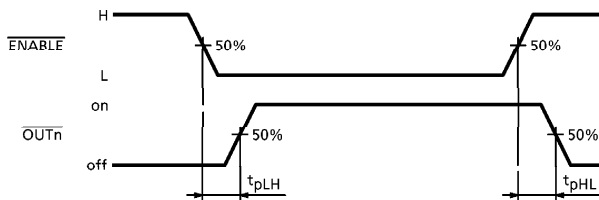
1. CLOCK-SERIAL OUT, OUT_n



2. CLOCK-LATCH



3. ENABLE



marktech
optoelectronics

120 Broadway • Menands, New York 12204

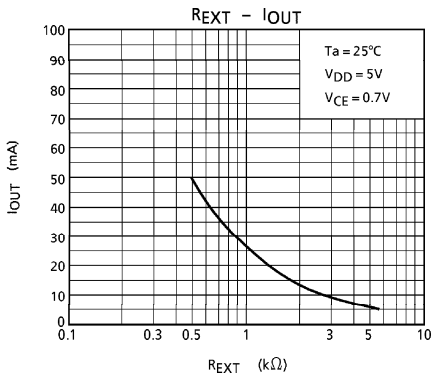
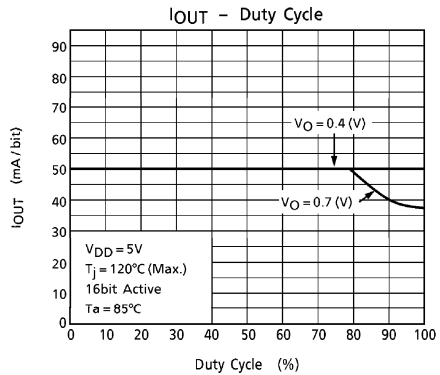
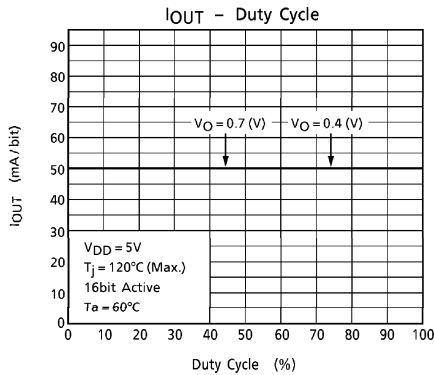
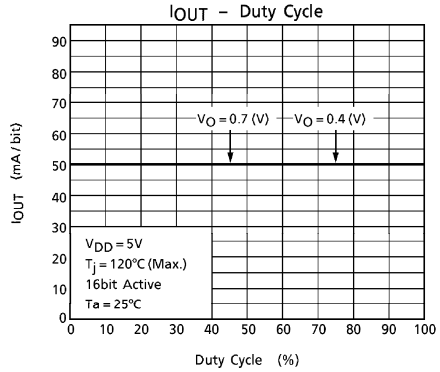
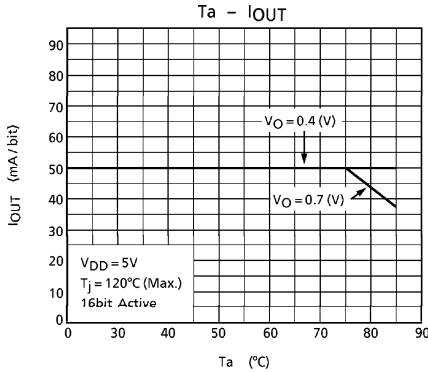
Toll Free: (800) 98-4LEDS • Fax: (518) 432-7454

TOSHIBA Bi-CMOS Constant Current Interface Driver



TB62701AN

Graphs:

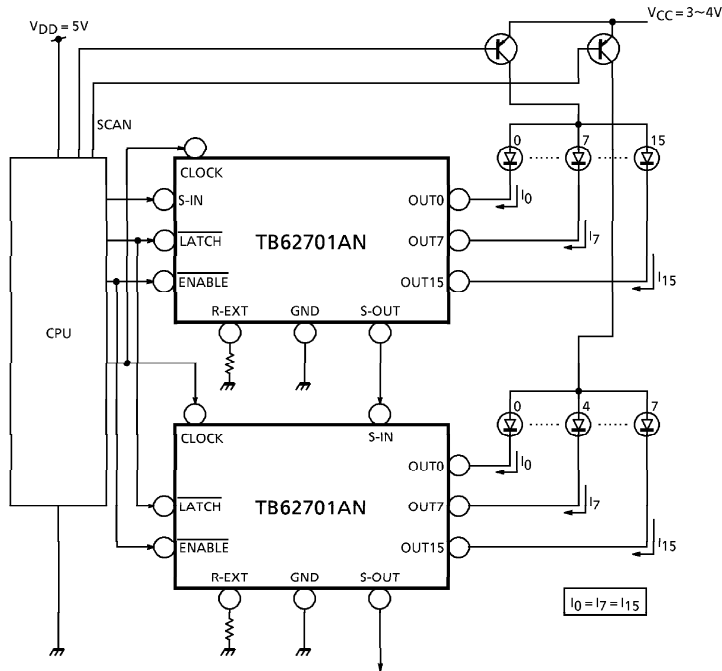




TOSHIBA Bi-CMOS Constant Current Interface Driver

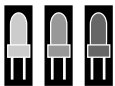
TB62701AN

Application Circuit:



PRECAUTIONS for USING

Utmost care is necessary in the design of the output line, V_{CC} (V_{DD}) and GND line since IC may be destroyed due to short-circuit between outputs, air contamination fault, or fault by improper grounding.



marktech
optoelectronics

120 Broadway • Menands, New York 12204

Toll Free: (800) 98-4LEDS • Fax: (518) 432-7454

TOSHIBA Bi-CMOS Constant Current Interface Driver

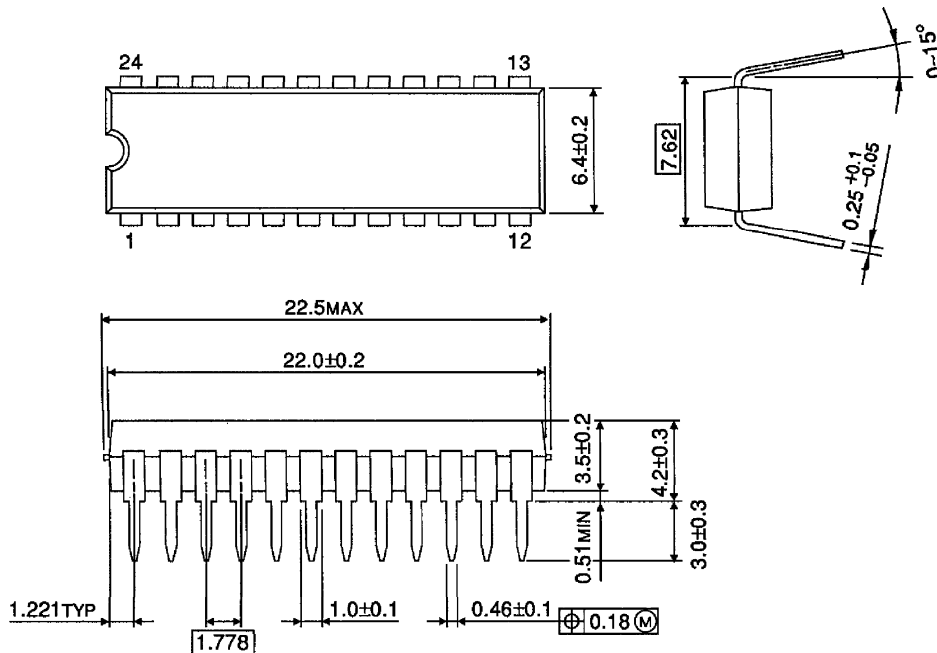


TB62701AN

Outline Drawing:

SDIP24-P-300-1.78

Unit : mm



Weight : 1.2g (Typ.)