

RED**TOSHIBA T-1¾ InGaAlP Ultra Bright LED**

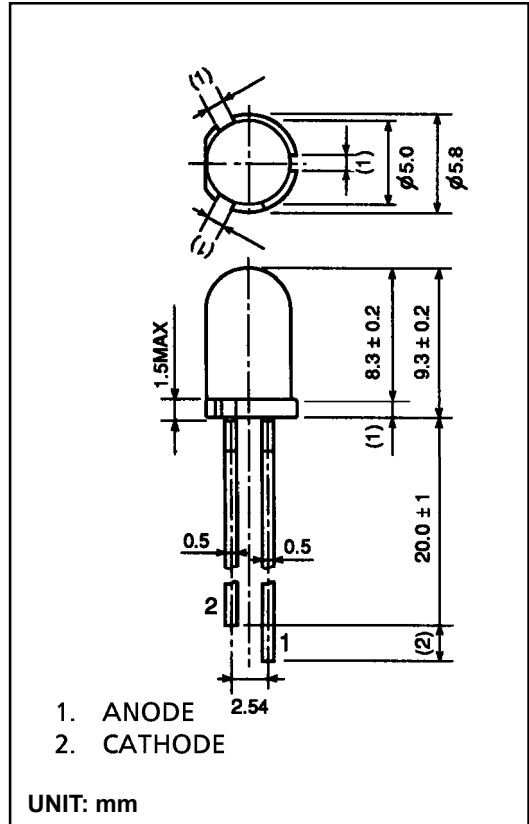
TLRE157AP

Product Features -

- InGaAlP Technology
- T-1¾ (5 mm) Package
- Red Light ($\lambda_p = 644$ nm) Emission
- Water Clear Lens

MAXIMUM RATINGS (Ta = 25°C)

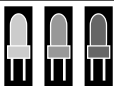
| CHARACTERISTIC | SYMBOL | RATING | UNIT |
|-----------------------|-----------|-----------|------|
| Forward Current | I_F | 50 | mA |
| Reverse Voltage | V_R | 4 | V |
| Power Dissipation | P_D | 125 | mW |
| Operating Temperature | T_{opr} | -30 ~ 85 | °C |
| Storage Temperature | T_{stg} | -40 ~ 120 | °C |



OPTO-ELECTRICAL CHARACTERISTICS (Ta = 25°C)

| CHARACTERISTIC | SYMBOL | TEST CONDITION | MIN. | TYP. | MAX. | UNIT |
|--------------------------|-----------------|----------------|------|------|------|---------|
| Forward Voltage | V_F | $I_F = 20$ mA | — | 1.85 | 2.4 | V |
| Reverse Current | I_R | $V_R = 4$ V | — | — | 50 | μ A |
| Luminous Intensity | I_v | $I_F = 20$ mA | 270 | 900 | — | mcd |
| Viewing Angle | $2\theta_{1/2}$ | — | — | 22 | — | ° |
| Peak Wavelength | λ_p | $I_F = 20$ mA | — | 644 | — | nm |
| Dominant Wavelength | λ_d | $I_F = 20$ mA | — | 630 | — | nm |
| Spectral Line Half Width | $\Delta\lambda$ | $I_F = 20$ mA | — | 18 | — | nm |

* Luminous Ranks: (Q : 320-640mcd), (R : 560-1120mcd), (S : 1000-2000mcd) Upper and lower limit tolerance $\pm 15\%$
Available in Two Bin Combinations: (QR), (RS)



marktech
optoelectronics

120 Broadway • Menands, New York 12204

Toll Free: (800) 98-4LEDS • Fax: (518) 432-7454

TLRE157AP Graphs -

