

RED**TOSHIBA T-1¾ InGaAlP Ultra Bright LED**

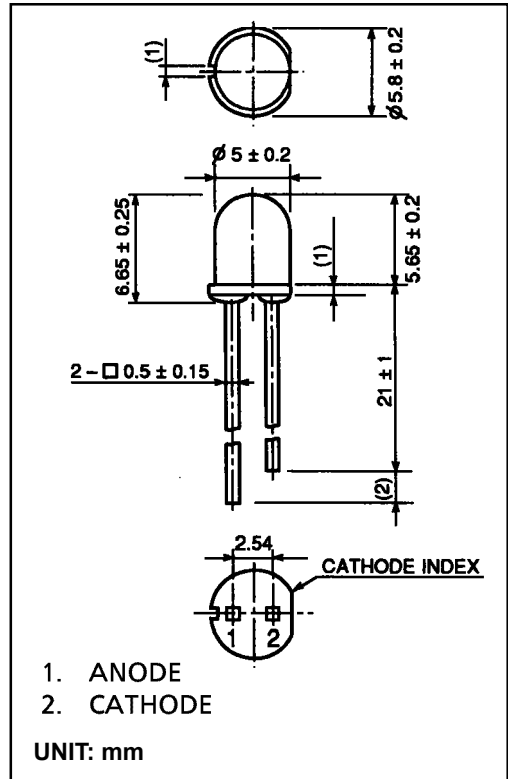
TLRE263AP

Product Features -

- InGaAlP Technology
- T-1¾ Low Profile Package
- High Intensity Red Light ($\lambda_p = 644\text{nm}$) Emission
- Water Clear Lens

MAXIMUM RATINGS ($T_a = 25^\circ\text{C}$)

| CHARACTERISTIC | SYMBOL | RATING | UNIT |
|-----------------------|-----------|-----------|------------------|
| Forward Current | I_F | 50 | mA |
| Reverse Voltage | V_R | 4 | V |
| Power Dissipation | P_D | 125 | mW |
| Operating Temperature | T_{opr} | -30 ~ 85 | $^\circ\text{C}$ |
| Storage Temperature | T_{stg} | -40 ~ 120 | $^\circ\text{C}$ |



OPTO-ELECTRICAL CHARACTERISTICS ($T_a = 25^\circ\text{C}$)

| CHARACTERISTIC | SYMBOL | TEST CONDITION | MIN. | TYP. | MAX. | UNIT |
|--------------------------|-----------------|---------------------|------|------|------|---------------|
| Forward Voltage | V_F | $I_F = 20\text{mA}$ | — | 1.85 | 2.4 | V |
| Reverse Current | I_R | $V_R = 4\text{V}$ | — | — | 50 | μA |
| Luminous Intensity | I_v | $I_F = 20\text{mA}$ | 25 | 110 | — | mcd |
| Viewing Angle | $2\theta_{1/2}$ | — | — | 100 | — | $^\circ$ |
| Peak Wavelength | λ_p | $I_F = 20\text{mA}$ | — | 644 | — | nm |
| Dominant Wavelength | λ_d | $I_F = 20\text{mA}$ | — | 630 | — | nm |
| Spectral Line Half Width | $\Delta\lambda$ | $I_F = 20\text{mA}$ | — | 18 | — | nm |

* Luminous Ranks: (L : 32-64mcd), (M : 56-112mcd), (N : 100-200mcd) Upper and lower limit tolerance $\pm 15\%$
Available in One Bin Combination: (LM)



120 Broadway • Menands, New York 12204

Toll Free: (800) 98-4LEDS • Fax: (518) 432-7454

TLRE263AP Graphs -

