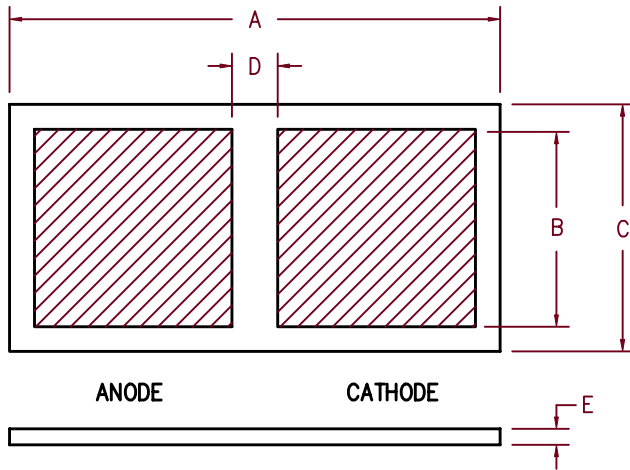


1 Amp Schottky Rectifier CPS140



Dim.	Inches		Millimeter		Notes
	Minimum	Maximum	Minimum	Maximum	
A	0.078	0.082	1.98	2.08	
B	0.035	0.037	0.89	0.94	
C	0.040	0.042	1.02	1.07	
D	0.003	0.005	0.08	0.13	
E	---	0.012	---	0.30	

Microsemi Catalog Number	Working Peak Reverse Voltage	Repetitive Peak Reverse Voltage
CPS140	40V	40V

- Schottky Barrier Rectifier
- Guard Ring Protection
- Low Forward Voltage
- High Reliability

Electrical Characteristics

Average forward current	$I_F(AV)$ 1 Amp	Square wave, $T_J = 150^\circ C$
Maximum surge current	I_{FSM} 25 Amps	8.3ms, half sine, $T_J = 150^\circ C$
Max peak forward voltage	V_{FM} .55 Volts	$I_{FM} = 1A; T_J = 25^\circ C^*$
Max peak reverse current	I_{RRM} 10 mA	$V_{RRM}, T_J = 125^\circ C$
Max peak reverse current	I_{RRM} 1 mA	$V_{RRM}, T_J = 25^\circ C$
Typical junction capacitance	C_J 60 pF	$V_R = 10V, T_J = 25^\circ C, f = 1MHz$

*Pulse test: Pulse width 300 μ sec, Duty cycle 2%

Thermal and Mechanical Characteristics

Storage temperature range	T_{STG}	$-55^\circ C$ to $175^\circ C$
Operating junction temp range	T_J	$-55^\circ C$ to $150^\circ C$
Weight		0.00004 ounces (.0012 grams) typical

3-13-00 Rev. 1