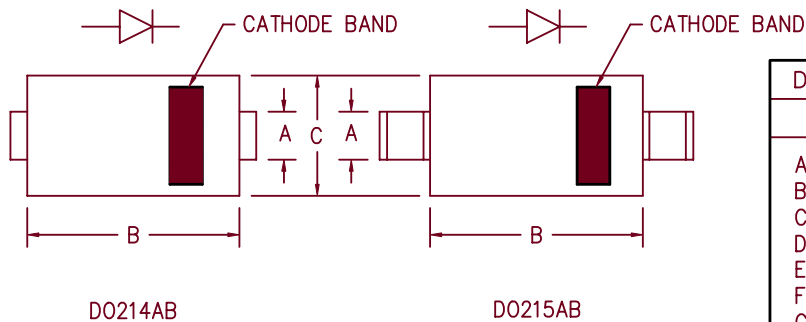
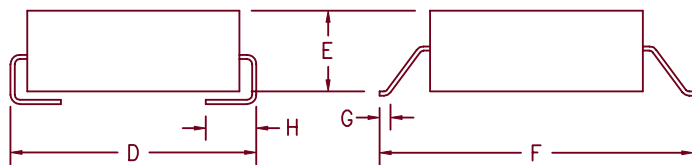


8 Amp Schottky Rectifier HSM825 — HSM845



Dim.	Inches		Millimeter		Notes
	Minimum	Maximum	Minimum	Maximum	
A	.117	.123	2.97	3.12	
B	.260	.280	6.60	7.11	
C	.220	.245	5.59	6.22	
D	.307	.322	7.80	8.18	
E	.075	.095	1.91	2.41	
F	.380	.400	9.65	10.16	
G	.025	.040	.640	1.02	
H	.030	.060	.760	1.52	



Microsemi Catalog Number	Working Peak Reverse Voltage	Repetitive Peak Reverse Voltage
HSM825*	25V	25V
HSM830*	30V	30V
HSM835*	35V	35V
HSM840*	40V	40V
HSM845*	45V	45V

*Add Suffix J For J Lead or G For Gull Wing Lead Configuration

- Schottky Barrier Rectifier
- Guard Ring Protection
- 175°C Junction Temperature
- High Current Capability
- V_{RRM} 25 to 45 Volts
- Surface mount package

Electrical Characteristics

Average forward current	$I_F(AV)$ 8.0 Amps	Square wave
Maximum surge current	$I_F(AV)$ 350 Amps	8.3ms, half sine, $T_J = 175^\circ C$
Max peak forward voltage	V_{FM} .47 Volts	$I_{FM} = 8.0A; T_J = 150^\circ C^*$
Max peak forward voltage	V_{FM} .62 Volts	$I_{FM} = 8.0A; T_J = 25^\circ C^*$
Max peak reverse current	I_{RM} 250 μA	$V_{RRM}, T_J = 25^\circ C$
Typical junction capacitance	C_J 660pF	$V_R = 5.0V, T_J = 25^\circ C$

* Pulse test: Pulse width 300 μsec , Duty cycle 2%

Thermal and Mechanical Characteristics

Storage temperature range	T_{STG}	$-55^\circ C$ to $175^\circ C$
Operating junction temp range	T_J	$-55^\circ C$ to $175^\circ C$
Maximum thermal resistance	$R_{\theta JL}$	$20^\circ C/W$ Junction to lead
Weight		.008 ounces (.22 grams) typical

3-27-00 Rev. 1

HSM825 — HSM845

Figure 1
Typical Forward Characteristic

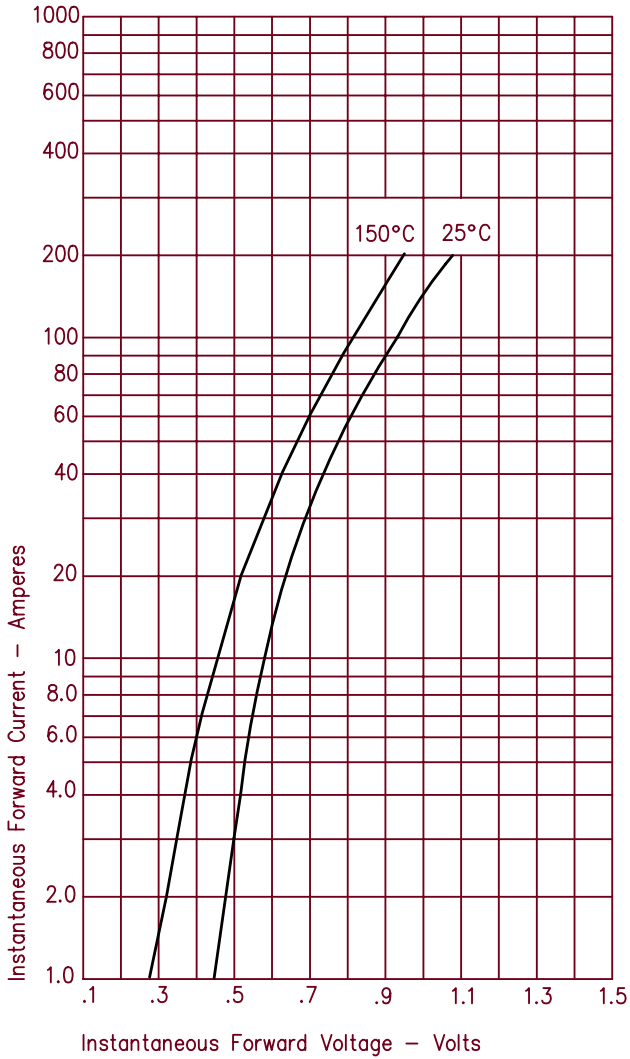


Figure 3
Typical Junction Capacitance

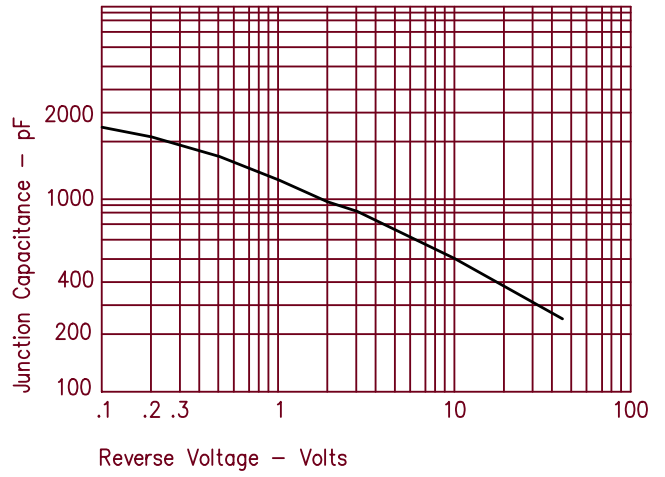


Figure 2
Typical Reverse Characteristics

