

**DESCRIPTION**

The LX5202 is an eighteen-line active terminator for the SCSI parallel bus. This SCSI standard recommends active termination at both ends of the SCSI bus.

During disconnect mode, the LX5202 requires a meager 60 $\mu$ A of supply current while offering only 6pF of output capacitance. To enter this low-power mode, the disconnect pin can be left open (floating) or driven high, thereby disconnecting the terminating resistors and placing the internal low dropout regulator into low-power mode. In disconnect mode, each termination line presents a high impedance to the SCSI bus with the overall effect being to preserve high signal integrity and yield subsequent reliable, error-free communications.

During normal operation, the LX5202 con-

sumes only 800 $\mu$ A of current, which is the lowest enabled supply current of any terminator available on the market today. Linfinity's proprietary BiCMOS low dropout regulator architecture enables this unique and very efficient operating characteristic.

The LX5202 also offers a precisely trimmed channel output current specified to a 5% tolerance. The maximum value of the output current is trimmed as closely as possible to the SCSI standard maximum specification to give the highest possible noise margin for fast SCSI operation. And the LX5202 sinks up to 200mA of current making it compatible with today's fast active negation drivers.

The LX5202 is a superior, pin-for-pin replacement for a variety of industry products such as the UC5601 and UC5602.

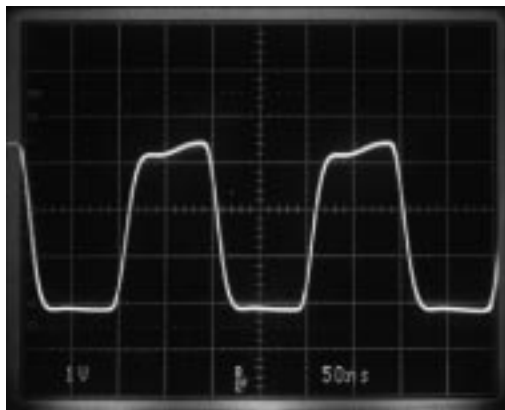
**KEY FEATURES**

- 6pF OUTPUT CAPACITANCE DURING DISCONNECT
- 60 $\mu$ A SUPPLY CURRENT IN DISCONNECT MODE
- 800 $\mu$ A SUPPLY CURRENT DURING NORMAL OPERATION
- 200mA SINK CURRENT FOR ACTIVE NEGATION
- LOGIC COMMAND DISCONNECTS ALL TERMINATION LINES
- CURRENT LIMIT AND THERMAL PROTECTION
- COMPATIBLE WITH SCSI 1, 2 AND 3 STANDARDS
- CONSULT FACTORY FOR APPLICATION TEST REPORT: **5202TR**

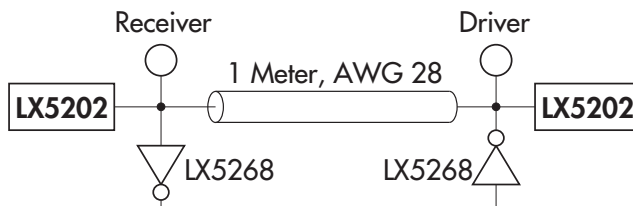
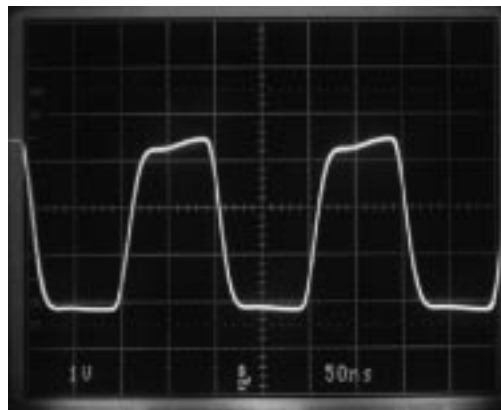
**IMPORTANT:** For the most current data, consult LinFinity's web site: <http://www.linfinity.com>.

**PRODUCT HIGHLIGHT**

RECEIVING WAVEFORM - 5MHz



DRIVING WAVEFORM - 5MHz



**NOTE:**  
For An In-Depth Discussion On Applying SCSI, Request Linfinity Application Note: "Understanding The Single-Ended SCSI Bus"

**PACKAGE ORDER INFO**

|                       |                                   |
|-----------------------|-----------------------------------|
| $T_A$ ( $^{\circ}$ C) | DWP Plastic SOWB<br>28-pin, Power |
| 0 to 70               | LX5202CDWP                        |

Note: All surface-mount packages are available in Tape & Reel. Append the letter "T" to part number. (i.e. LX5202CDWPT)

## 18-LINE, $\mu$ POWER SCSI TERMINATOR

### PRODUCTION DATA SHEET

#### ABSOLUTE MAXIMUM RATINGS (Note 1)

|  |                |
|--|----------------|
| TermPwr Voltage .....                          | +7V            |
| Signal Line Voltage .....                      | 0V to +7V      |
| Regulator Output Current .....                 | 1.2A           |
| Operating Junction Temperature                 |                |
| Plastic (DWP Package).....                     | 150°C          |
| Storage Temperature Range .....                | -65°C to 150°C |
| Lead Temperature (Soldering, 10 seconds) ..... | 300°C          |

Note 1. Exceeding these ratings could cause damage to the device. All voltages are with respect to Ground. Currents are positive into, negative out of the specified terminal.

#### THERMAL DATA

##### DWP PACKAGE:

|   |               |
|---|---------------|
| <b>THERMAL RESISTANCE-JUNCTION TO LEADS, <math>\theta_{jL}</math></b>   | <b>18°C/W</b> |
| <b>THERMAL RESISTANCE-JUNCTION TO AMBIENT, <math>\theta_{jA}</math></b> | <b>40°C/W</b> |

Junction Temperature Calculation:  $T_j = T_A + (P_D \times \theta_{jA})$ .

The  $\theta_{jA}$  numbers are guidelines for the thermal performance of the device/pc-board system.

All of the above assume no ambient airflow.

#### PACKAGE PIN OUTS

|                   |                          |    |    |                          |           |
|-------------------|--------------------------|----|----|--------------------------|-----------|
| DISCONNECT        | <input type="checkbox"/> | 1  | 28 | <input type="checkbox"/> | GND       |
| T1                | <input type="checkbox"/> | 2  | 27 | <input type="checkbox"/> | T18       |
| T2                | <input type="checkbox"/> | 3  | 26 | <input type="checkbox"/> | T17       |
| T3                | <input type="checkbox"/> | 4  | 25 | <input type="checkbox"/> | T16       |
| T4                | <input type="checkbox"/> | 5  | 24 | <input type="checkbox"/> | T15       |
| T5                | <input type="checkbox"/> | 6  | 23 | <input type="checkbox"/> | T14       |
| HEAT SINK         | <input type="checkbox"/> | 7  | 22 | <input type="checkbox"/> | HEAT SINK |
| HEAT SINK         | <input type="checkbox"/> | 8  | 21 | <input type="checkbox"/> | HEAT SINK |
| HEAT SINK         | <input type="checkbox"/> | 9  | 20 | <input type="checkbox"/> | HEAT SINK |
| T6                | <input type="checkbox"/> | 10 | 19 | <input type="checkbox"/> | T13       |
| T7                | <input type="checkbox"/> | 11 | 18 | <input type="checkbox"/> | T12       |
| T8                | <input type="checkbox"/> | 12 | 17 | <input type="checkbox"/> | T11       |
| T9                | <input type="checkbox"/> | 13 | 16 | <input type="checkbox"/> | T10       |
| V <sub>TERM</sub> | <input type="checkbox"/> | 14 | 15 | <input type="checkbox"/> | REG OUT   |

##### DWP PACKAGE

(Top View)

POWER UP / POWER DOWN FUNCTION TABLE

| Disconnect | Outputs | Quiescent Current |
|------------|---------|-------------------|
| L          | Enabled | 800 $\mu$ A       |
| H          | HI Z    | 60 $\mu$ A        |
| Open       | HI Z    | 60 $\mu$ A        |

18-LINE,  $\mu$ POWER SCSI TERMINATOR

## PRODUCTION DATA SHEET

## RECOMMENDED OPERATING CONDITIONS (Note 2)

| Parameter                                    | Symbol     | Recommended Operating Conditions |      |            | Units        |
|--|------------|----------------------------------|------|------------|--------------|
|  |            | Min.                             | Typ. | Max.       |              |
| TermPwr Voltage                              | $V_{TERM}$ | 4                                |      | 5.25       | V            |
| Signal Line Voltage                          |            | 0                                |      | 5          | V            |
| Disconnect Input Voltage                     |            | 0                                |      | $V_{TERM}$ | V            |
| Output Capacitance on REGOUT                 |            | 4.7                              |      |            | $\mu$ F      |
| Operating Virtual Junction Temperature Range |            |                                  |      |            |              |
| LX5202C                                      |            | 0                                |      | 70         | $^{\circ}$ C |

Note 2. Range over which the device is functional.

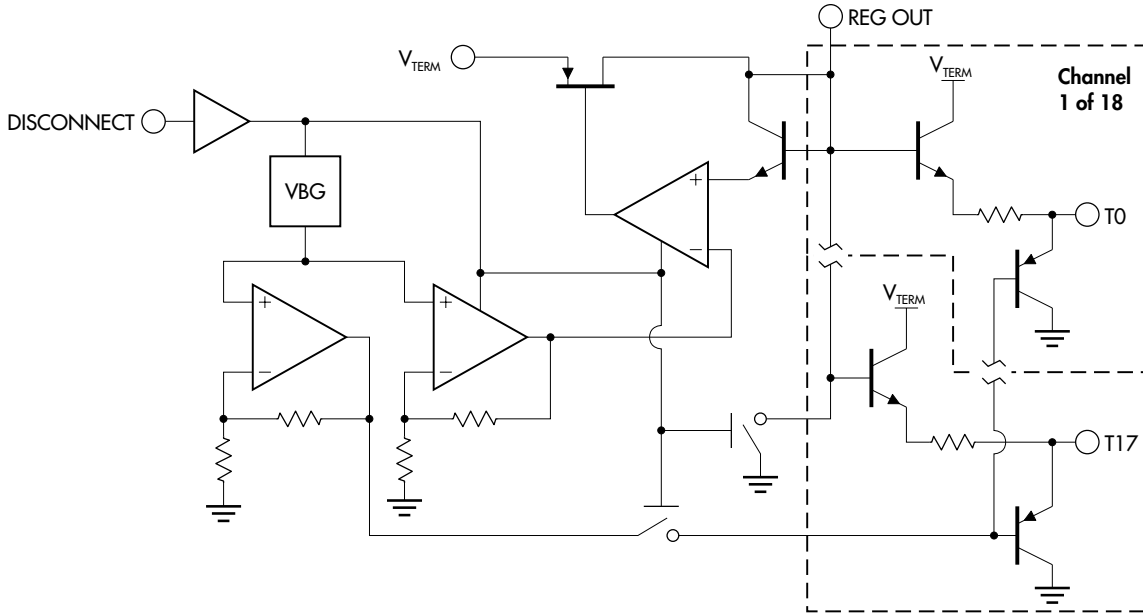
## ELECTRICAL CHARACTERISTICS

(Unless otherwise specified, these specifications apply over the operating ambient temperature range of  $0^{\circ}\text{C} \leq T_A \leq 70^{\circ}\text{C}$ . TermPwr = 4.75V, Disconnect = 0V. Low duty cycle pulse testing techniques are used which maintains junction and case temperatures equal to the ambient temperature.)

| Parameter                                | Symbol | Test Conditions   | LX5202 |       |       | Units        |
|--|--------|---|--------|-------|-------|--------------|
|  |        |   | Min.   | Typ.  | Max.  |              |
| <b>Supply Current Section</b>            |        |   |        |       |       |              |
| TermPwr Supply Current                   |        | All term lines = Open   |        | 0.8   | 1.5   | mA           |
|  |        | All term lines = 0.5V   |        | 390   | 430   | mA           |
| Power Down Mode                          |        | Disconnect = Open   |        | 60    | 100   | $\mu$ A      |
| <b>Output Section (Terminator Lines)</b> |        |   |        |       |       |              |
| Terminator Impedance                     |        | $I_{TERM} = -5\text{mA to } -15\text{mA}$   | 100    | 110   | 120   | $\Omega$     |
| Terminator Output High Voltage           |        |   | 2.7    | 2.9   |       | V            |
| Max. Output Current                      |        | $V_{OUT} = 0.5\text{V}, T_A = 25^{\circ}\text{C}$   | -20.3  | -21.8 | -23   | mA           |
|  |        | $V_{OUT} = 0.5\text{V}, 0^{\circ}\text{C} \leq T_A \leq 70^{\circ}\text{C}$                       | -19.0  | -21.8 | -23   | mA           |
|  |        | $V_{OUT} = 0.5\text{V}, V_{TERM} = 4\text{V}, T_A = 25^{\circ}\text{C}$                           | -19.5  | -21.8 | -23   | mA           |
|  |        | $V_{OUT} = 0.5\text{V}, V_{TERM} = 4\text{V}, 0^{\circ}\text{C} \leq T_A \leq 70^{\circ}\text{C}$ | -18.0  | -21.8 | -23   | mA           |
| Output Leakage                           |        | Disconnect = Open, $V_{TERM} = 0\text{V to } 5.25\text{V}$  |        | 10    | 400   | nA           |
| Output Capacitance                       |        | Disconnect = Open   |        | 6     |       | pF           |
| Sink Current                             |        | $V_{OUT} = 4\text{V}$   | 58     | 70    |       | mA           |
| <b>Regulator Section</b>                 |        |   |        |       |       |              |
| Regulator Output Voltage                 |        |   |        | 3.6   |       | V            |
| Line Regulation                          |        | $V_{TERM} = 4\text{V to } 6\text{V}$  |        | 10    | 20    | mV           |
| Load Regulation                          |        | $I_{REG} = 0\text{ to } -100\text{mA}$  |        | 20    | 50    | mV           |
| Drop Out Voltage                         |        | $I_{REG} = -100\text{mA}$   |        | 0.45  | 1.0   | V            |
| Short Circuit Current                    |        | $V_{REG} = 0\text{V}$   |        | -700  | -1000 | mA           |
| Thermal Shutdown                         |        |   |        | 150   |       | $^{\circ}$ C |
| <b>Disconnect Section</b>                |        |   |        |       |       |              |
| Disconnect Threshold                     |        |   | 0.8    |       | 2.0   | V            |
| Input Current                            |        | Disconnect = 0V   |        |       | 40    | $\mu$ A      |

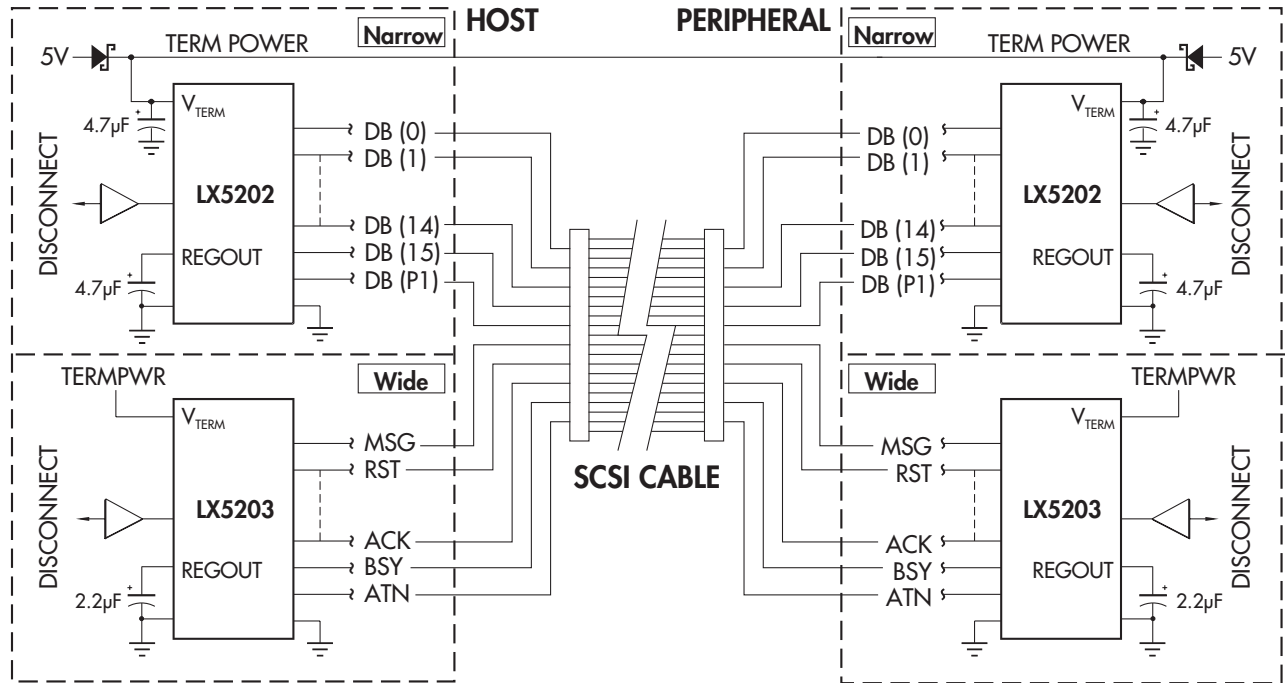
#### BLOCK DIAGRAM

FIGURE 1 — LX5202 BLOCK DIAGRAM



#### APPLICATION SCHEMATIC

FIGURE 2 — 8/16-BIT SCSI SYSTEM APPLICATION



PRODUCTION DATA - Information contained in this document is proprietary to Linfinity, and is current as of publication date. This document may not be modified in any way without the express written consent of Linfinity. Product processing does not necessarily include testing of all parameters. Linfinity reserves the right to change the configuration and performance of the product and to discontinue product at any time.