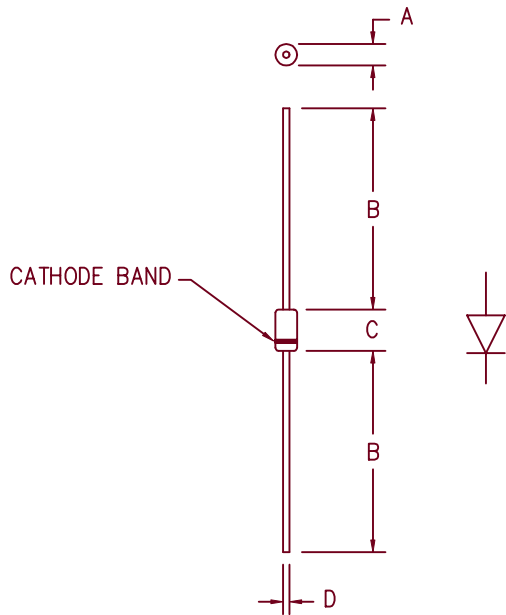


Ultra Fast Recovery Rectifiers UF160 — UF180



Dim.	Inches		Millimeter		Notes
	Minimum	Maximum	Minimum	Maximum	
A	.081	.107	2.057	2.718	Dia.
B	1.10	---	27.94	---	
C	.160	.205	4.064	5.207	
D	.028	.034	.711	.864	Dia.

PLASTIC D041

Microsemi Catalog Number	Working Peak Reverse Voltage	Repetitive Peak Reverse Voltage
UF160	600V	600V
UF170	700V	700V
UF180	800V	800V

- Ultra Fast Recovery
- 175°C Junction Temperature
- VRRM 600 to 800 Volts
- 1 Amp Current Rating
- t_{RR} 60nS Max.

Electrical Characteristics		
Average forward current	I _{F(AV)} 1.0 Amps	T _A = 110°C, Square wave, R _{θJL} = 15°C/W, L = 1/4"
Maximum surge current	I _{FSM} 25 Amps	8.3ms, half sine, T _J = 175°C
Max peak forward voltage	V _{FM} .89 Volts	I _{FM} = 0.1A: T _J = 25°C*
Max peak forward voltage	V _{FM} 1.2 Volts	I _{FM} = 1.0A: T _J = 25°C*
Max reverse recovery time	t _{RR} 60 nS	1/2A, 1A, 1/4A, T _J = 25°C
Max peak reverse current	I _{RM} 20 μA	V _{RRM} , T _J = 25°C
Typical junction capacitance	C _J 5.5 pF	V _R = 10V, T _J = 25°C

*Pulse test: Pulse width 300 μsec, Duty cycle 2%

Thermal and Mechanical Characteristics		
Storage temperature range	T _{STG}	-55°C to 175°C
Operating junction temp range	T _J	-55°C to 175°C
Maximum thermal resistance	L = 1/4" R _{θJL}	15°C/W Junction to Lead
Weight		.011 ounces (0.34 grams) typical

6-1-00 Rev. 1

UF160 — UF180

Figure 1
Typical Forward Characteristics

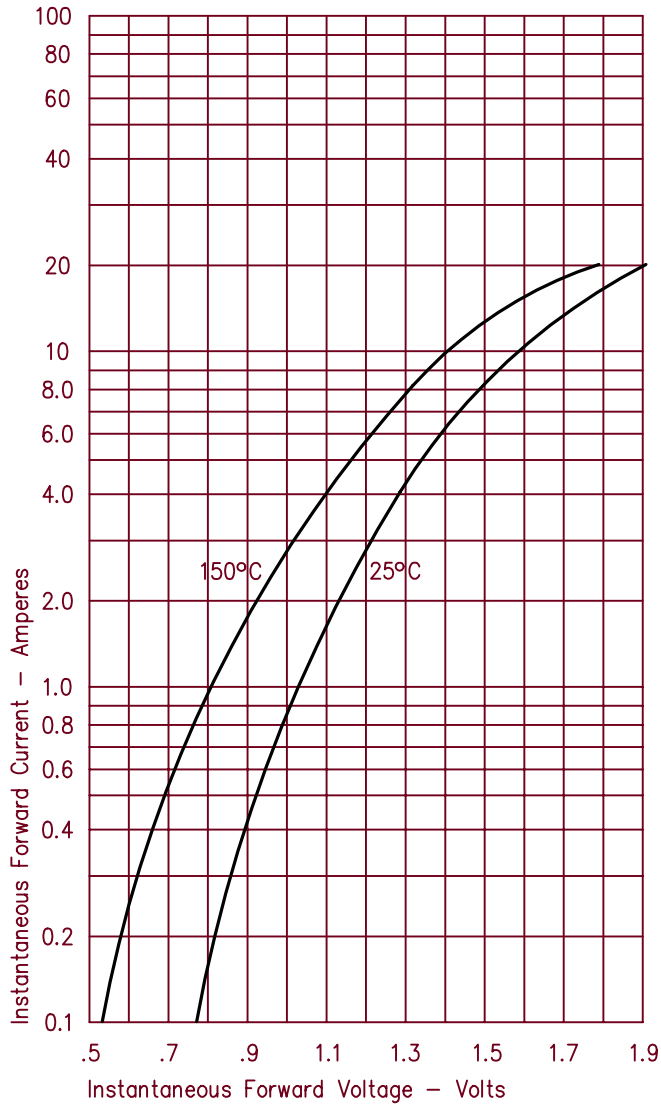


Figure 3
Typical Junction Capacitance

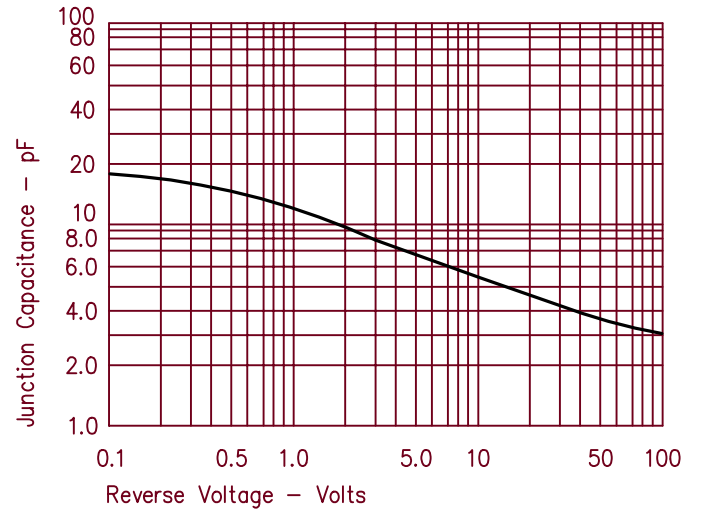


Figure 2
Typical Reverse Characteristics

