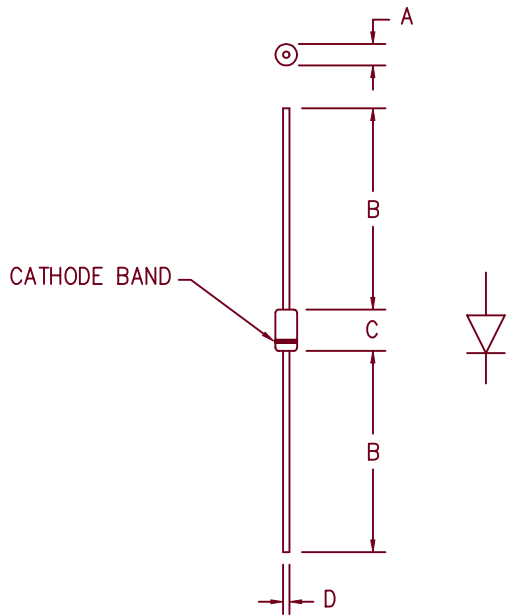


# Ultra Fast Recovery Rectifiers UF310 — UF320



Dim.	Inches		Millimeter		Notes
	Minimum	Maximum	Minimum	Maximum	
A	.188	.260	4.78	6.50	Dia.
B	1.00	---	25.4	---	
C	.285	.375	7.24	9.52	
D	.046	.056	1.17	1.42	Dia.

PLASTIC D0201AD

Microsemi Catalog Number	Working Peak Reverse Voltage	Repetitive Peak Reverse Voltage
UF310	100V	100V
UF315	150V	150V
UF320	200V	200V

- Ultra Fast Recovery
- 175°C Junction Temperature
- VRRM 100 to 200 Volts
- 3 Amp Current Rating
- $t_{RR}$  30 ns Max.

Electrical Characteristics		
Average forward current	I <sub>F(AV)</sub> 3.0 Amps	T <sub>A</sub> = 126°C, Square wave, R <sub>θJL</sub> = 17°C/W, L = 1/8"
Average forward current	I <sub>F(AV)</sub> 3.0 Amps	T <sub>A</sub> = 109°C, Square wave, R <sub>θJL</sub> = 23°C/W = 3/8"
Maximum surge current	I <sub>FSM</sub> 100 Amps	8.3ms, half sine, T <sub>J</sub> = 175°C
Max peak forward voltage	V <sub>FM</sub> .95 Volts	I <sub>FM</sub> = 3.0A; T <sub>J</sub> = 25°C*
Max reverse recovery time	t <sub>RR</sub> 30 ns	1/2A, 1A, 1/4A, T <sub>J</sub> = 25°C
Max peak reverse current	I <sub>RM</sub> 10 μA	V <sub>RRM</sub> , T <sub>J</sub> = 25°C
Typical junction capacitance	C <sub>J</sub> 38 pF	V <sub>R</sub> = 10V, T <sub>J</sub> = 25°C

\*Pulse test: Pulse width 300 μsec, Duty cycle 2%

Thermal and Mechanical Characteristics		
Storage temperature range	T <sub>STG</sub>	-55°C to 175°C
Operating junction temp range	T <sub>J</sub>	-55°C to 175°C
Maximum thermal resistance	L = 1/8" R <sub>θJL</sub>	17°C/W Junction to Lead
	L = 3/8" R <sub>θJL</sub>	23°C/W Junction to Lead
Weight		.011 ounces (0.34 grams) typical

7-18-00 Rev. 1

# UF310 — UF320

Figure 1  
Typical Forward Characteristics

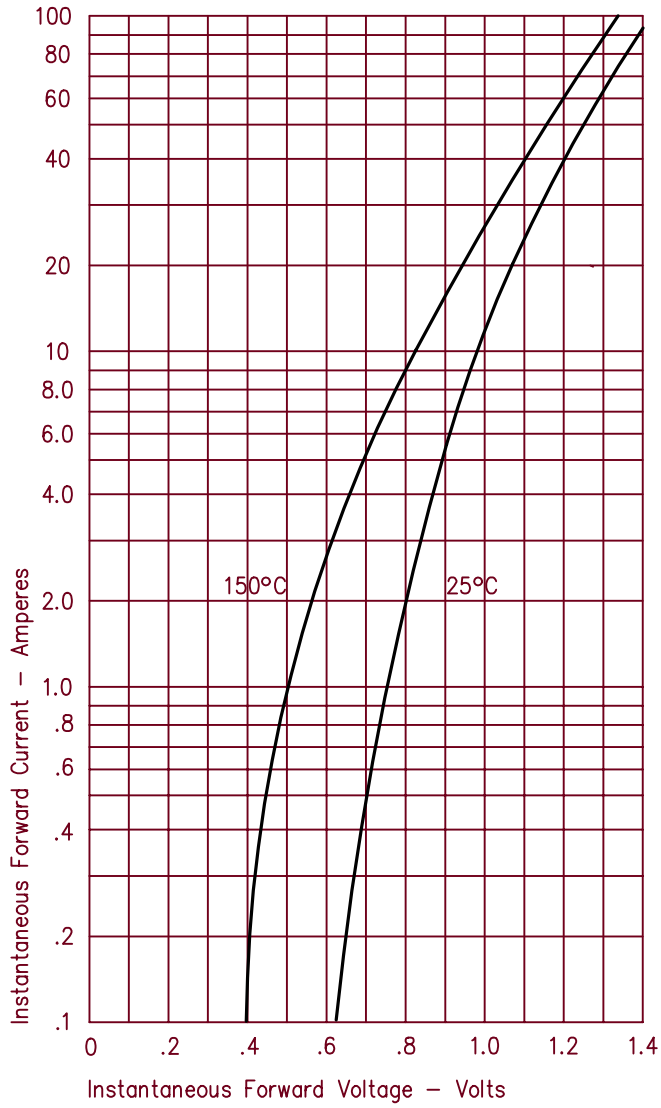


Figure 3  
Typical Junction Capacitance

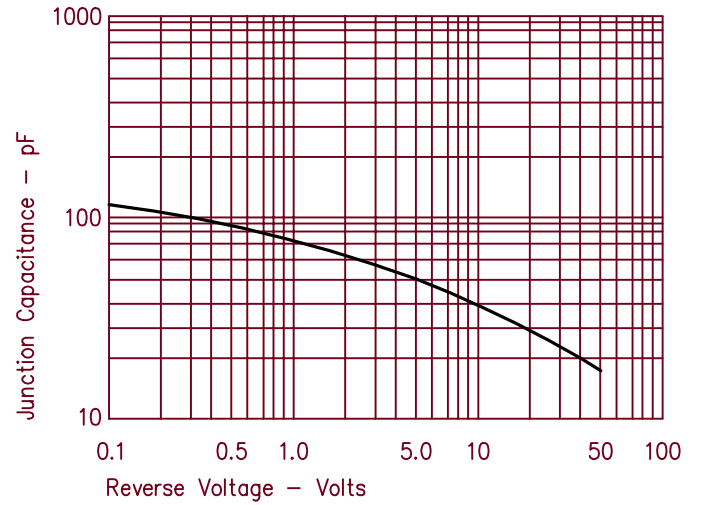


Figure 2  
Typical Reverse Characteristics

