

RECTIFIER ASSEMBLIES

673, 676 SERIES

Single Phase Bridges, 1.5Amp,
Standard and Fast Recovery

FEATURES

- Miniature Package
- Surge Ratings: to 25A
- PIV's: from 100 to 600V
- Recovery Times: to 500ns
- Controlled Avalanche Characteristics
- Only Fused-in-Glass Diodes Used

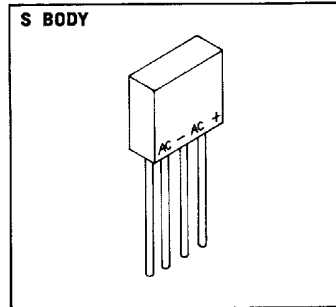
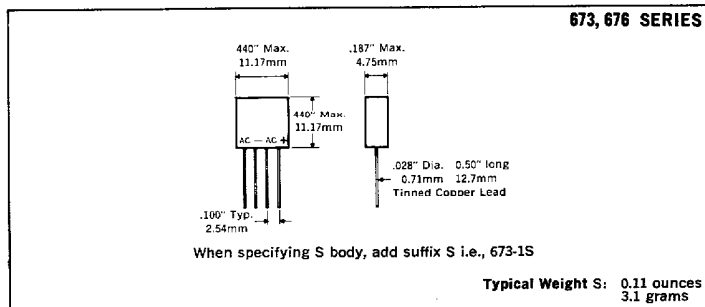
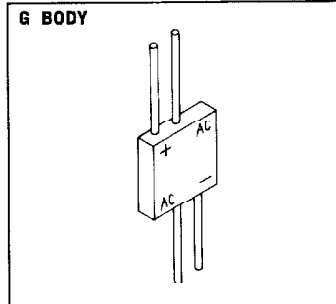
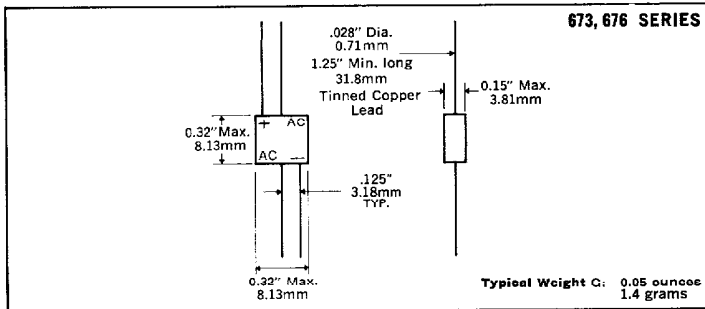
DESCRIPTION

These miniature transfer-molded single-phase power bridges are designed for universal application in power supplies. One basic bridge assembly comes in a choice of lead configurations for mounting in wired chassis or on printed boards.

ABSOLUTE MAXIMUM RATINGS

Peak Inverse Voltage	100 to 600V
Maximum Average D.C. Output Current	See Electrical Specifications
Non-Repetitive Sinusoidal Surge (8.3ms)	See Electrical Specifications
Operating and Storage Temperature Range	-65°C to +150°C
Thermal Resistance Junction to Ambient	50°C/W

MECHANICAL SPECIFICATIONS



MARKING

Alternating Current Input	A.C.
Cathode — Positive Output	+
Anode — Negative	-

Part number is printed on the body.

Microsemi Corp.
Watertown
The diode experts

Electrical Specifications (at 25°C unless noted)						Maximum Ratings		
Type	PIV Per Leg	Maximum Forward Drop Per Leg	Leakage Current Per Leg		Maximum Reverse Recovery Time†	Maximum Average D.C. Output Current T _A = 25°C	Non-Repetitive Sinusoidal Surge (8.3ms)	
			T _A = 25°C	T _A = 100°C				
	Volts		μA	μA	ns	Amps	Amps	
Standard Recovery	673-1	100	1.1V @ 1.0A	2	100	—	1.5	25
	673-2	200						
	673-3	300						
	673-4	400						
	673-5	500						
	673-6	600						
Fast Recovery	676-1	100	1.1V @ 0.5A	3	150	500	1.0	20
	676-2	200						
	676-3	300						
	676-4	400						
	676-5	500						
	676-6	600						

†Measured in a reverse recovery circuit switching from 10mA forward to 10mA reverse current recovering to 5mA.

