

2A, HALF-BRIDGE DRIVER

DESCRIPTION

The SG1635 is a monolithic integrated circuit designed to interface low-level logic signals with high-current, inductive, or capacitive loads. This device is particularly adept at high-speed pulse width modulation for motor drives or Class D audio amplifiers, and when used in pairs, they can provide full bridge drive for bi-directional control.

With TTL-compatible units, this device will either source or sink up to 5A of peak current with interlock protection to insure that source and sink cannot be on simultaneously. Additional protection is provided by thermal shutdown of the source output if the chip temperature rises above 160°C. High speed internal commutating diodes are also included.

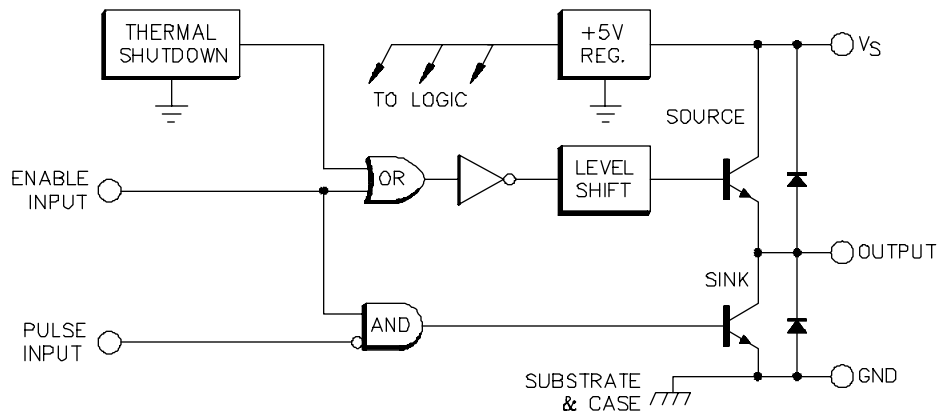
FEATURES

- Source or sink 5A peak
- Half-bridge with internal diodes
- TTL input compatibility
- Either dual- or tri-state output
- Direct PWM motor drive from microprocessor
- Built-in thermal protection
- SG3635P replaces UDN2935Z

HIGH RELIABILITY FEATURES - SG1635

- ◆ Available to MIL-STD-883
- ◆ LMI level "S" processing available

BLOCK DIAGRAM - SG1635/3635



TRUTH TABLE

Enable	Pulse	Output
0	0	High
0	1	High
1	0	Low
1	1	Off - High Z

1 = Open or High

ABSOLUTE MAXIMUM RATINGS (Note 1)

Supply Voltage (V_S)		Operating Junction Temperature	
SG1635/SG3635	40V	Hermetic (R - Package)	150°C
Input Voltage		Plastic (P - Package)	150°C
Enable and Pulse	7V	Storage Temperature Range	-65°C to 150°C
Source/Sink Output Current		Lead Temperature (Soldering, 10 Seconds)	300°C
Continuous	3A		
Peak	5A		

Note 1. Values beyond which damage may occur.

THERMAL DATA

R Package:

Thermal Resistance-Junction to Case, θ_{JC}	5.0°C/W
Thermal Resistance-Junction to Ambient, θ_{JA}	40°C/W

P Package:

Thermal Resistance-Junction to Case, θ_{JT}	4.0°C/W*
Thermal Resistance-Junction to Ambient, θ_{JA}	55°C/W

* = θ_{JT} (Junction to Tab)

Note A. Junction Temperature Calculation: $T_J = T_A + (P_D \times \theta_{JA})$.

Note B. The above numbers for θ_{JC} are maximums for the limiting thermal resistance of the package in a standard mounting configuration. The θ_{JA} numbers are meant to be guidelines for the thermal performance of the device/pc-board system. All of the above assume no ambient airflow.

RECOMMENDED OPERATING CONDITIONS (Note 2)

Supply Voltage (V_S)		Source/Sink Output Current	
SG1635/SG3635	8V to 35V	Continuous	2A
		Peak	3A
		Operating Ambient Temperature Range	
		SG1635	-55°C to 125°C
		SG3635	0°C to 70°C

Note 2. Range over which the device is functional.

ELECTRICAL CHARACTERISTICS

SG1635 and SG3635

(Unless otherwise specified, these specifications apply over the operating ambient temperatures for SG1635 with $-55^\circ\text{C} \leq T_A \leq 125^\circ\text{C}$, SG3635 with $0^\circ\text{C} \leq T_A \leq 70^\circ\text{C}$, and $+V_S = 24\text{V}$. Low duty cycle pulse testing techniques are used which maintains junction and case temperatures equal to the ambient temperature.)

Parameter	Test Conditions	SG1635/SG3635			Units
		Min.	Typ.	Max.	
Static Characteristics					
Logic 1 Input Voltage		2.0			V
Logic 0 Input Voltage				0.8	V
Input High Current	$V_{PULSE} = V_{ENABLE} = 4.5\text{V}$			200	μA
Input Low Current	$V_{PULSE} = V_{ENABLE} = 0\text{V}$			-3.2	mA
Output Leakage	$V_{PULSE} = V_{ENABLE} = 2.0\text{V}$				
	$V_{OUT} = 24\text{V}$			500	mA
	$V_{OUT} = 0\text{V}$			40	mA
Source Saturation Voltage	$V_{PULSE} = 2.0\text{V}, V_{ENABLE} = 0.8\text{V}, I_{OUT} = -2\text{A}$		2.0	3.0	V
Sink Saturation Voltage	$V_{PULSE} = 0.8\text{V}, V_{ENABLE} = 2.0\text{V}, I_{OUT} = 2\text{A}$		2.0	3.0	V
Diode Forward Voltage	$I_{DIODE} = \pm 2\text{A}$		2.0	3.0	V
Supply Current	$V_S = 35\text{V}$				
	$V_{PULSE} = 2.0\text{V}, V_{ENABLE} = 0.8\text{V}$			25	mA
	$V_{PULSE} = 0.8\text{V}, V_{ENABLE} = 2.0\text{V}$			70	mA

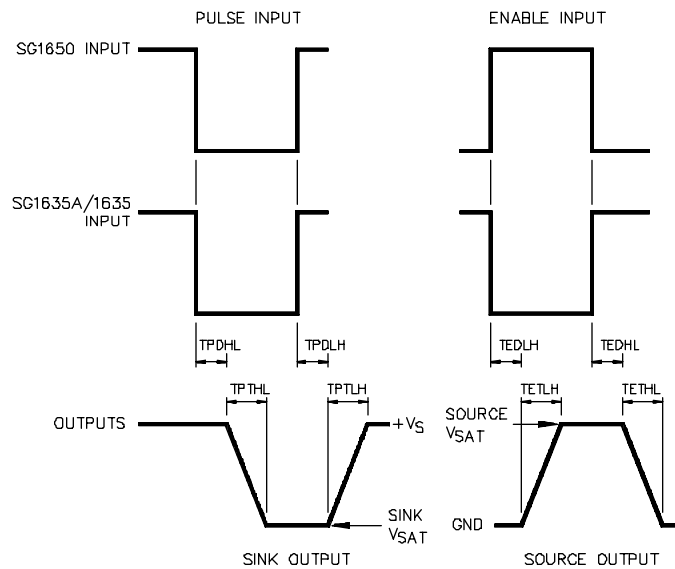
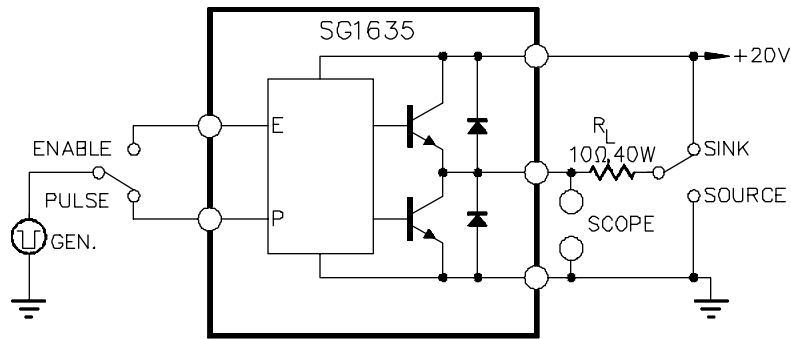
ELECTRICAL CHARACTERISTICS (continued)

Parameter	Definition	SG1635/3635			Units
		Min.	Typ.	Max.	
Dynamic Characteristics (Notes 3 and 4)					
Pulse Propagation Delay	Turn-On Delay (TPDHL)		50		ns
	Turn-Off Delay (TPDLH)		100		ns
Pulse Transition Time	Turn-On (TPTHL)		200		ns
	Turn-Off (TPTLH)		200		ns
Enable Propagation Delay	Turn-On Delay (TEDLH)		200		ns
	Turn-Off Delay (TEDHL)		100		ns
Enable Transition Time	Turn-On (TETLH)		100		ns
	Turn-Off (TETHL)		100		ns

Note 3. $T_j = 25^\circ\text{C}$.

Note 4. Although these parameters are guaranteed, they are not tested in production.

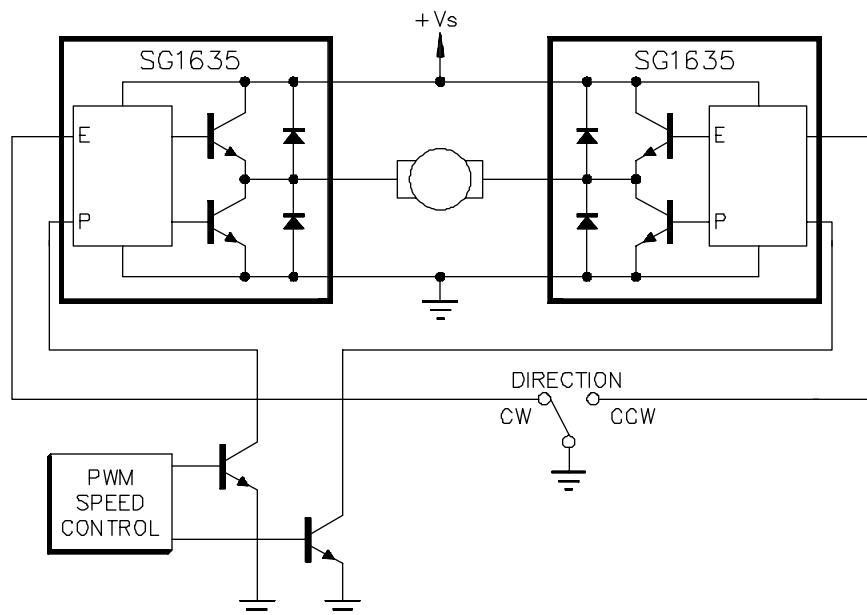
AC TEST CIRCUIT AND SWITCHING TIME WAVEFORMS - FIGURE 1



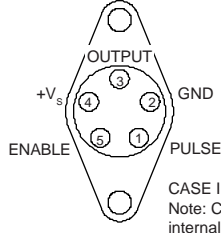
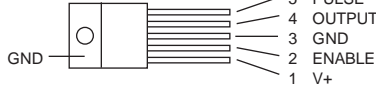
APPLICATION INFORMATION

TYPICAL MOTOR DRIVE APPLICATION

Two SG1635's form a full bridge motor drive circuit with the appropriate Enable Input, determining motor direction, and a PWM signal into the Pulse Inputs, determining speed. Because of the internal Enable interlock, both Pulse Inputs may be connected together to a single-ended PWM signal.



CONNECTION DIAGRAMS/ORDERING INFORMATION (See Notes Below)

Package	Part No.	Ambient Temperature Range	Connection Diagram
5-PIN TO-66 METAL CAN R - PACKAGE	SG1635R/883B SG1635R SG3635R	-55°C to 125°C -55°C to 125°C 0°C to 70°C	 <p>CASE IS GROUND Note: Case and tab are internally connected to substrate ground.</p>
5-PIN TO-220 PLASTIC P - PACKAGE	SG3635P	0°C to 70°C	 <p>Case + Tab are internally connected</p>

Notes: 1. Contact factory for JAN and DESC part availability.
2. All parts are viewed from the top.