

### TTL HA-160 Series

### Description

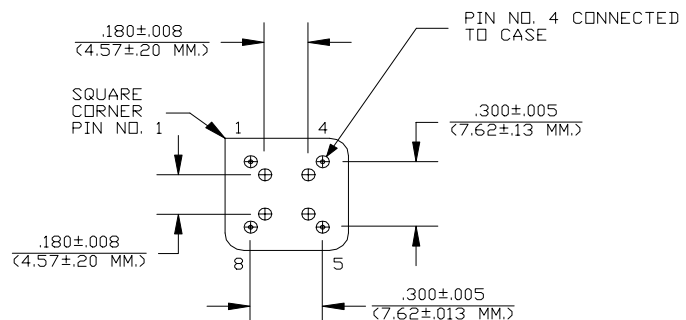
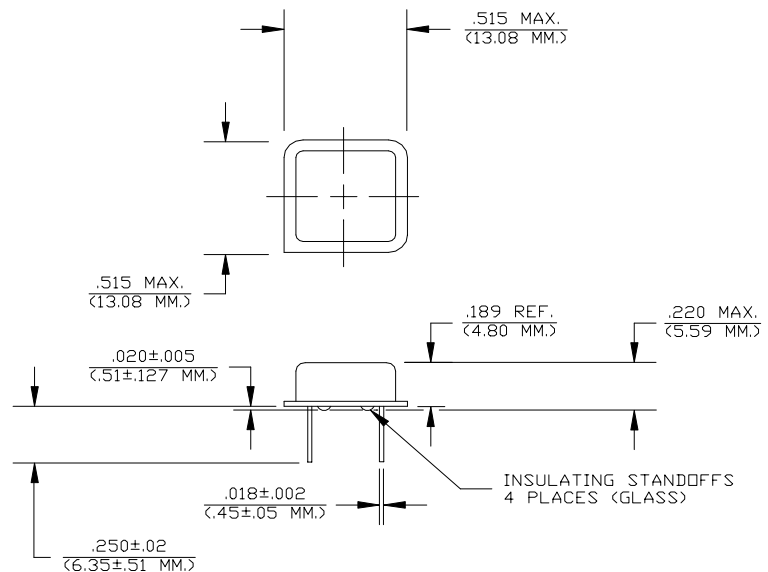
The **HA-160 Series** of quartz crystal oscillators are general purpose TTL oscillators. All units are resistance welded in an all metal package, offering RFI shielding, and are designed to survive standard wave soldering operations without damage. Insulated standoffs to enhance board cleaning are standard.

### Features

- Wide frequency range—0.5MHz to 85.0MHz
- User specified tolerance available
- Will withstand vapor phase temperatures of 253°C for 4 minutes maximum
- Space-saving alternative to discrete component oscillators
- High shock resistance, to 3000g
- All metal, resistance weld, hermetically sealed package
- Low Jitter
- High Q Crystal actively tuned oscillator circuit
- Power supply decoupling internal
- No internal PLL avoids cascading PLL problems
- High frequencies due to proprietary design
- Gold plated leads - Solder dipped leads available upon request
- Low power consumption

### Electrical Connection

Pin	Connection
1	N.C.
4	Grd & Case
5	Output
8	V <sub>CC</sub>



HS-160 Series Continued  
TTL

Rev. D

## Operating Conditions and Output Characteristics

### Electrical Characteristics

Parameter	Symbol	Conditions	Min	Typical	Max
Frequency	----	----	0.5MHz	----	85.0MHz
Duty Cycle	----	@ $V_{CC}/2$	40/60%	----	60/40%
Logic 0	$V_{OL}$	@ 16mA	----	----	0.4V
Logic 1	$V_{OH}$	@ 0.4mA	2.4V	----	----
Rise & Fall Time	$t_{r,f}$	@ 0.4 to 2.4V <40MHz	----	----	8.0 ns
		40MHz or greater	----	----	5.0 ns
Jitter, RMS <sup>(2)</sup>	----	<40MHz OT & >40MHz	----	----	5 psec
		<40MHz Fund	----	----	8 psec
Frequency Stability <sup>(1)</sup>	dF/F	Overall conditions including: voltage, calibration, temp., 10 yr aging, shock, vibration	-100ppm	----	+100ppm

### General Characteristics

Parameter	Symbol	Conditions	Min	Typical	Max
Supply Voltage	$V_{CC}$	----	4.75V	5.0V	5.25V
Supply Current	$I_{CC}$	No Load	0.0 mA	----	50 mA
Output current	$I_O$	----	0.0 mA	----	±16.0 mA
Operating temperature	$T_A$	----	0°C	----	70°C
Storage temperature	$T_S$	----	-55°C	----	125°C
Power Dissipation	$P_D$	----	----	----	263 mW
Lead temperature	$T_L$	Soldering, 10 sec.	----	----	300°C
Load	----	----	----	----	10 TTL gate
Start-up Time	$t_s$	<20MHz	----	----	2 ms
		20MHz or greater	----	----	10 ms

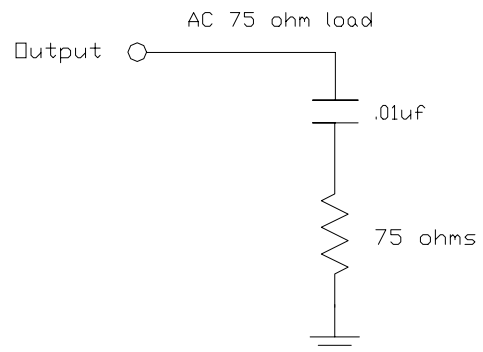
### Environmental and Mechanical Characteristics

Mechanical Shock	Per MIL-STD-202, Method 213, Condition E
Thermal Shock	Per MIL-STD-833, Method 1011, Condition A
Vibration	0.060" double amplitude 10 Hz to 55 Hz, 35g's 55Hz to 2000 Hz
Soldering Condition	300°C for 10 seconds
Hermetic Seal	Leak rate less than $1 \times 10^{-8}$ atm.cc/sec of helium

#### Footnotes:

- Standard frequency stability ( $\pm 20, \pm 25, \pm 50$ ppm & others available)
- Jitter performance is frequency dependent. Please contact factory for full characterization.

#### Test Load:



#### Creating a Part Number

HA - X16X - FREQ

#### Package Code

HA Leaded 4 pin (8 pin)  
SA Leaded 4 pin (8 pin) SMD  
Gull Wing

#### Input Voltage

Code Specification  
A 3.3V  
5V

#### Tolerance/Performance

0 ±100ppm 0-70°C  
1 ±50ppm 0-70°C  
7 ±25ppm 0-70°C  
9 Customer Specific  
A ±20ppm 0-70°C  
B ±50ppm -40 to +85°C  
C ±100ppm -40 to +85°C