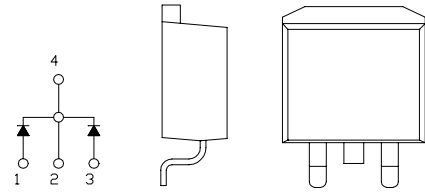


SBD Type : C20T03QLH

OUTLINE DRAWING

FEATURES

- *SQUARE-PAK TO-263AB(SMD)
Packaged in 24mm Tape and Reel
- *Dual Diodes – Cathode Common
- *Low Forward Voltage Drop
- *High Surge Capability
- *Tj=150 °C operation



Maximum Ratings

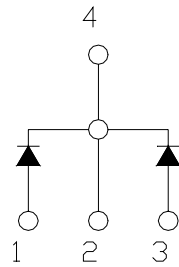
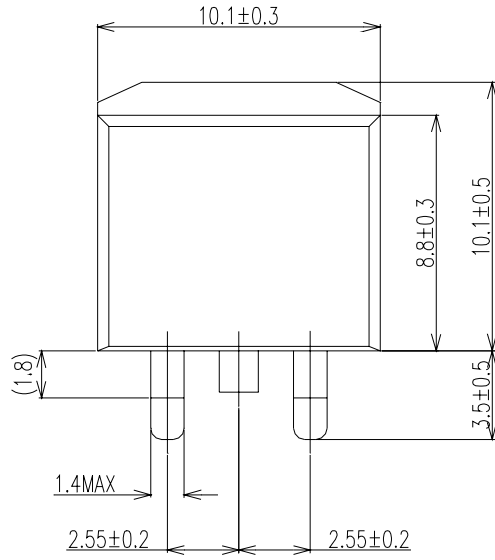
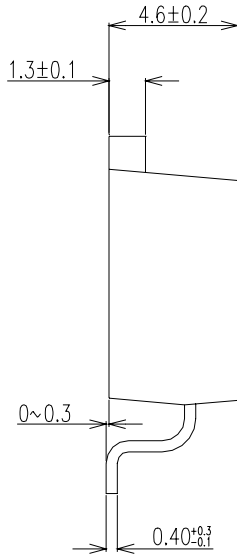
Approx Net Weight: 1.4g

Rating	Symbol	C20T03QLH			Unit
Repetitive Peak Reverse Voltage	V_{RRM}	30			V
Repetitive Peak Surge Reverse Voltage	V_{RRSM}	35(pulse width $\leq 1\mu s$ duty $\leq 1/50$)			V
Average Rectified Output Current	I_o	20	$T_c=128^\circ C$	50 Hz Full Sine Wave Resistive Load	A
RMS Forward Current	$I_{F(RMS)}$	22.2			A
Surge Forward Current	I_{FSM}	180	50Hz Full Sine Wave ,1cycle Non-repetitive		A
Operating JunctionTemperature Range	T_{jw}	-40 to +150			$^\circ C$
Storage Temperature Range	T_{stg}	-40 to +150			$^\circ C$

Electrical • Thermal Characteristics

Characteristics	Symbol	Conditions	Min.	Typ.	Max.	Unit
Peak Reverse Current	I_{RM}	$T_j= 25^\circ C, V_{RM}= V_{RRM}$ per arm	-	-	1	mA
Peak Forward Voltage	V_{FM}	$T_j= 25^\circ C, I_{FM}= 10 A$ per arm	-	-	0.54	V
Thermal Resistance	$R_{th(j-c)}$	Junction to Case	-	-	1.5	$^\circ C/W$

C20T03QLH OUTLINE DRAWING (Dimensions in mm)



SOLDERING PAD

